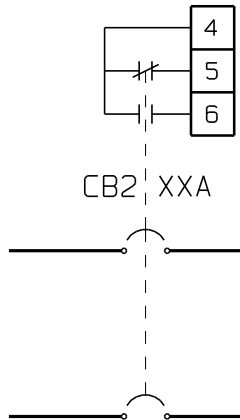
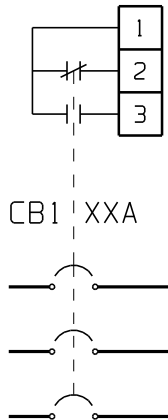
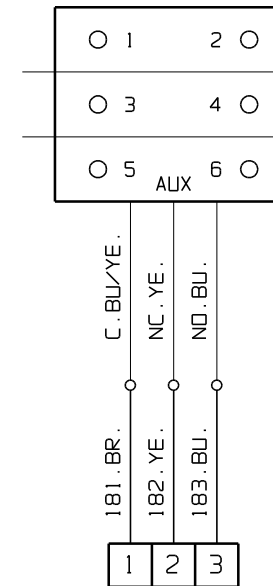


TB13
CKT BKR
AUX ALARM
TERMINAL
BLOCK
(NOTE 2)

TB13
CKT BKR
AUX ALARM
TERMINAL
BLOCK
(NOTE 2)

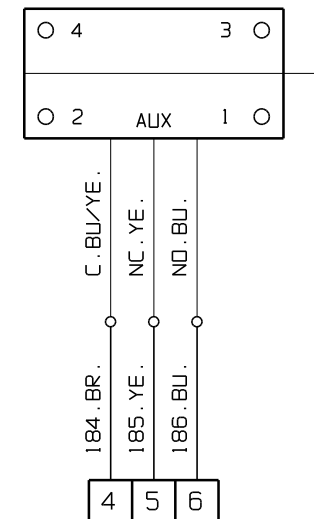


AC CIRCUIT
BREAKER CB1



TB13 AC CKT BKR
AUXILIARY SWITCH
TERMINAL BLOCK

DC CIRCUIT
BREAKER CB2



TB13 DC CKT BKR
AUXILIARY SWITCH
TERMINAL BLOCK

NOTES:

- 1) 3-POLE AC BREAKERS SHOWN. AUX CONTACT CONNECTIONS ARE THE SAME FOR 2-POLE AC BREAKERS (SINGLE PHASE).
- 2) ALL ALARM CONTACTS SHOWN IN NON-ALARM CONDITION. CONTACT RATING: 0.5A 125VAC/DC RESISTIVE.
- 3) USE #18 AWG BLACK HYPALON OR XLP WIRE WITH NUMBER-CODED MARKERS.

				 THIRD ANGLE PROJECTION	TITLE OPTION SCHEMATIC & WIRING: AT SERIES AC & DC BREAKER AUX ALARM CONTACTS			
								DRAWN BY MCR 012609 APPROVED
A	N/A	012609		UNLESS OTHERWISE NOTED DIMENSIONS ARE IN INCHES. TOLERANCES ARE:	SCALE NTS	PART No EJ5141-3X	SHEET 1 OF 1	
REV	ECN No	DATE	APP					