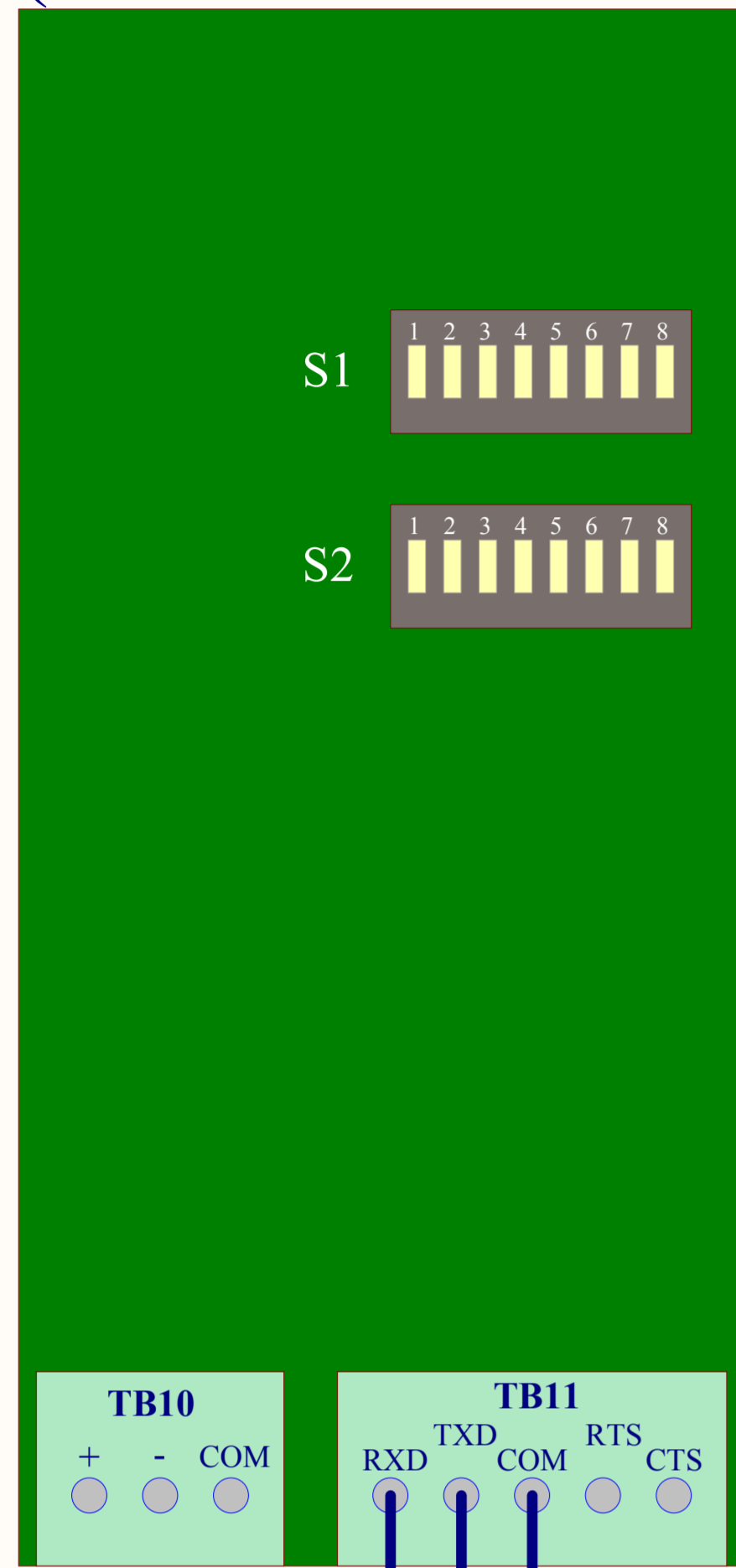


# EJ5037-04 AT Comm Option (EN5004 AT Comm Board)

## EN5004 DIP SWITCH S1 and S2

## PM5031-00 DIP SWITCH



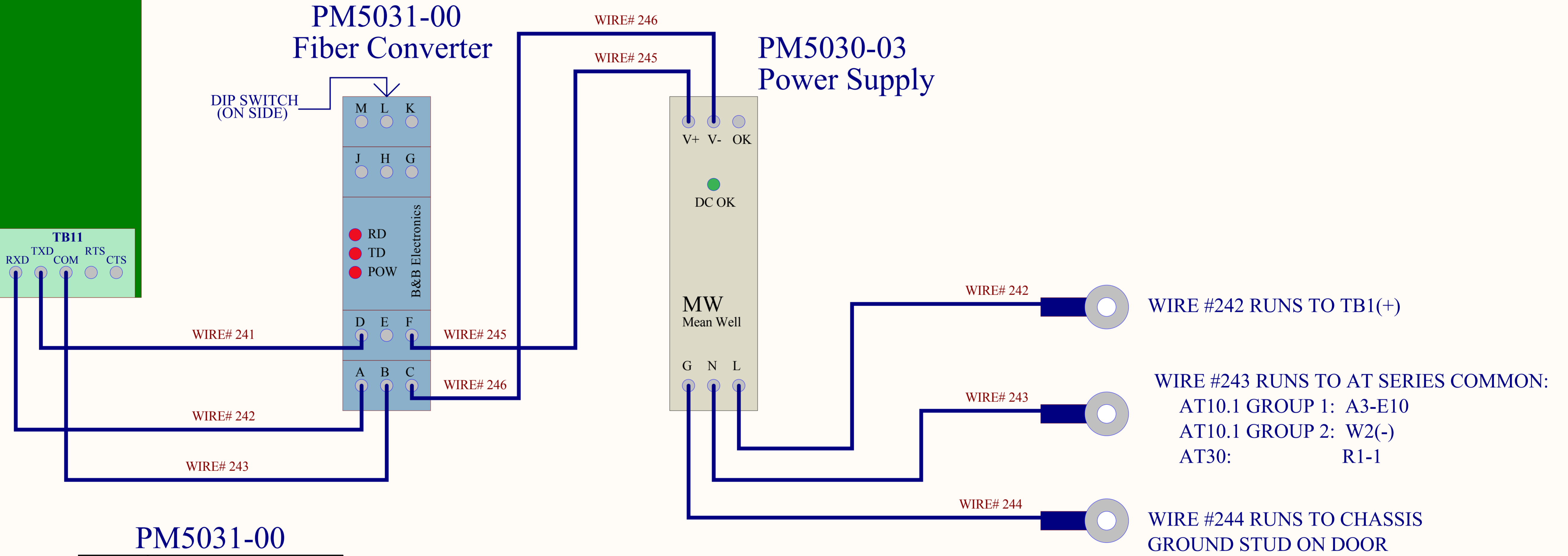
Switch S1	Description	Switch "ON"	Switch "OFF"	Default Settings	
				Modbus	DNP3
1	Setup Program	Enabled	Disabled	OFF	OFF
2	Configuration Parameters	User	Factory	OFF	OFF
3	Protocol	DNP3	Modbus	OFF	ON
4	Modbus Protocol	ASCII	RTU	OFF	OFF
5	Serial Port	RS-485	RS-232	OFF	OFF
6	RS-232 Handshaking	Enabled	Disabled	OFF	OFF
7	Baud Rate	19.2K	9600	OFF	OFF
8	Not Used	----	----	OFF	OFF

Switch S2	Modbus Address	Default Settings	
		Modbus	DNP3
1	Bit 7	OFF	OFF
2	Bit 6	OFF	OFF
3	Bit 5	OFF	OFF
4	Bit 4	OFF	OFF
5	Bit 3	OFF	OFF
6	Bit 2	OFF	OFF
7	Bit 1	OFF	OFF
8	Bit 0	ON	ON

Switch S1	Description	Switch "ON"	Switch "OFF"	Default
1	57.6 K Baud	57.6K	----	OFF
2	38.4K Baud	38.4K	----	OFF
3	19.2K Baud	19.2K	----	OFF
4	9600 Baud	9600	----	ON
5	4800 Baud	4800	----	OFF
6	Fiber Mode	Multi	Point-Point	OFF
7	RS-422/RS-485 Mode	RS-485	RS-422	ON
8	Duplex Mode	2-WIRE	4-WIRE	ON

## PM5031-00 Fiber Converter

## PM5030-03 Power Supply



## PM5031-00

Terminal	Signal
A	RS-232 RD
B	GND
C	GND
D	RS-232 TD
E	NO CONNECT
F	+10 to 30 VDC
G	RS-422/485 TDA(-)/DATA A(-)
H	RS-422/485 TDB(+)/DATA B(+)
J	+10 to 30 VDC
K	RS-422/485 RDA(-)/DATA A(-)
L	RS-422/485 RDB(+)/DATA B(+)

## PM5030-03

Terminal	Signal
V+	12VDC POWER SUPPLY (+)
V-	12 VDC POWER SUPPLY (-)
OK	POWER SUPPLY OK
G	CHASSIS GROUND
N	NEUTRAL / DCIN (-)
L	LINE / DCIN(+)

## EN5004 (TB11)

Terminal	Signal
RXD	RS-232 RD
TXD	RS-232 TD
COM	COMMON
RTS	RS-232 READY TO SEND
CTS	RS-232 CLEAR TO SEND

		THIRD ANGLE PROJECTION			
		DRAWN BY RDB 12/02/2010		TITLE AT Series 130V B&B Serial to Fiber Converter	
		ELECTRONIC ARROVAL SIGNATURES MAINTAINED BY MFG ECN LOG		DRAWING No EJ5230-04	
B		12/02/2010		REV B A	
REV	ECN No	DATE	SCALE NTS		PART No EJ5230-04
			SHEET 1 OF 1		