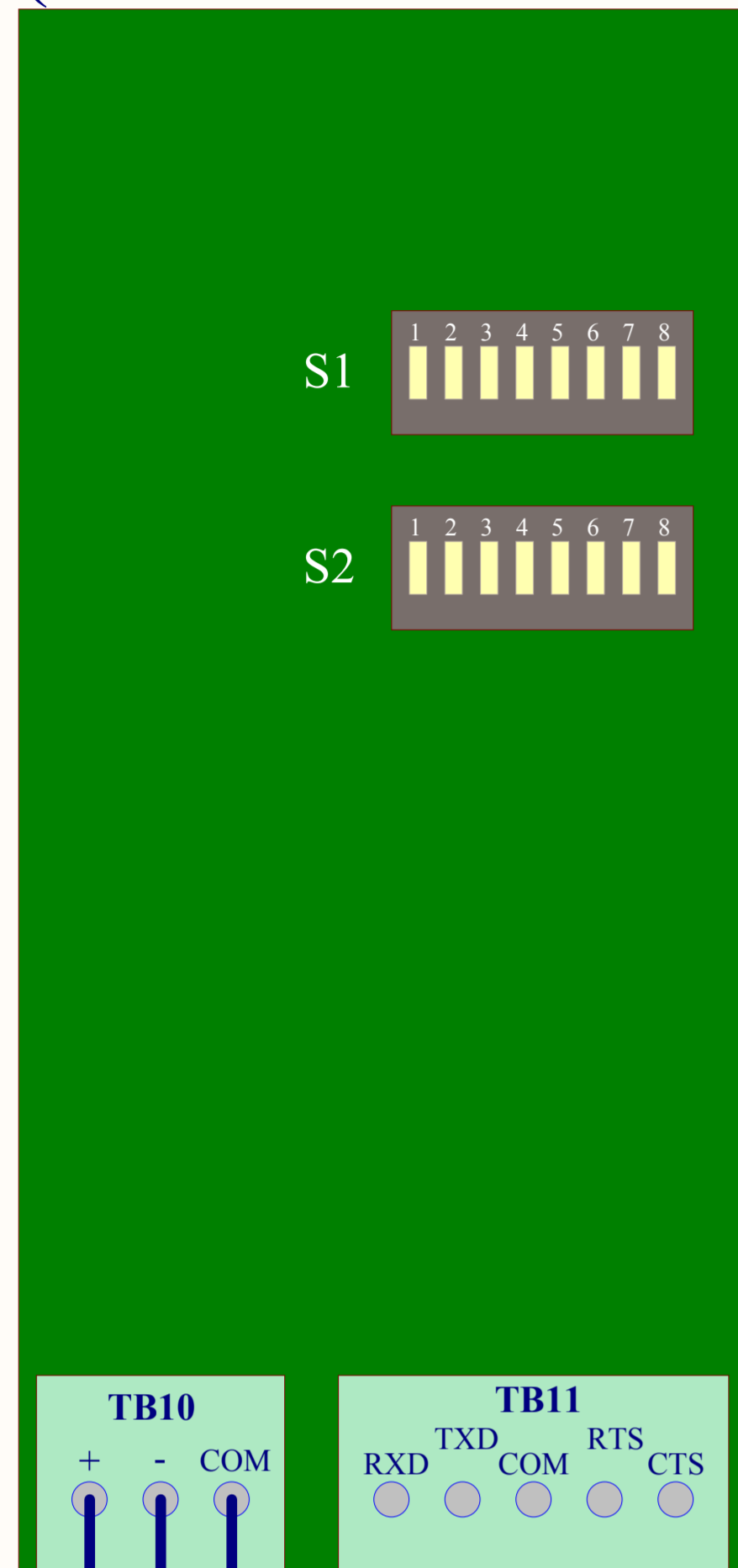


EJ5037-04 AT Comm Option (EN5004 AT Comm Board)



EN5004 DIP SWITCH S1 and S2

Switch S1	Description	Switch "ON"	Switch "OFF"	Default Settings	
				Modbus	DNP3
1	Setup Program	Enabled	Disabled	OFF	OFF
2	Configuration Parameters	User	Factory	OFF	OFF
3	Protocol	DNP3	Modbus	OFF	ON
4	Modbus Protocol	ASCII	RTU	OFF	OFF
5	Serial Port	RS-485	RS-232	ON	ON
6	RS-232 Handshaking	Enabled	Disabled	OFF	OFF
7	Baud Rate	19.2K	9600	OFF	OFF
8	Not Used	----	----	OFF	OFF

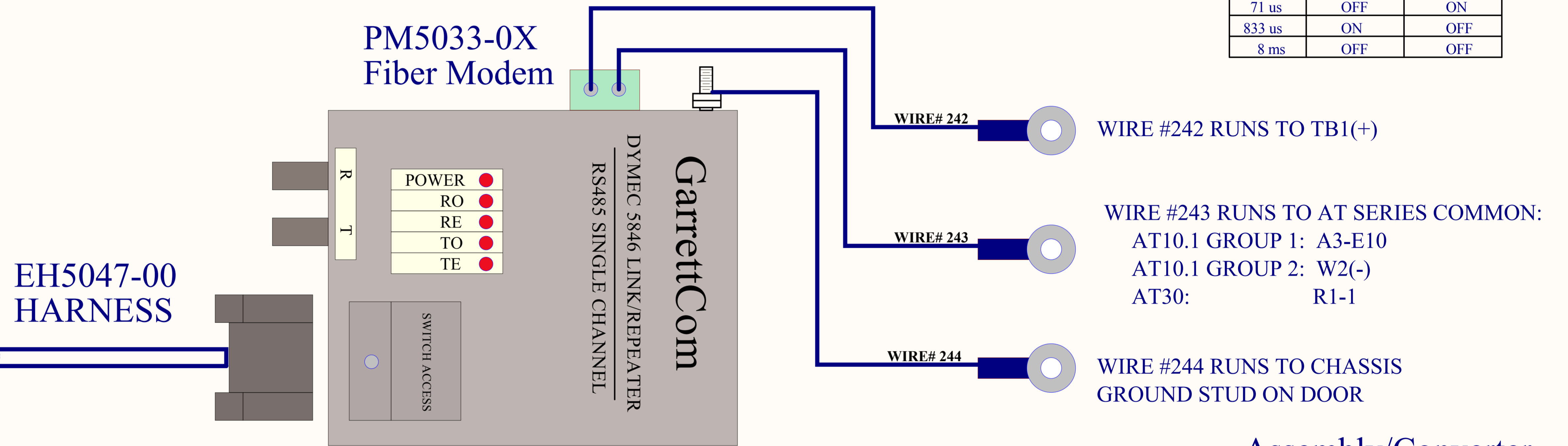
Switch S2	Modbus Address	Default Settings	
		Modbus	DNP3
1	Bit 7	OFF	OFF
2	Bit 6	epOFF	OFF
3	Bit 5	OFF	OFF
4	Bit 4	OFF	OFF
5	Bit 3	OFF	OFF
6	Bit 2	OFF	OFF
7	Bit 1	OFF	OFF
8	Bit 0	ON	ON

PM5033-0X DIP SWITCH

Switch	Description	Switch "ON"	Switch "OFF"	Default
1	Bias Resistor	IN	OUT	ON
2	Bias Resistor	IN	OUT	ON
3	Test Mode	TEST	NORMAL	OFF
4	Repeat Mode	REPEAT	NORMAL	OFF
5	Data Coupling	DC	AC	ON
6	Duplex Mode	HALF	FULL	ON
7	Invert/Norm	INVERT	NORMAL	ON
8	HLD OVR1	(see table)	(see table)	OFF
9	HLD OVR 0	(see table)	(see table)	OFF
10	(Not Used)	----	----	----

Holdover Time Switch Settings

Time	HLD OVR1 (switch 8)	HLD OVR0 (switch 9)
4 us	ON	ON
71 us	OFF	ON
833 us	ON	OFF
8 ms	OFF	OFF



EN5004 (TB11)

Terminal	Signal
(+)	TD/RD A (+)
(-)	TD/RD B (-)
COM	COMMON

EH5047-00

Pin	Color	Signal
1	Black	TD/RD B (-)
2	Brown	TD/RD A (+)
3	Red	No Connect
4	Orange	No Connect
5	Yellow	Signal GND
6	Green	Earth GND
7	Blue	Repeat EN/DIS
8	Gray	Optical EN/DIS
9	White	+9 - 15 VDC
SHLD	Black/White	SHIELD

Assembly/Converter

Charger	Assembly	Converter
12V	EJ5230-11	PM5033-00
24V	EJ5230-12	PM5033-01
48V	EJ5230-13	PM5033-01
130V	EJ5230-14	PM5033-02

			 THIRD ANGLE PROJECTION				
			DRAWN BY RDB 05/06/2011		TITLE AT Series DYMEC RS-485 Fiber Modem		
			ELECTRONIC APPROVAL SIGNATURES MAINTAINED BY MFG ECN LOG		DRAWING No EJ5230-1X		REV A
			UNLESS OTHERWISE NOTED DIMENSIONS ARE IN INCHES, TOLERNCES ARE:		SCALE NTS		PART No EJ5230-1X
REV	ECN No	DATE			SHEET 1		OF 1