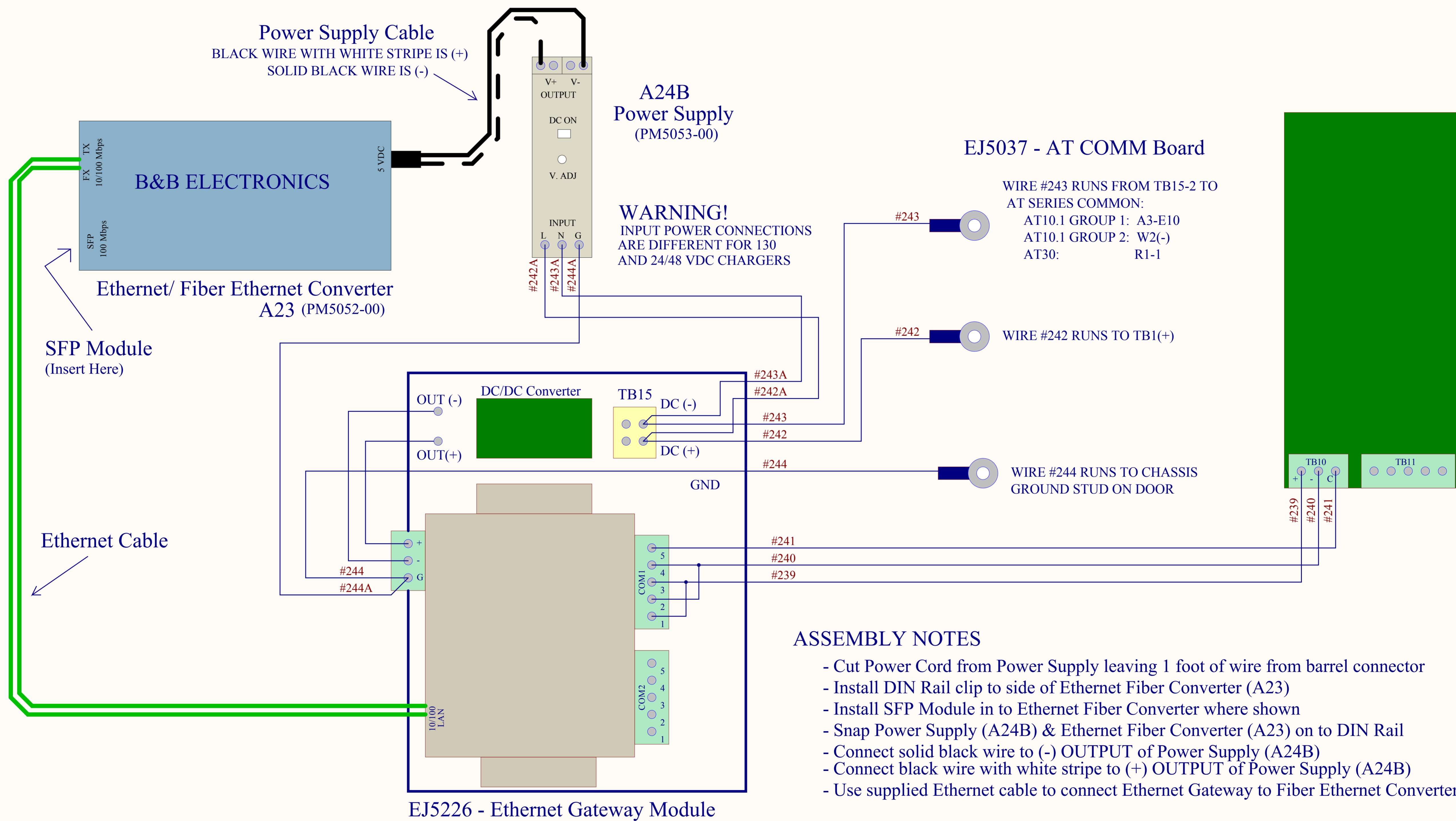


# WIRING SHOWN FOR 130 VDC CHARGERS ONLY



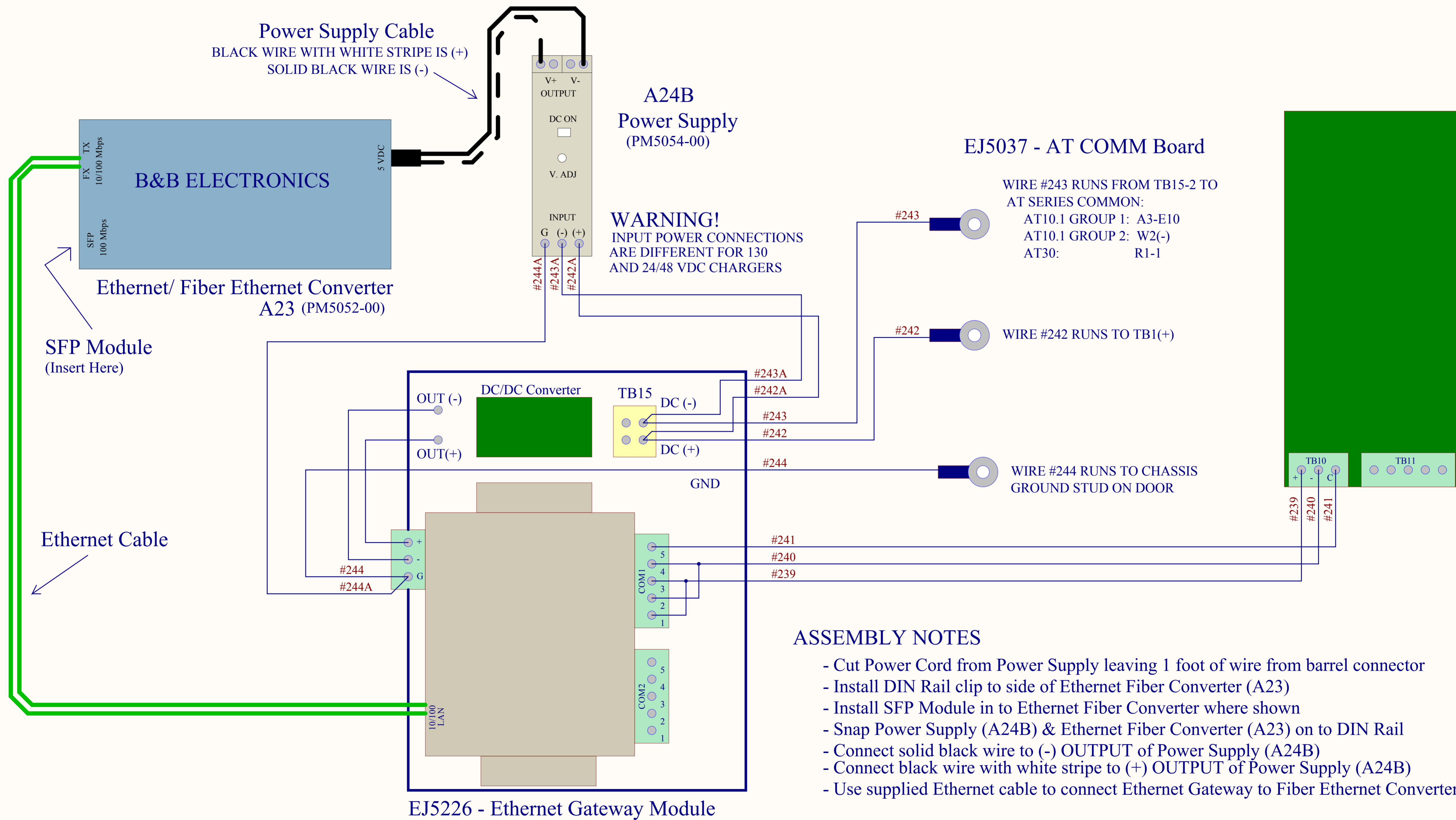
## ASSEMBLY NOTES

- Cut Power Cord from Power Supply leaving 1 foot of wire from barrel connector
- Install DIN Rail clip to side of Ethernet Fiber Converter (A23)
- Install SFP Module in to Ethernet Fiber Converter where shown
- Snap Power Supply (A24B) & Ethernet Fiber Converter (A23) on to DIN Rail
- Connect solid black wire to (-) OUTPUT of Power Supply (A24B)
- Connect black wire with white stripe to (+) OUTPUT of Power Supply (A24B)
- Use supplied Ethernet cable to connect Ethernet Gateway to Fiber Ethernet Converter

EJ5226-03 Modbus (130V Charger)  
EJ5226-13 DNP3 (130V Charger)

			THIRD ANGLE PROJECTION					
			DRAWN BY	RDB	05/25/2016	TITLE		AT Fiber Ethernet Option Assembly
			ELECTRONIC APPROVAL SIGNATURES MAINTAINED BY MFG ECN LOG			DRAWING No		EJ5284-XX.Asm
1	27184	04/12/2019	UNLESS OTHERWISE NOTED DIMENSIONS ARE IN INCHES, TOLERNCES ARE:			REV		1
REV	ECN No	DATE	SCALE		NTS	PART No	EJ5284	SHEET 1 OF 2

# WIRING SHOWN FOR 24 & 48 VDC CHARGERS ONLY



- EJ5226-01 Modbus (24V Charger)
- EJ5226-02 Modbus (48V Charger)
- EJ5226-11 DNP3 (24V Charger)
- EJ5226-12 DNP3 (48V Charger)

			 THIRD ANGLE PROJECTION			
			DRAWN BY	RDB	05/25/2016	TITLE
			ELECTRONIC APPROVAL SIGNATURES MAINTAINED BY MFG ECN LOG			AT Fiber Ethernet Option Assembly
1	27184	04/12/2019	UNLESS OTHERWISE NOTED DIMENSIONS ARE IN INCHES, TOLERNCES ARE:			DRAWING No
REV	ECN No	DATE				EJ5284-XX.Asm
			SCALE	NTS	PART No	REV
			EJ5284		1	<b>B</b>
			SHEET		2	OF 2