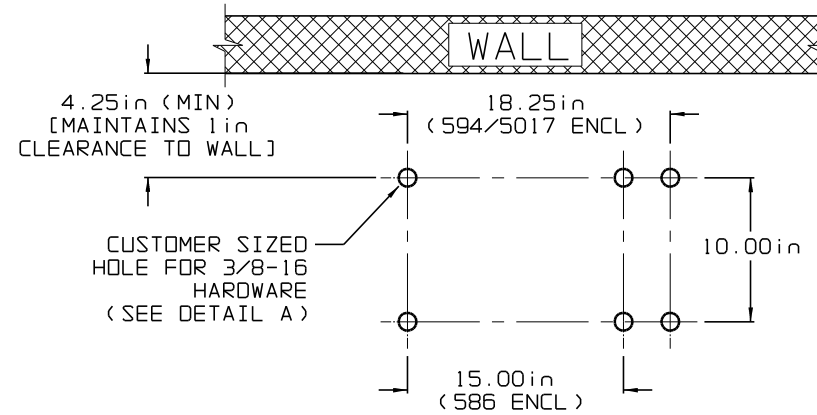


OUTLINE DIMENSIONS

ENCL STYLE	"A"	"B"	"C"	"D"
586	46.63	31.13	12.50	16.50
594	47.75	30.00	15.00	19.75
5017	45.50	19.25	17.00	19.75

DRILLING TEMPLATE



RECOMMENDED PROCEDURE

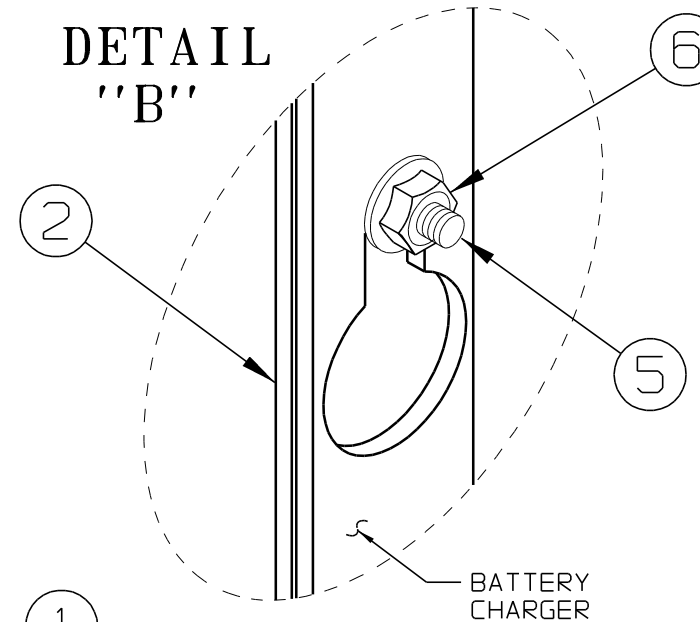
- 1) CREATE LEFT AND RIGHT SUB-ASSEMBLIES BY MOUNTING ITEM 1 TO ITEM 2 WITH INCLUDED HARDWARE (SEE PICTORIAL VIEW AND DETAIL "A")
- 2) MOUNT SUB-ASSEMBLIES (FROM STEP 1) TO MOUNTING SURFACE WITH USER SUPPLIED HARDWARE (NOT INCLUDED) (SEE DRILLING TEMPLATE AT LEFT AND DETAIL "A")
- 3) MOUNT BATTERY CHARGER TO ASSEMBLY USING SUPPLIED HARDWARE AS SHOWN (SEE PICTORIAL VIEW AND DETAIL "B")

TORQUE SPECIFICATIONS

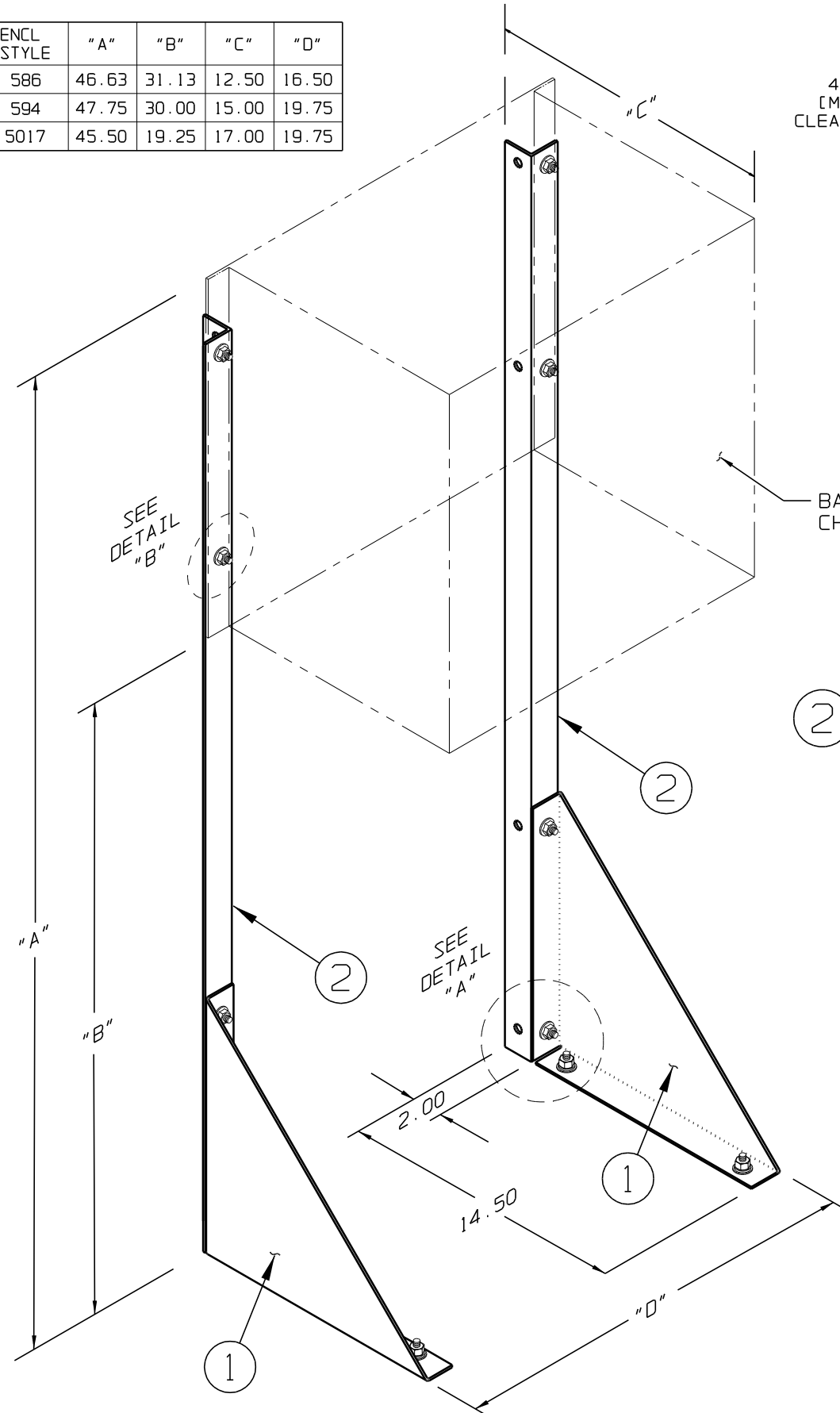
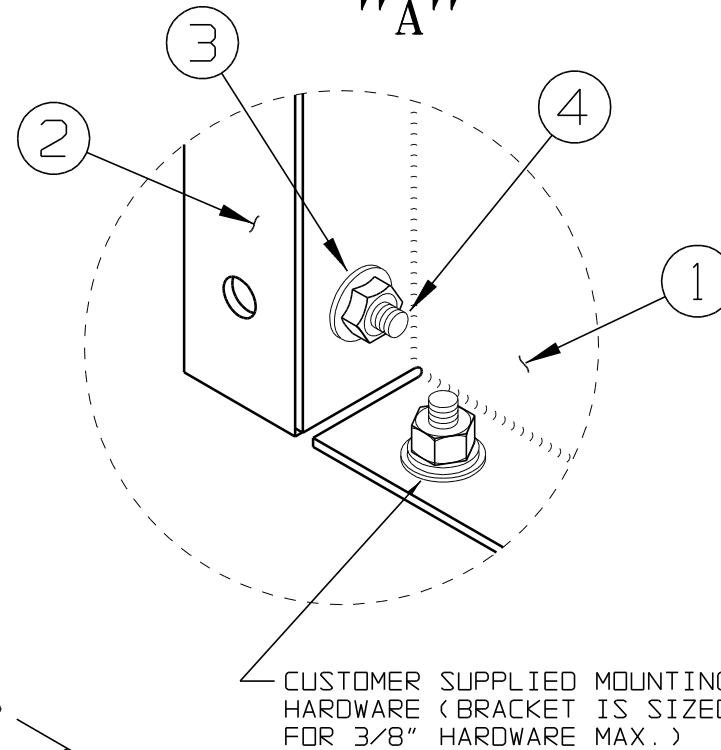
BOLT SIZE	TORQUE RANGE
8	10-15
10	16-24
1/4	57-77
5/16	119-158
3/8	17-23 (*)
1/2	43-57 (*)

ALL TORQUE RANGES ARE IN IN-LBS EXCEPT AS NOTED (*) RATED IN FT-LBS

DETAIL "B"



DETAIL "A"



BILL OF MATERIAL: EI0192-00

ITEM NUMBER	PART No.	DESCRIPTION	QUANTITY PER ASSY
①	FC0608-00	BKT, FLOOR-MOUNTING-BASE, AT10	2
②	FC0611-00	BKT, FLOOR-MTG-ANGLE, AT10	2
③	PE0269-09	NUT, ZPS, 3/8-16, SERRATED-FLANGE	4
④	PE0027-04	SCW, ZPS, HHTB, 3/8-16X1.00	4
⑤	PE0025-02	SCW, ZPS, HHTB, 1/4-20X0.75	4
⑥	PE0269-07	NUT, ZPS, 1/4-20, SERRATED-FLANGE	4
-	JA0083-00	CUSTOMER INSTRUCTIONS	1

4	21594	040209	ND	THIRD ANGLE PROJECTION	TITLE AT10.1 SERIES FLOOR MOUNTING BRACKET CUSTOMER INSTALLATION INSTRUCTIONS
3	E1405	092603	WA		
2	9896	051893	N/A	DRAWN BY <i>PAC</i>	040692
1	9736	041393	WAH	APPROVED WAH	040792
0	8696	040692	WAH	UNLESS OTHERWISE NOTED DIMENSIONS ARE IN INCHES. TOLERANCES ARE:	
REV	ECN No	DATE	APP	DRAWING No JA0083-00 REV 4 B	
SCALE NTS		PART No JA0083-00		SHEET 1 OF 1	