

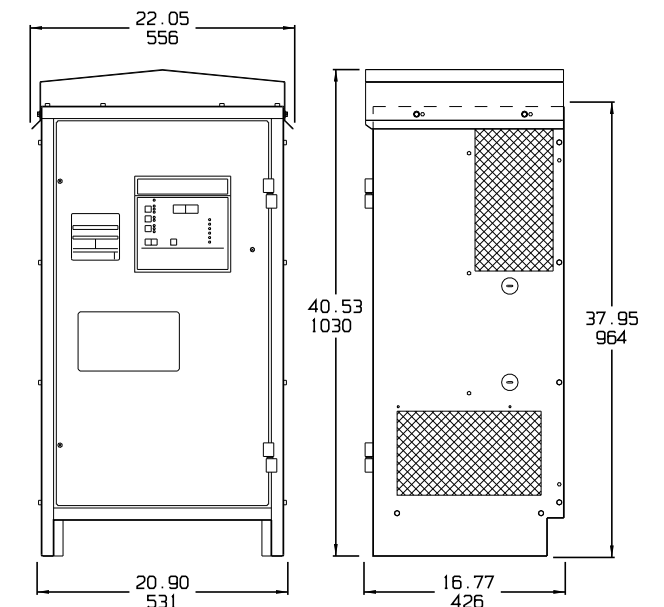
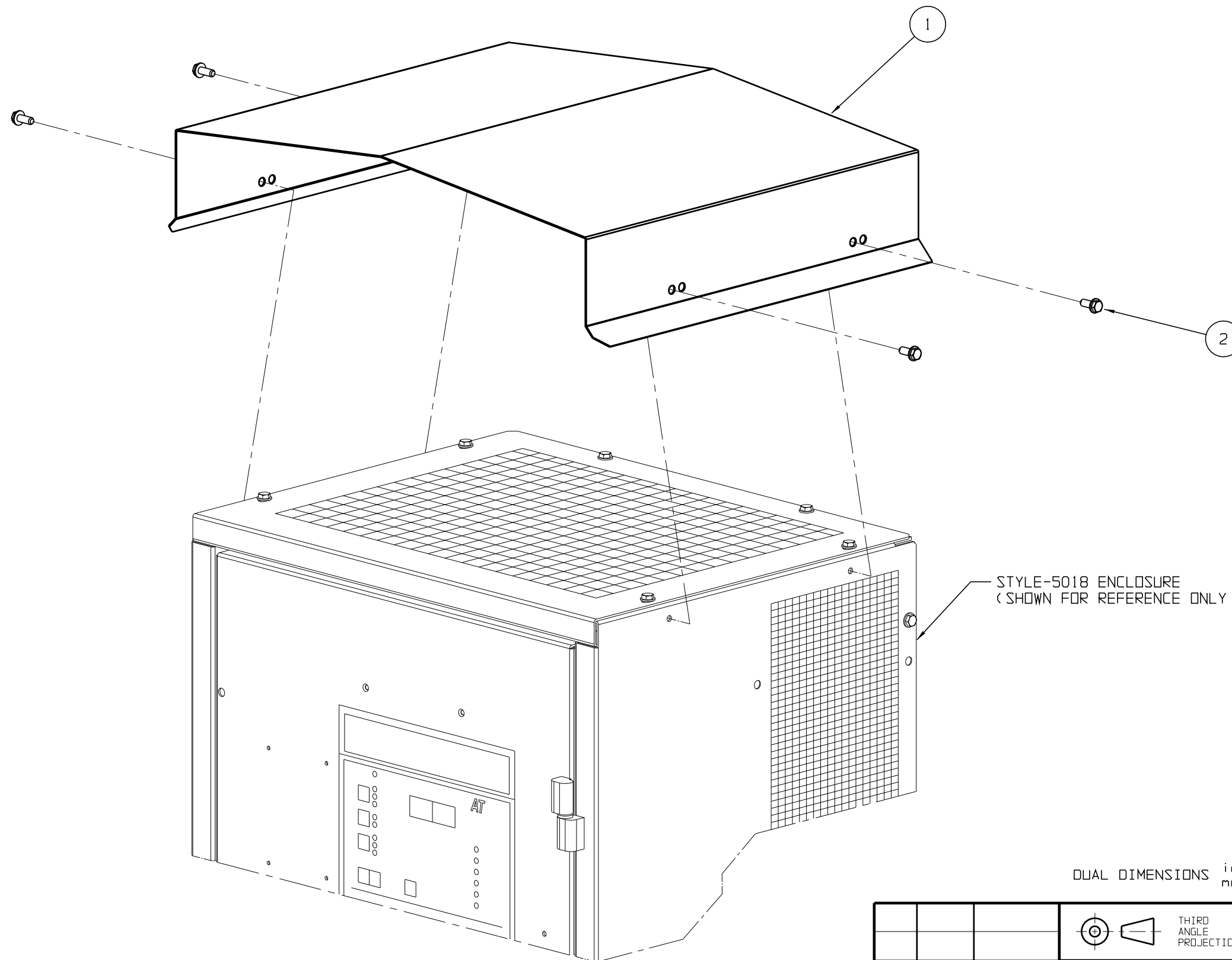
**GENERAL INFORMATION:**

BEFORE YOU START, PLEASE CHECK THE FOLLOWING:

- A) DO I HAVE THE CORRESPONDING BOM FOR THE ASSEMBLY BEING BUILT?
- B) DO I HAVE ALL THE PARTS LISTED ON THE BILL OF MATERIAL (BOM)?
- C) NUMBERED BALLOONS CORRESPOND TO THE SEQUENCE No. ON THE BOM.
- D) FOLLOW ALL SAFETY AND QUALITY PROCESSES THIS ASSEMBLY REQUIRES.

**ASSEMBLY PROCEDURE(S)**

- 1) PLACE THE DRIP SHIELD (ITEM 1) AS SHOWN ON TOP OF YOUR STYLE-5018 BATTERY CHARGER ENCLOSURE. NOTICE THE NOTCHES ON THE SHIELD ARE FACING THE FRONT OF THE CABINET.
- 2) ALIGN THE REAR SET OF HOLES ON THE DRIP SHIELD (ITEM 1) WITH THE PRE-PUNCHED HOLES ON YOUR ENCLOSURE.
- 3) SECURE THE DRIP SHIELD TO THE ENCLOSURE BY USING THE SUPPLIED 0.25-20 x 0.625in SELF-CUTTING SCREW (ITEM 2) AS SHOWN.



DUAL DIMENSIONS in mm

			THIRD ANGLE PROJECTION			
			DRAWN BY <i>QA</i> 090606 ELECTRONIC APPROVAL SIGNATURES MAINTAINED BY MFG ECN LOG		TITLE END USER INSTALLATION INSTRUCTIONS: ST-5018 NEMA TYPE-2 DRIP SHIELD ACSY: EI0191-02	
0	20323	090606	UNLESS OTHERWISE NOTED DIMENSIONS ARE IN INCHES. TOLERANCES ARE:		DRAWING No JA0092-02 REV OC <b>B</b>	
REV	ECN No	DATE	SCALE	NTS	PART No	JA0092-02 SHEET 1 OF 1