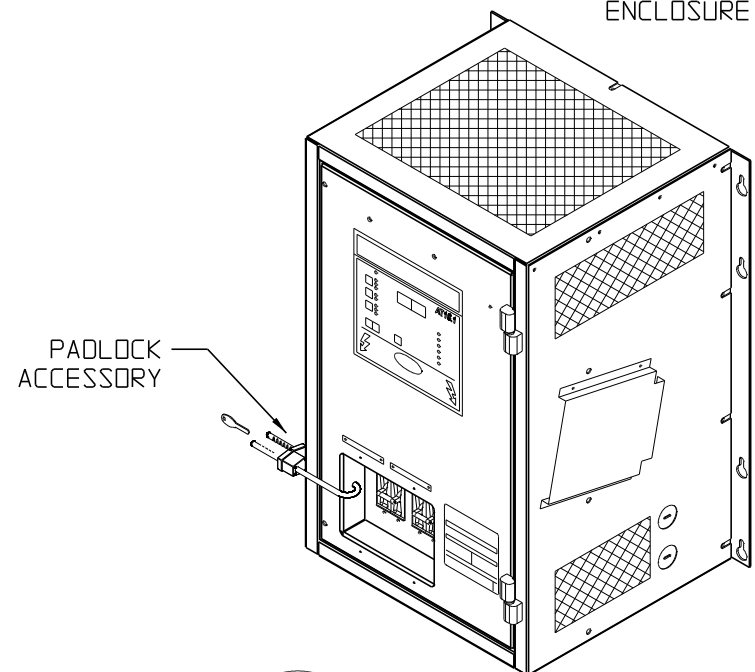
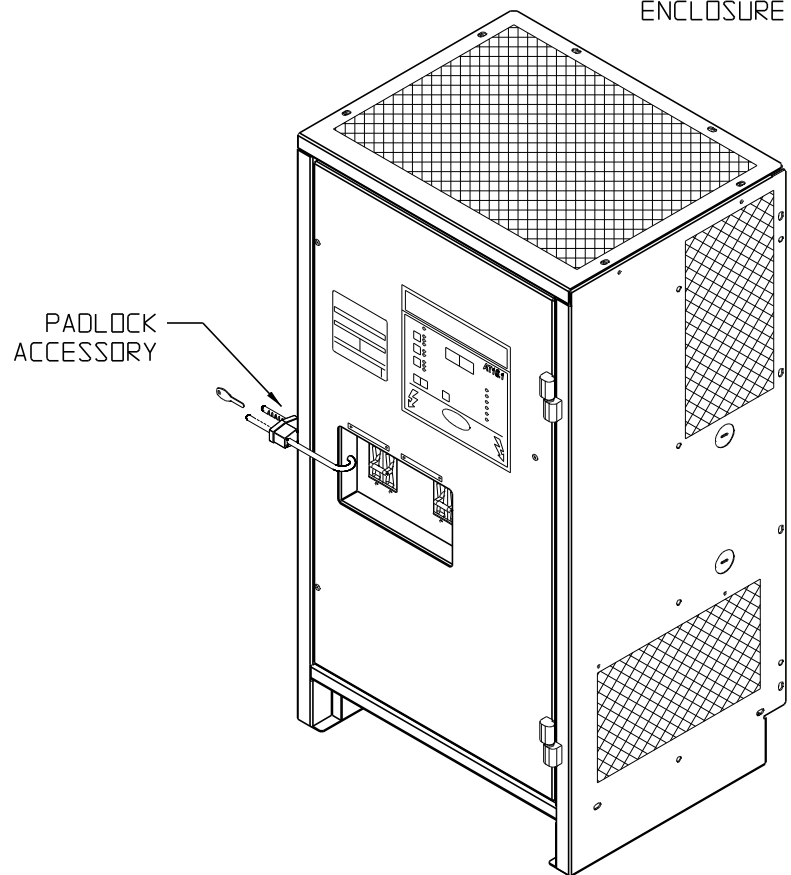


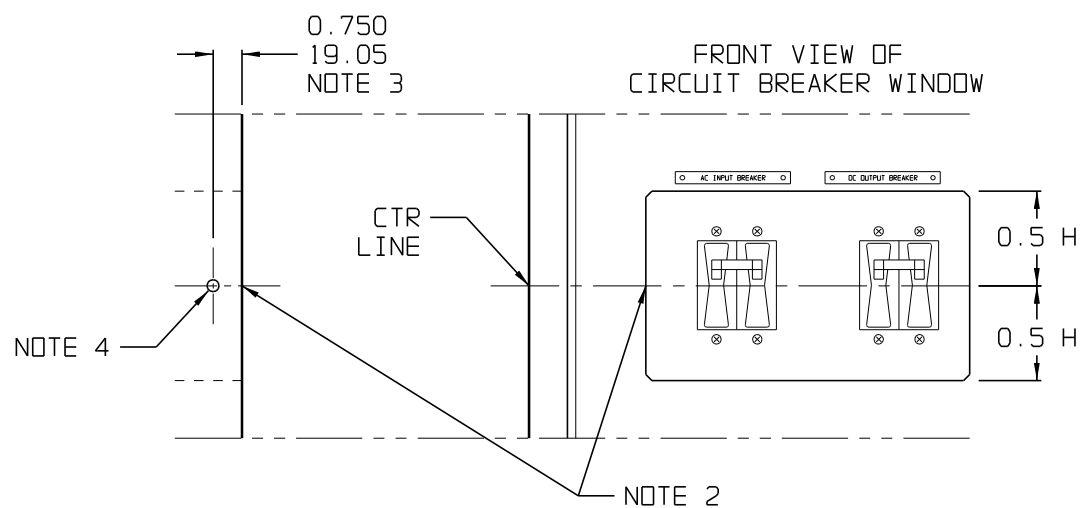
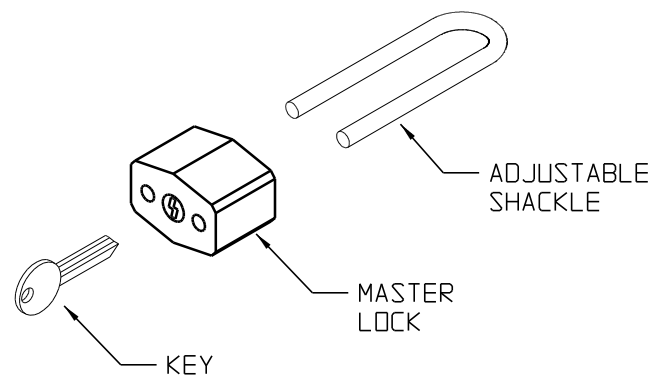
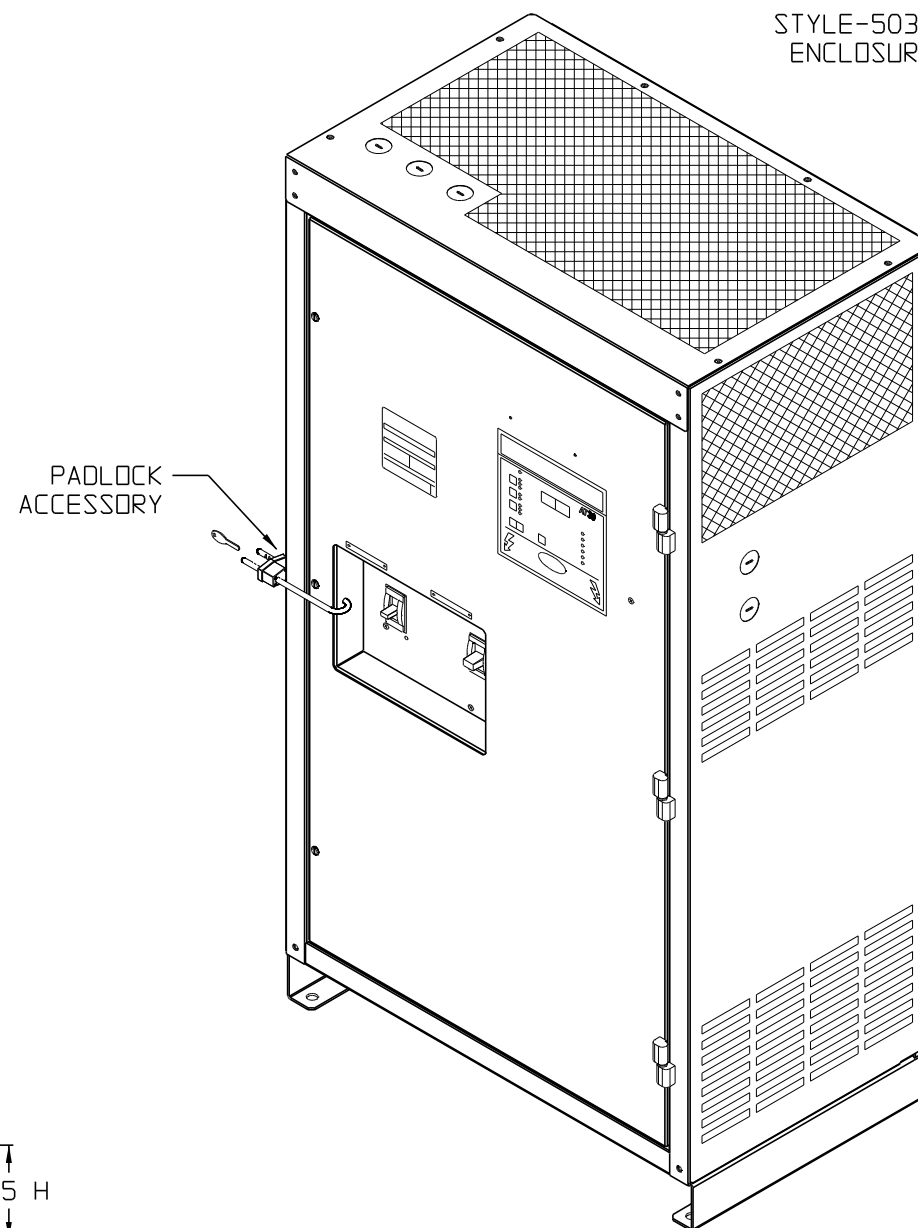
STYLE-5017
ENCLOSURE



STYLE-5018
ENCLOSURE



STYLE-5030
ENCLOSURE



RECOMMENDED PROCEDURE:

- 1) DEENERGIZE AND LOCK OUT ALL AC AND DC VOLTAGE SOURCES TO THE AT SERIES BATTERY CHARGER. CHECK WITH A VOLTMETER BEFORE PROCEEDING.
- 2) MARK A SHORT HORIZONTAL LINE ALONG FRONT EDGE OF LEFT SIDEWALL OF ENCLOSURE, OPPOSITE OF VERTICAL CENTER OF CIRCUIT BREAKER WINDOW.
- 3) MEASURE 0.75in / 19mm BACK FROM FRONT EDGE OF ENCLOSURE, AND MARK POINT.
- 4) DRILL OUT 0.312in / 7.9mm DIAMETER PILOT HOLE AS SHOWN, THROUGH LEFT SIDEWALL, LEFT EDGE OF CLOSED DOOR AND LEFT EDGE OF CIRCUIT BREAKER CUT-OUT WINDOW FRAME.
- 5) CLEAN OUT METAL FILINGS, AND INSTALL LOCK AS SHOWN ABOVE.
- 6) CHECK YOUR WORK, AND RE-ENERGIZE THE CHARGER.

BILL OF MATERIAL: EI0215-01

ITEM NUMBER	PART No.	DESCRIPTION	QUANTITY PER ASSY
①	PE0386-01	MASTER PADLOCK W/ ADJ. SHACKLE	1
	JA0108-01	CUSTOMER INSTRUCTIONS	1

DUAL DIMENSIONS in mm

				THIRD ANGLE PROJECTION		TITLE AT10/1/AT30 SERIES BATT CHGR PADLOCK ACSY CUSTOMER INSTALLATION INSTRUCTIONS	
				DRAWN BY MCR APPROVED ND	040209 040209	DRAWING No JA0108-01 REV 0	
0	21590	040209	ND	UNLESS OTHERWISE NOTED DIMENSIONS ARE IN INCHES. TOLERANCES ARE:		B	
REV	ECN No	DATE	APP	SCALE	NTS	PART No	JA0108-01
						SHEET	1 OF 1