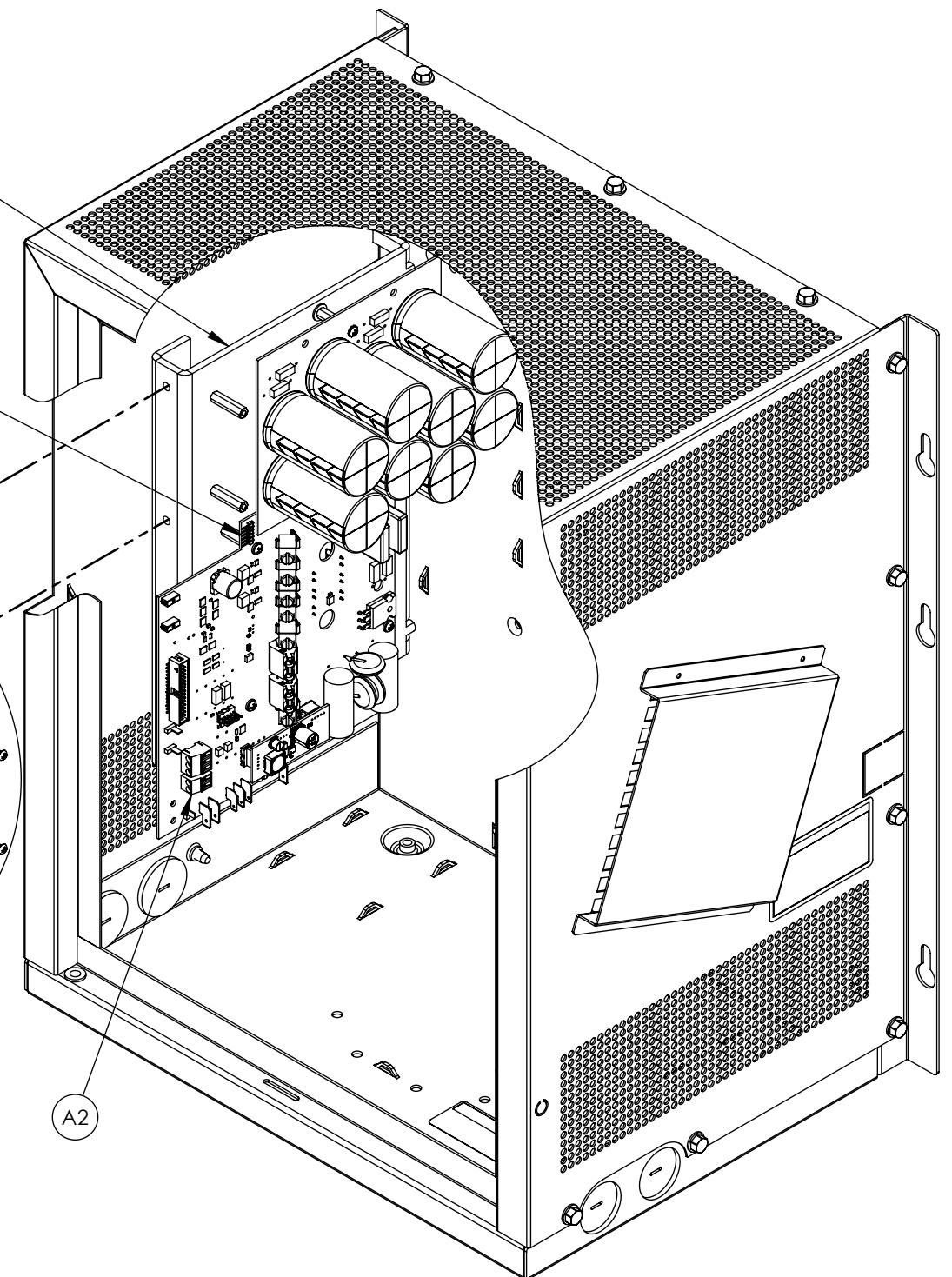
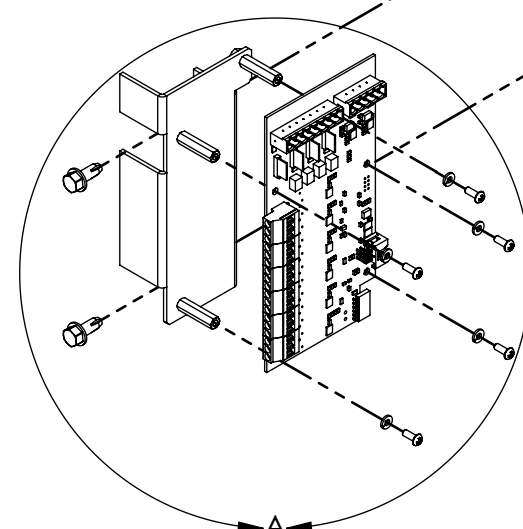
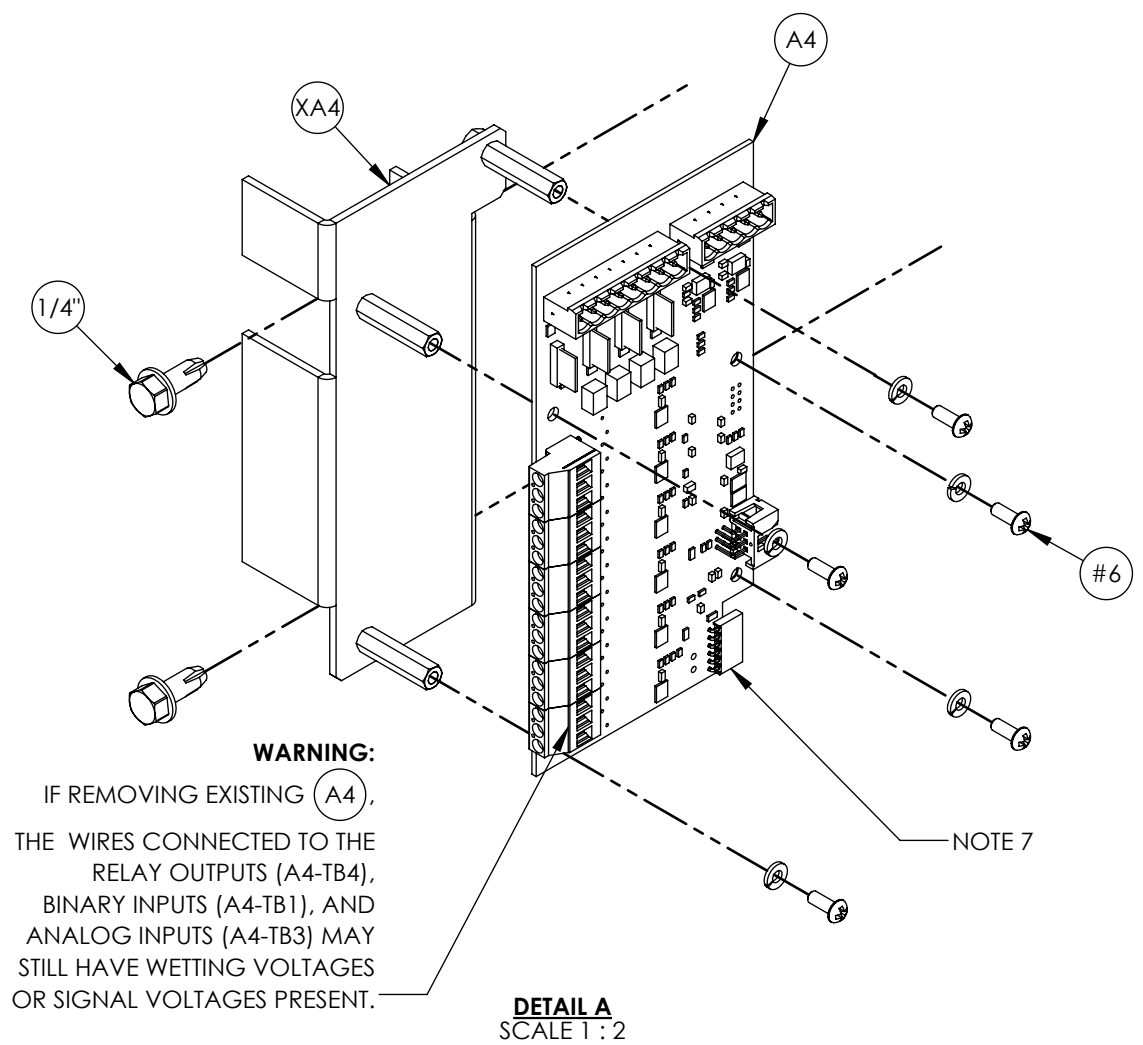


**INSTALLATION KIT PART NUMBERS:**

- EJ5301-01.
- EJ5301-02.

**TOOLS NEEDED:**

- PHILLIPS HEAD SCREW DRIVER
- 3/8" NUT DRIVER



**MOUNTING VIEW**  
STYLE - 5054 SHOWN  
ALSO APPLICABLE TO STYLE - 5070

**NEW INSTALLATION INSTRUCTIONS:**

1. TURN OFF (OPEN) AC INPUT CIRCUIT BREAKER (CB1), AND DC OUTPUT CIRCUIT BREAKER (CB2).
2. ALLOW INTERNAL VOLTAGES TO DISSIPATE.
3. OPEN DOOR PANEL. CAREFULLY REMOVE PLEXIGLAS SHIELDS.
4. USING A VOLTMETER, VERIFY ALL POTENTIAL VOLTAGES ARE AT "0" ON LINE SIDE OF DC BREAKER.
5. LOCATE (A6) RECTIFIER ASSEMBLY AS SHOWN IN ATevo MOUNTING VIEWS.
6. USE PROVIDED (1/4") HARDWARE TO MOUNT (XA4) TO (A6) HEATSINK AT THE (XA4) MOUNTING HOLE POSITIONS.
7. ALIGN HEADER SOCKET AT BOTTOM RIGHT OF (A4) AUXILIARY I/O BOARD WITH HEADER PINS ON (A2) POWER BOARD.
8. PUSH (A4) AUX I/O BOARD ONTO HEADER PINS OF (A2) POWER BOARD AND ALIGN 5 MOUNTING HOLES WITH STANDOFFS ON (XA4) & (A6) .
9. INSTALL 5 (#6) MOUNTING HARDWARE THROUGH BOARD AND INTO STANDOFFS.
10. INSTALL USER ALARM WIRING TO TB4 AS NEEDED.
11. REPLACE SAFETY SHIELD, CLOSE FRONT PANEL DOOR, AND RESTART ATevo.

REV.	DRN BY	CHK BY	APP BY	DATE	DRN BY	DATE:	TITLE ATevo Field Installation Instructions INSTR,AUX.I/O.PCB,EV1,6-25A	
				5/25/2023	MS	5/25/2023		
DESCRIPTION Initial Release					CHK BY	DATE:		
					KJB	5/25/2023		
					APP BY	DATE:		
					JK	7/6/2023		
UNLESS OTHERWISE SPECIFIED ALL DIMENSIONS FOLLOW THE ANSI SYSTEM IPS (INCHES-POUNDS & SECONDS) TOLERANCES ARE: FRAC. ±1/64, DEC. ±0.15, ANG ±.25°								
PROPRIETARY AND CONFIDENTIAL NOTICE ANY REPRODUCTION, PARTIAL OR AS A WHOLE OF THIS DOCUMENT WITHOUT THE WRITTEN PERMISSION OF HINDLE POWER, INC IS STRICTLY PROHIBITED.								
SCALE		DWG No		REV		SHEET		
1:4		JD5025-51		0		1 OF 1		