

AC CIRCUIT BREAKER CB1 DC CIRCUIT BREAKER CB2

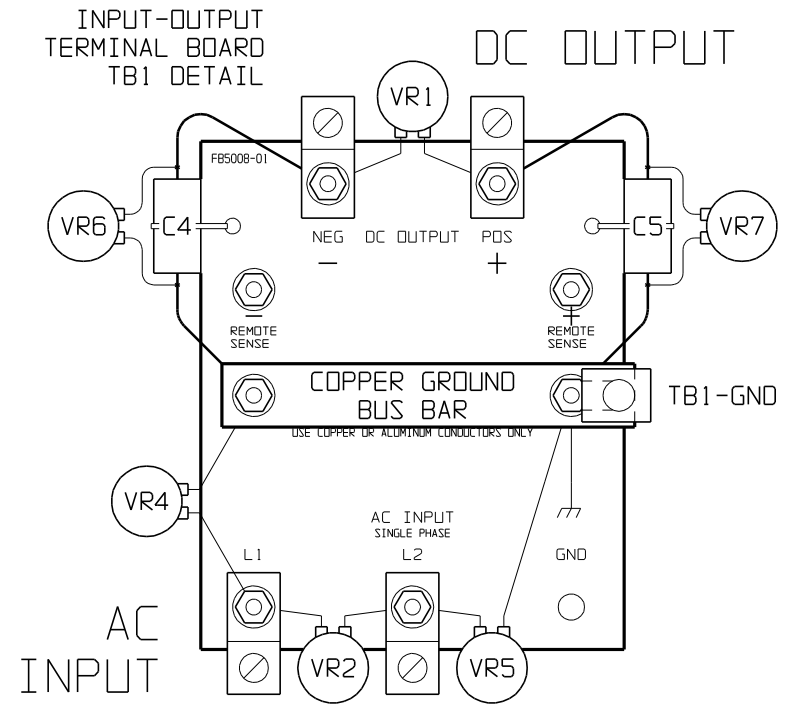
NOTE: CLEAR SAFETY COVER PROTECTS USER FROM HARMFUL VOLTAGES. SCREENED ARTWORK FEATURES:
 - IMPORTANT SAFETY INSTRUCTIONS
 - COMPONENT LAYOUT
 - CONNECTION DIAGRAM
 - QUICK OPERATION INSTRUCTIONS
 - COMMON ERROR CODES

SYM	STANDARD COMPONENT DESCRIPTION
A1	MAIN CONTROL PC BOARD
A11	HIGH-OUTPUT GATE DRIVE PC BOARD
C4	EMI OUTPUT FILTER CAP (NEG)
C5	EMI OUTPUT FILTER CAP (POS)
CB1	AC INPUT CIRCUIT BREAKER (CD2)
CB2	DC OUTPUT CIRCUIT BREAKER (CD2)
CR4	FREE-WHEELING DIODE
L1	MAIN INDUCTOR
Q1	SILICON-CONTROLLED RECTIFIER
Q2	SILICON-CONTROLLED RECTIFIER
R1	MAIN DC SHUNT
R2	RATING RESISTOR
R3x	EXT BALLAST RESISTOR (130VDC)
T1	POWER TRANSFORMER
TB1	I/O TERMINAL BOARD
TB3	SUMMARY ALARM CONTACTS
TB8	TEMPCO PROBE TERMINAL BLOCK
VR1	OUTPUT SURGE SUPPRESSOR
VR2	INPUT SURGE SUPPRESSOR
VR4	INPUT SURGE SUPPRESSOR
VR5	INPUT SURGE SUPPRESSOR
VR6	OUTPUT SURGE SUPPRESSOR
VR7	OUTPUT SURGE SUPPRESSOR
W1	COPPER BUS BAR (POS LEG)
W2	COPPER BUS BAR (NEG LEG)

SYM	OPTIONAL COMPONENT DESCRIPTION
A5	AUXILIARY ALARM RELAY PC BOARD
A10	TEMPERATURE COMPENSATION PROBE
C1	FILTER CAPACITOR
C2	BATTERY ELIMINATOR FILTER CAP
CR1	POLARITY DIODE
E13	INDUCTOR INTER-CONNECT POINT
F1A	AC INPUT FUSE
F1B	AC INPUT FUSE
F3	DC OUTPUT FUSE (+ LEG)
F4	DC OUTPUT FUSE (- LEG)
L2	FILTER INDUCTOR
R9	FILTER CAP BLEED RESISTOR
TB4	AUXILIARY ALARM RELAY CONTACTS
VR3	INPUT LIGHTNING ARRESOR

FOR DETAIL VIEWS OF ALL PC BOARDS (A1, A5, A11, etc.) SEE DRAWING JE5030-2#

(TO BE PLACED NEAR BATTERY CELL)
(LENGTH TBD) A10



I/O TERMINAL	DESCRIPTION - TYPE	CONNECTION
TB1(+/-)	POS/NEG OUTPUT TERMINALS - CU-ALUMINUM COMPRESSION LUG	#14-1/0 AWG
REM SENSE(+/-)	POS/NEG REMOTE SENSE TERMINALS - 1/4-20 SCREW HARDWARE	1/4in RING LUG
TB1-GND	GROUND TERMINAL - CU-ALUMINUM COMPRESSION LUG	#14-1/0 AWG
TB1-L1/L2	AC INPUT TERMINALS - CU-ALUMINUM COMPRESSION LUG	#14-1/0 AWG
TB3	SUMMARY ALARM TERMINAL BLOCK - SOLDERLESS COMPRESSION	#22-14 AWG
TB4	AUXILIARY ALARM TERM BLOCK - SOLDERLESS COMPRESSION	#22-14 AWG
TB8	TEMPCO PROBE (A10) INTERCONNECTION TERMINAL BLOCK	#22-14 AWG

				 THIRD ANGLE PROJECTION			
				DRAWN BY MCR APPROVED <i>QA</i>	022703 022803	TITLE AT10.1 SERIES BATTERY CHARGER (OPTIONAL) INTERNAL COMPONENT LAYOUT: STYLE-5017	
				DRAWING No JE5028-99		REV 1	B
REV	ECN No	DATE	APP	SCALE NTS	PART No JE5028-99	SHEET 1 OF 1	