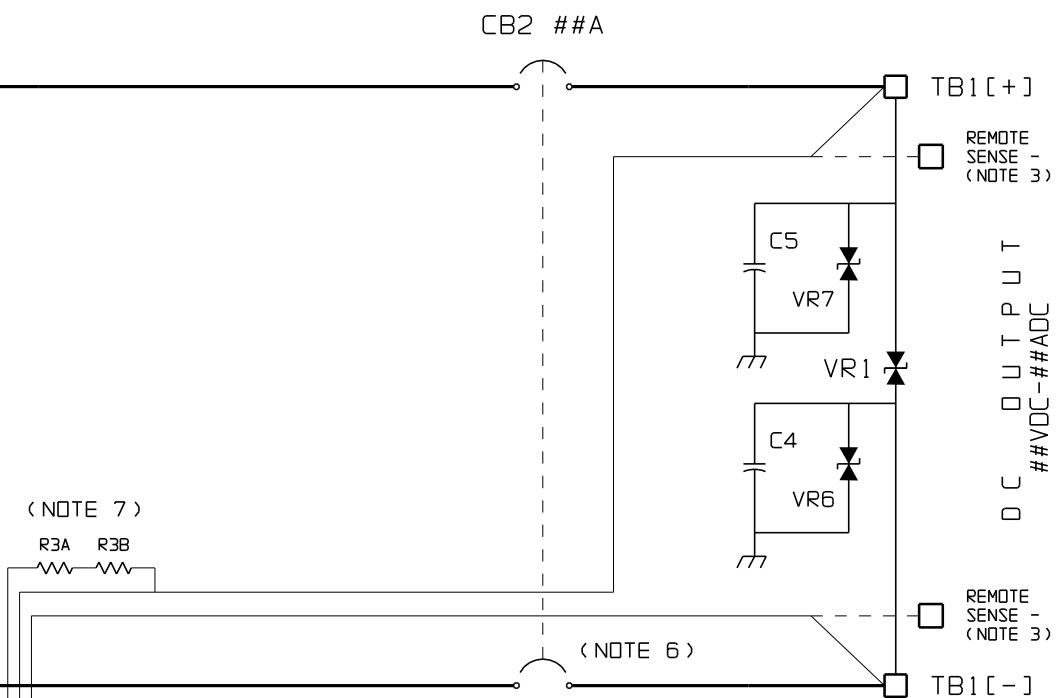
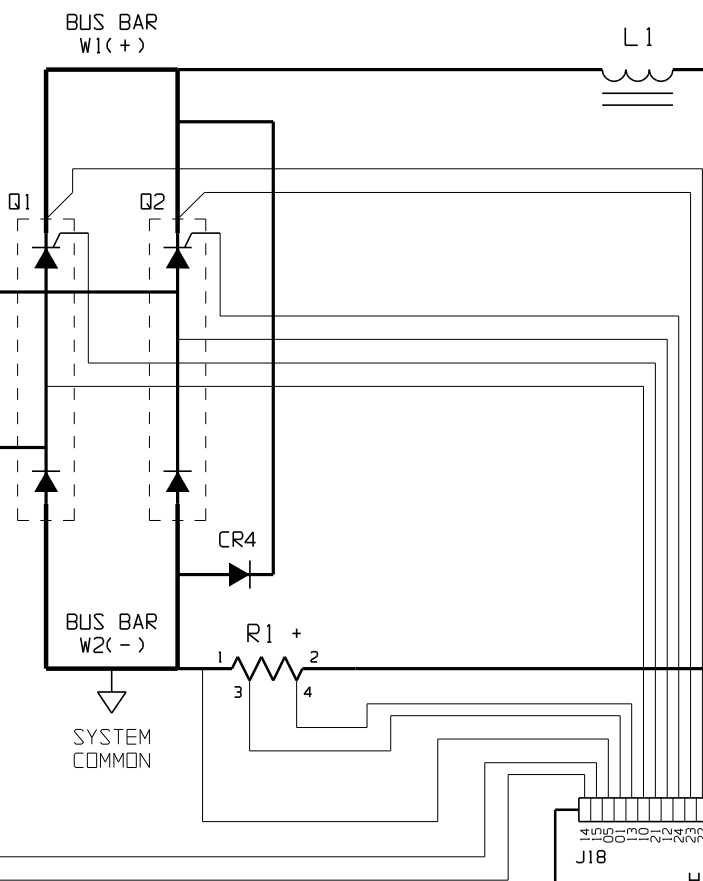
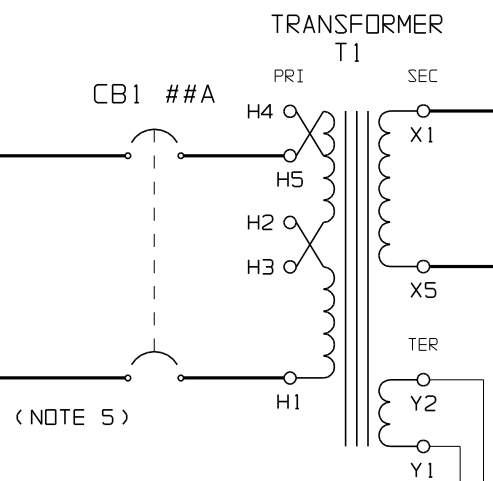


STANDARD TRANSFORMER (NOTE 4)

INPUT	JUMPER
120	H1-H3, H2-H5
208	H2-H4 (2)
240	H2-H3 (2)

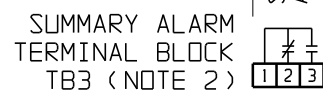


NOTES:

- FOR COMPONENT DETAILS OF ALL PC BOARDS (A1, A5, A11, etc.) SEE DRAWING JE5030-2#.
- ALL ALARM CONTACTS SHOWN IN NON-ALARM STATE. CONTACT RATING IS 0.5A @ 125VAC/VDC RESISTIVE.
- WHEN REMOTE SENSE IS USED, THE VOLTAGE SENSE LEADS RUN FROM A11-J18-06 TO REMOTE SENSE(-), AND FROM A11-J18-08 TO REMOTE SENSE(+). REFER TO CONNECTION DIAGRAM FOR WIRING DETAILS.
- UNLESS SPECIALLY ORDERED, POWER ISOLATION TRANSFORMER (T1) IS NOT RE-TAPPABLE, AND IS ONLY RATED FOR LISTED AC INPUT VOLTAGE. OPTIONAL 480VAC INPUT TRANSFORMER (T1) DOES NOT FEATURE TAPS (H2, H3 & H4).
- AC INPUT PROTECTION CONSISTS OF ONE (1) TWO-POLE CIRCUIT BREAKER (CB1).
- DC OUTPUT PROTECTION CONSISTS OF ONE (1) TWO-POLE CIRCUIT BREAKER (CB2).
- BALLAST RESISTORS (R3A/R3B) ARE FEATURED EXTERNALLY AS SHOWN FOR 130VDC UNITS. 48VDC UNITS FEATURE ONE (1) EXTERNAL BALLAST RESISTOR (R3). FOR 12 & 24VDC UNITS, BALLAST RESISTOR (R3) IS FEATURED INTERNALLY ON GATE DRIVE PC BOARD (A11), AND J18-19 CONNECTION IS NOT USED.
- SPECIAL AC INPUT VOLTAGE OPTIONS ALSO AVAILABLE: 220, 380 OR 416 VAC 50/60 Hz

FEATURED OPTIONS:

- AC INPUT CIRCUIT BREAKER
- DC OUTPUT CIRCUIT BREAKER



SUMMARY ALARM



REV	ECN No	DATE	APP	THIRD ANGLE PROJECTION	TITLE	DRAWING No	REV	SCALE	PART No	SHEET	OF			
2	E2141	091305		THIRD ANGLE PROJECTION	AT10.1 SERIES BATTERY CHARGER SCHEMATIC: GROUP II (30-100ADC) STANDARD - W/O OPTIONS	JE5032-00	2	NTS	JE5032-00	1	1			
1	E1203	040703	OK									DRAWN BY MCR 022003	APPROVED OK 022003	B
0	E1142	022003	OK									UNLESS OTHERWISE NOTED DIMENSIONS ARE IN INCHES. TOLERANCES ARE:		