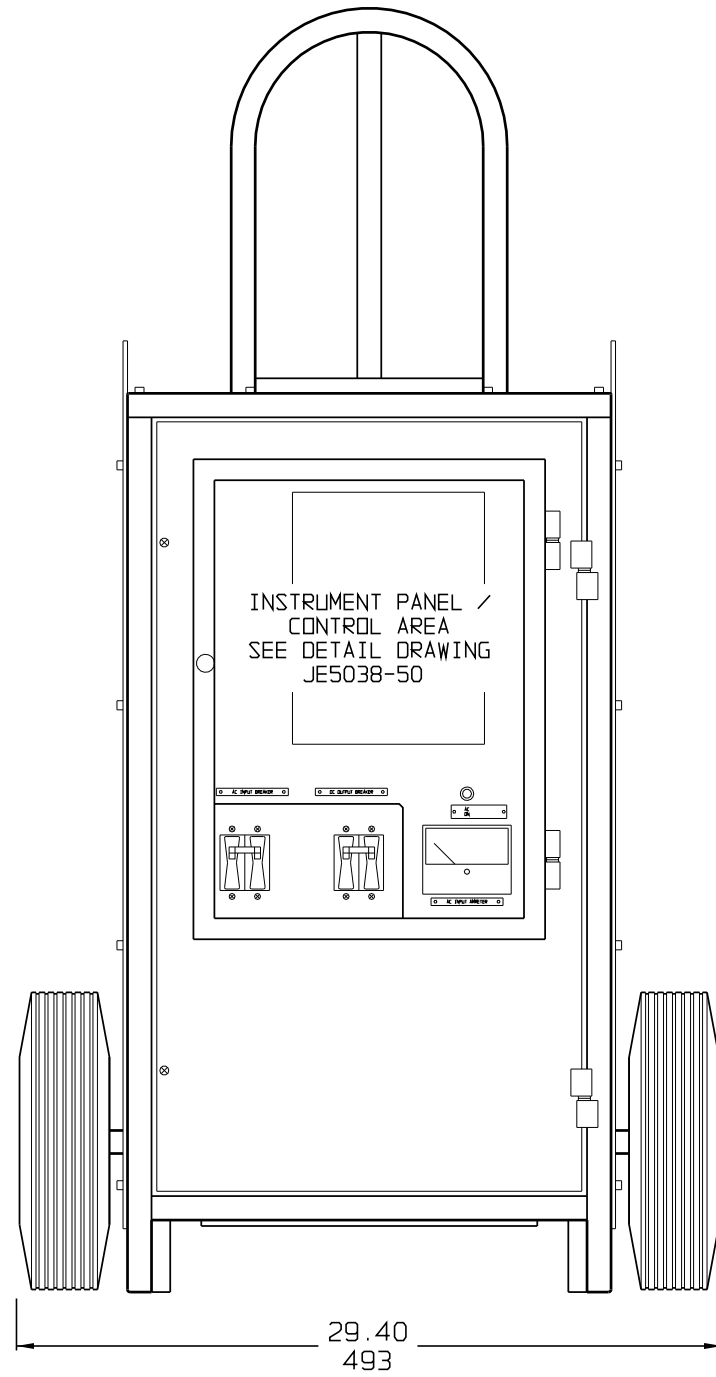
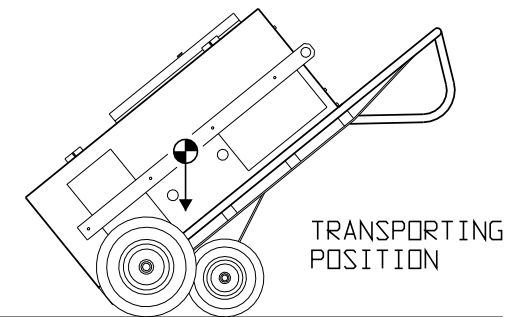
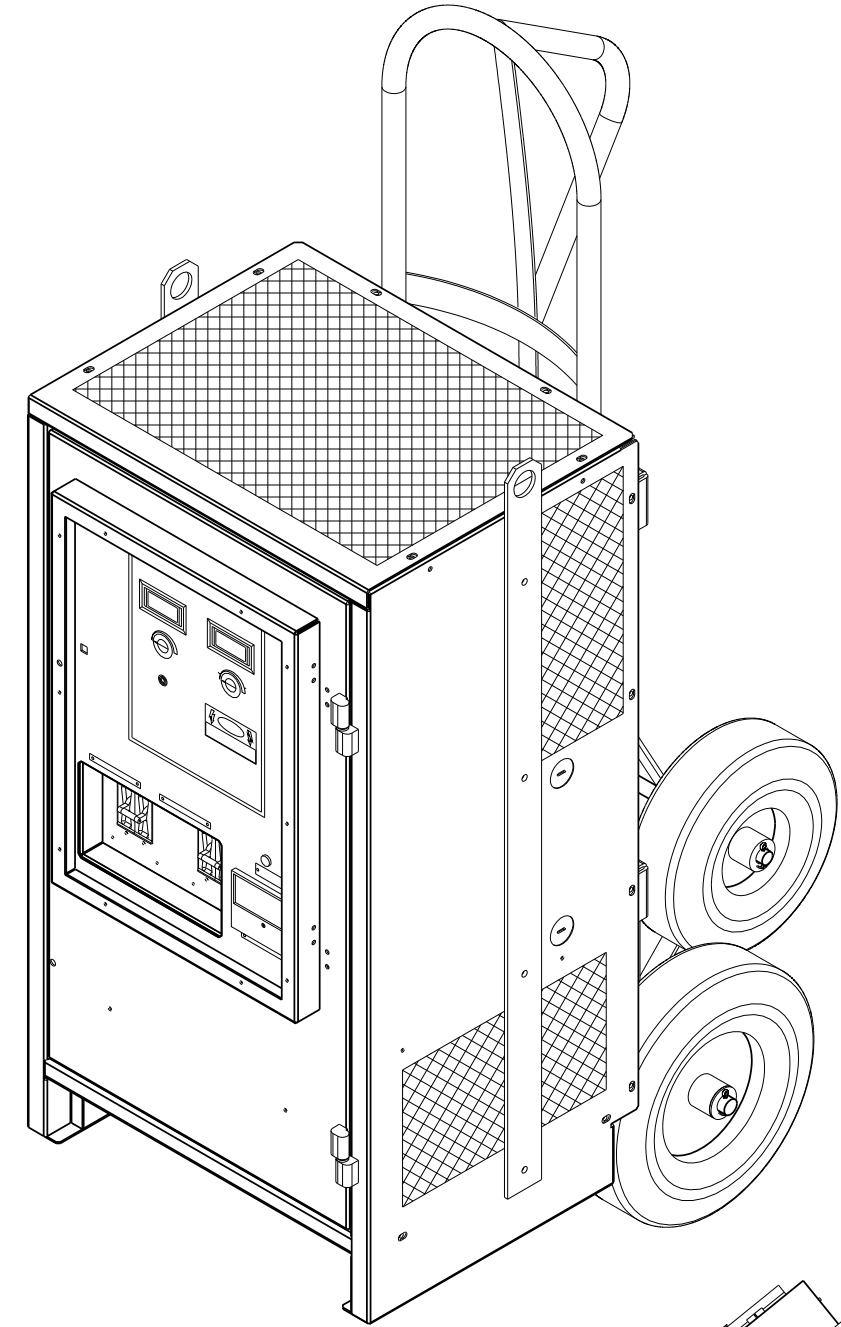
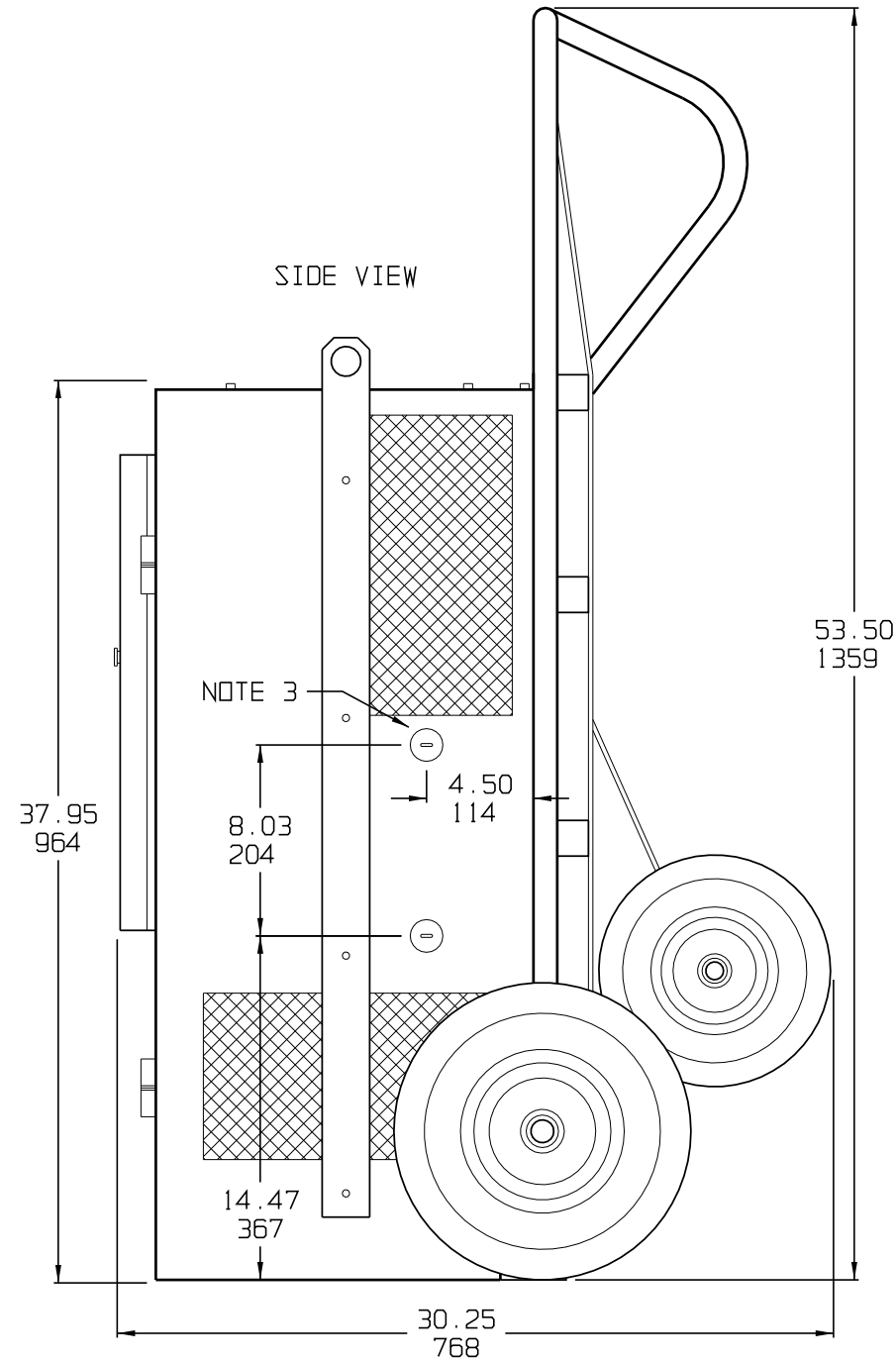


FRONT VIEW



SIDE VIEW



TRANSPORTING POSITION

NOTES:

- 1) ENCLOSURE IS A NEMA-1 / IP20 TYPE STEEL CABINET WITHOUT GASKETS, FINISH IS ANSI-61 GRAY EPOXY POWDERCOAT.
- 2) ALLOW 12in / 305mm OF FREE AIR ALL AROUND CABINET FOR VENTILATION.
- 3) TWO (2) 1in/25mm I/O CONDUIT KNOCKOUTS ARE PROVIDED AS SHOWN ON THE LOWER-RIGHT SIDE OF ENCLOSURE.
- 4) BATTERY CHARGER SHIPPING WEIGHT: APPROXIMATELY 390 lbs. / 177 kg.

DUAL DIMENSIONS in mm

9	-N/A-	091121	THIRD ANGLE PROJECTION	TITLE UNIVERSAL MAINTENANCE CHARGER OUTLINE: NEMA-1 STYLE-5018 ENCL W/HAND TRUCK		
8	25942	042417				
7	25864	030817	DRAWN BY MCR 021403	DRAWING No JE5036-50		
6	21450	120808	ELECTRONIC APPROVAL SIGNATURES MAINTAINED BY MFG ECN LOG	REV 9	<b>B</b>	
5	20462	121506	UNLESS OTHERWISE NOTED DIMENSIONS ARE IN INCHES. TOLERANCES ARE:	SCALE NTS		
REV	ECN No	DATE				