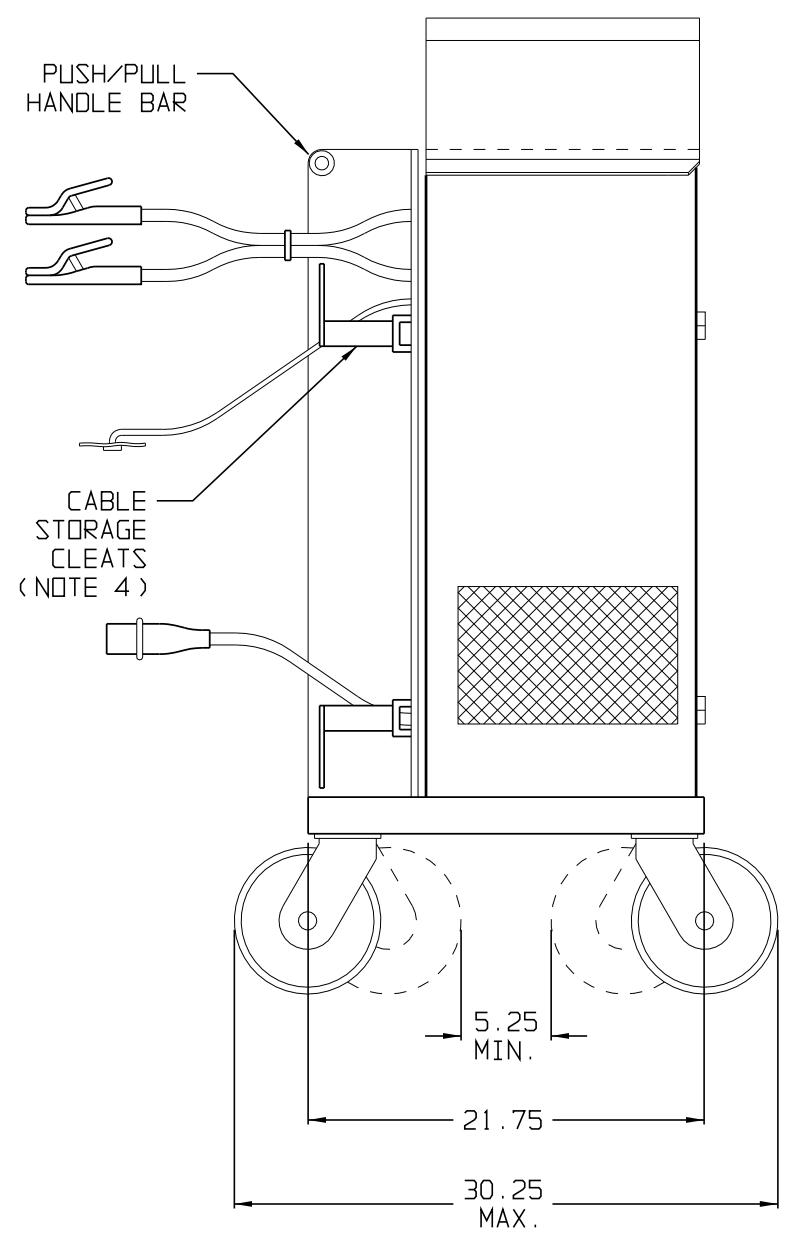
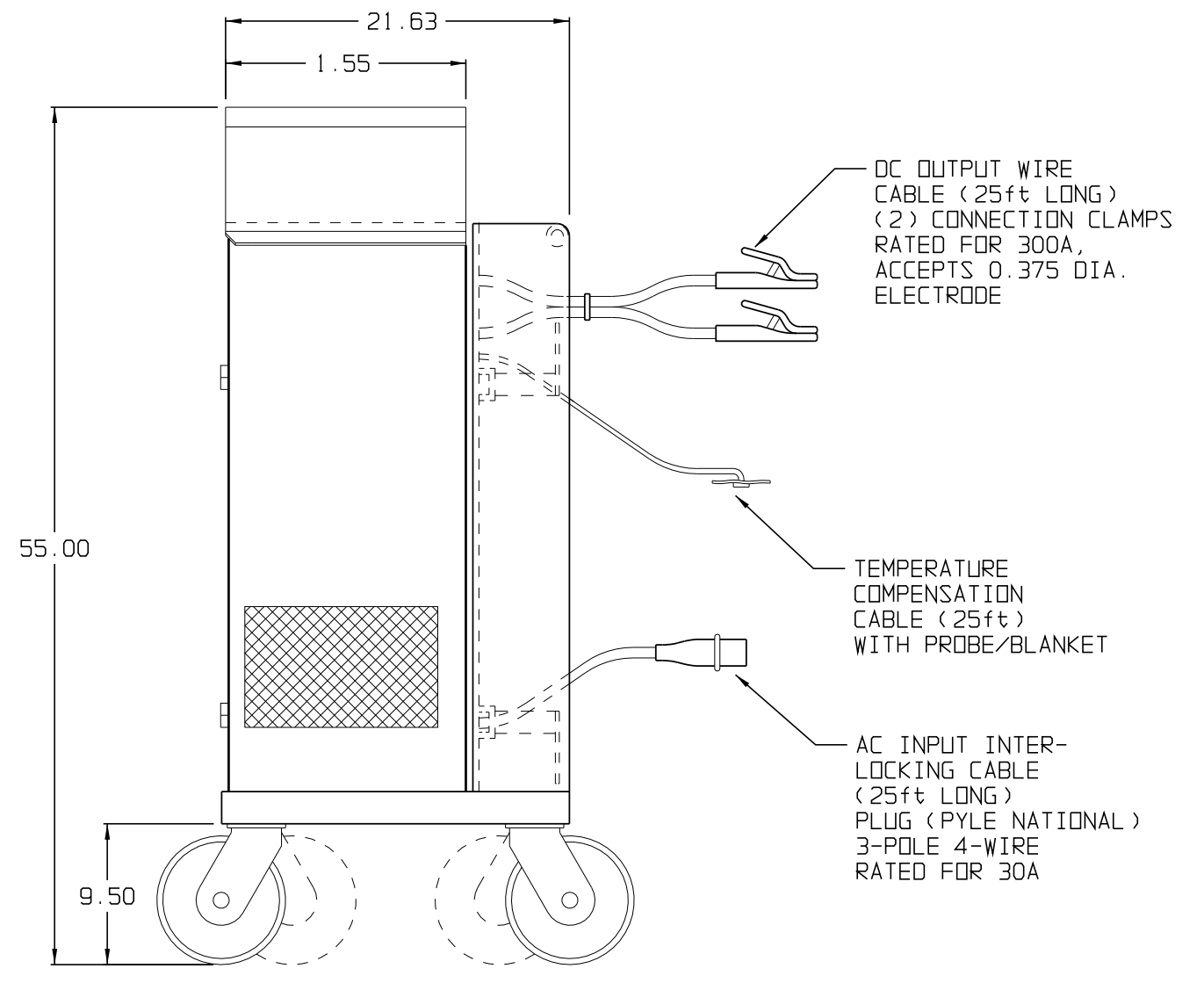
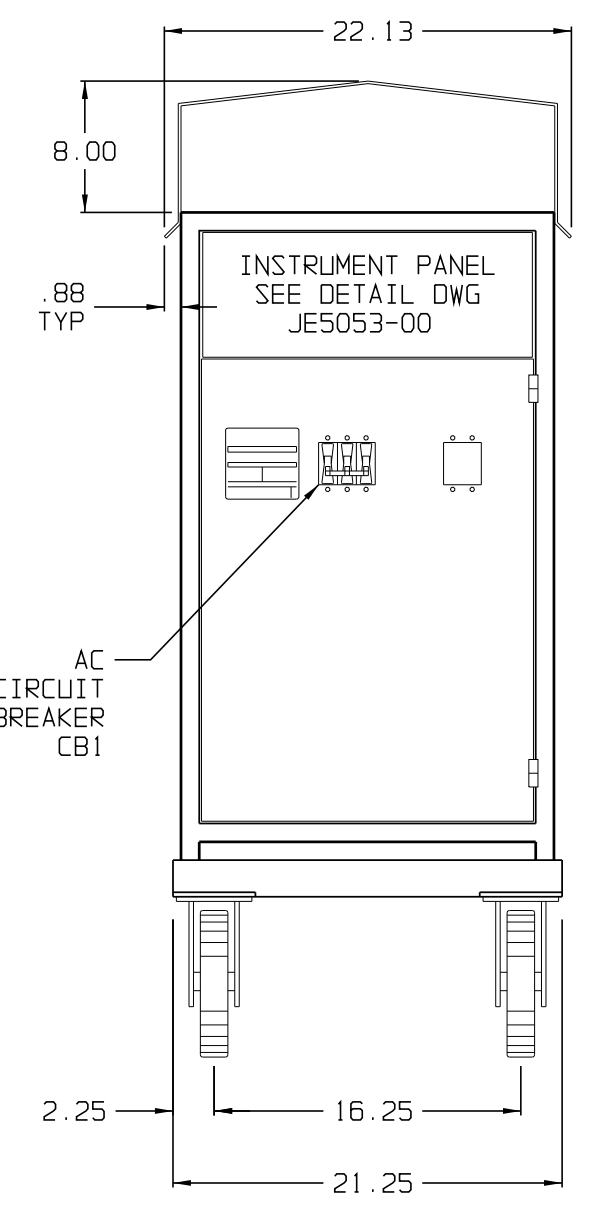
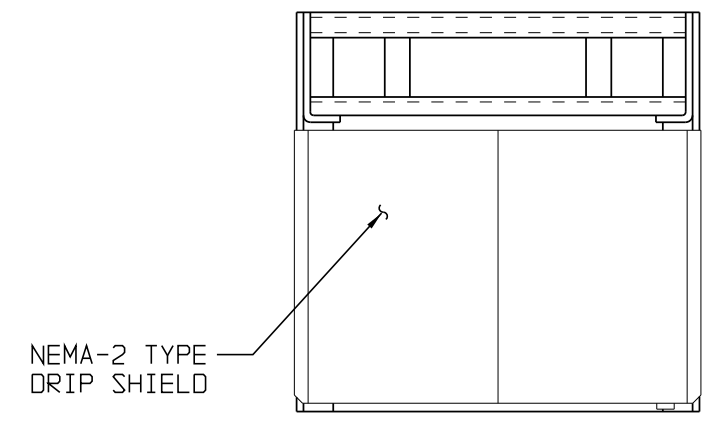


NOTES:

- 1) ALLOW 6in OF FREE AIR ALL AROUND CABINET FOR VENTILATION.
- 2) ENCLOSURE IS A NEMA-1 TYPE STEEL CABINET WITHOUT GASKETS, FINISH IS ANSI-61 GRAY EPOXY POWDERCOAT.
- 3) UNIT SHIPPING WEIGHT APPROXIMATELY 600lbs.
- 4) CABLE STORAGE CLEATS ARE PROVIDED ON BACK PANEL FOR AC INPUT CABLE, DC OUTPUT CABLE AND TEMPERATURE COMPENSATION PROBE.



5	-N/A-	020822	 THIRD ANGLE PROJECTION	TITLE RAILROAD MAINTENANCE CHARGER OUTLINE: ST-2 ENCL ON CASTERS W/NEMA-2 DRIP SHIELD							
4	23941	100713									
3	21309	091108	DRAWN BY MCR 031903	DRAWING No JE5051-00 REV 5 B							
2	21060	031308	ELECTRONIC APPROVAL SIGNATURES MAINTAINED BY MFG ECN LOG								
0	E1180	031903	UNLESS OTHERWISE NOTED DIMENSIONS ARE IN INCHES. TOLERANCES ARE:	SCALE	NTS	SALES No	JE5051-00	SHEET	1	OF	1
REV	ECN No	DATE									