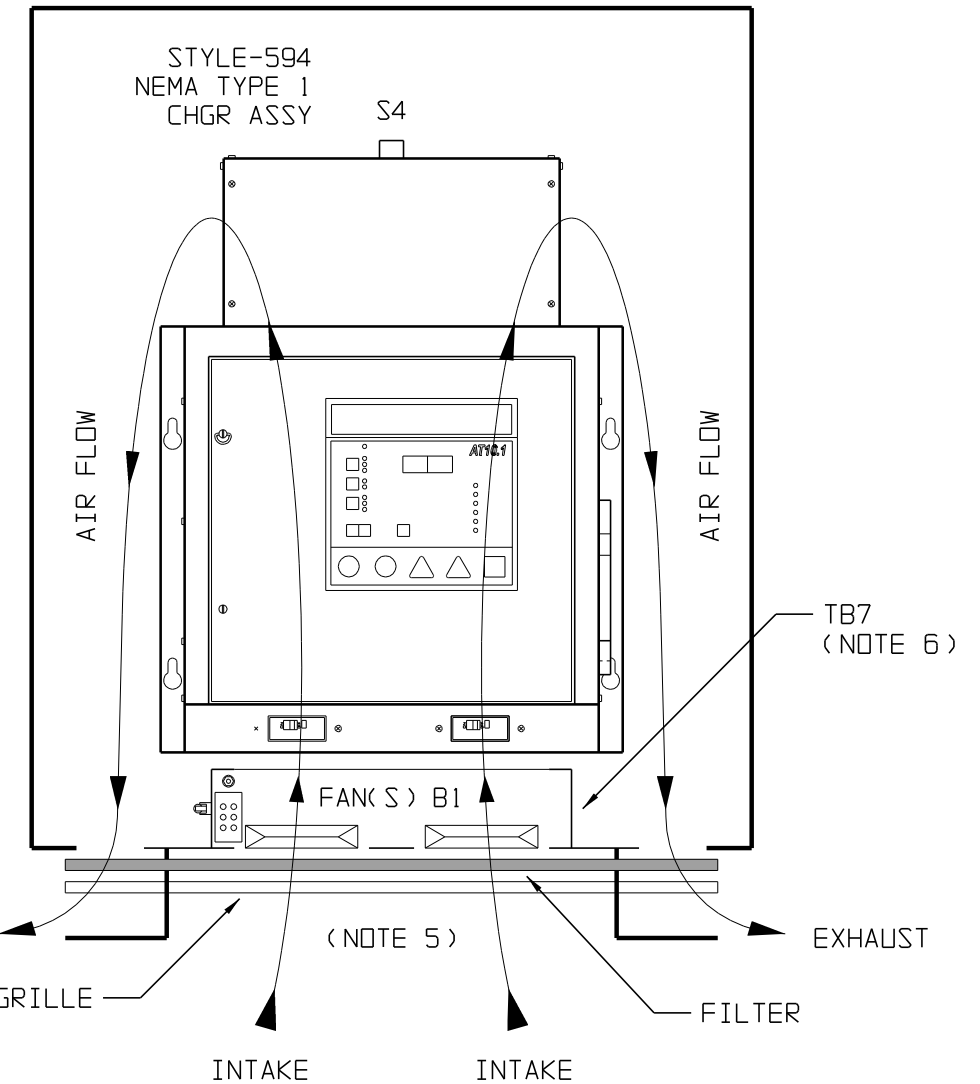
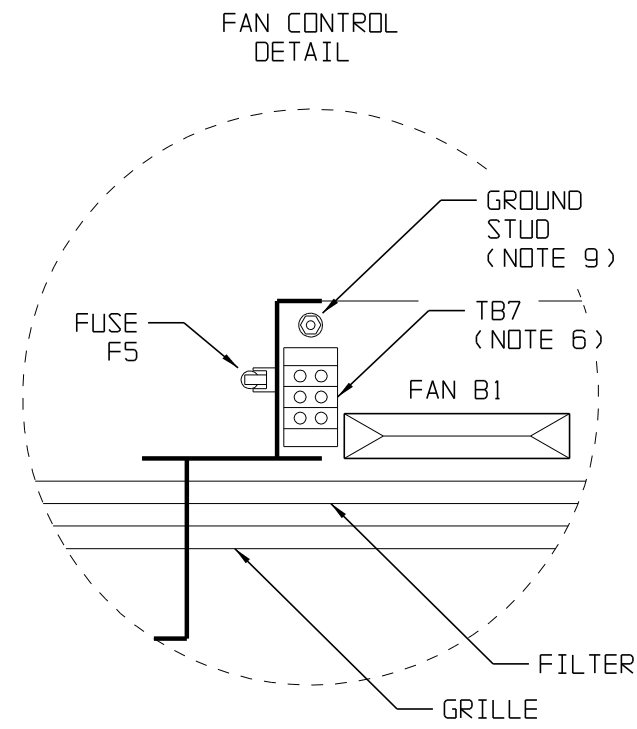
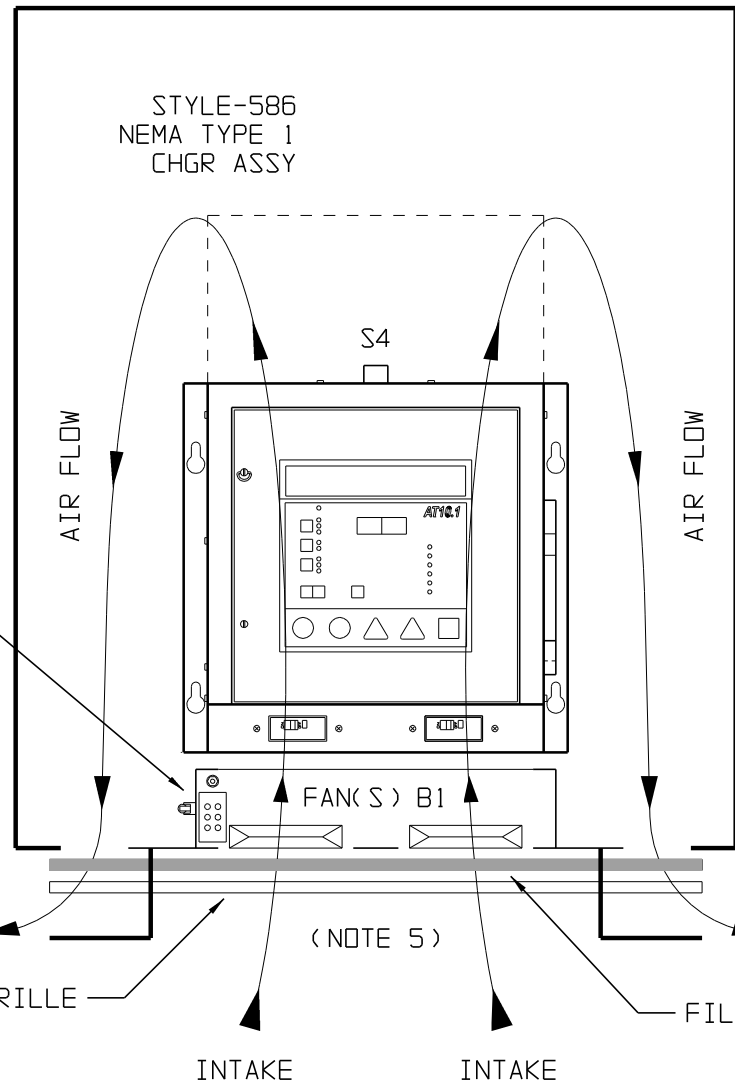


NOTES:

- 1) DRAWING DEPICTS A NEMA TYPE 4 CABINET ASSEMBLY, WHICH MEETS BOTH NEMA TYPE 12 AND TYPE 13 SPECIFICATIONS. THE ASSEMBLY HOUSES AN INTERNAL NEMA TYPE 1 AT10.1 BATTERY CHARGER. SEE SHEET 2 OF 2 FOR INTERNAL CONFIGURATION.
- 2) EXTERNAL FINISH IS ANSI-61 GRAY EPOXY POWDERCOAT, INTERNAL FINISH IS SEMIGLOSS WHITE.
- 3) NEMA-4 TYPE ENCLOSURES FEATURE NO PRE-FABRICATION PROVISIONS FOR EXTERNAL CONDUIT ENTRANCE. CABINET SHOULD BE FIELD-MODIFIED BY INSTALLER AS NEEDED FOR I/O.
- 4) NEOPRENE GASKET, THREE (3) INTERNAL HINGES, AND TWO (2) CHROME-PLATED 1/4-TURN SLOTTED DOOR LATCHES SUPPLIED TO MEET NEMA-4 (AND NEMA-12/13) TYPE ENCLOSURE SPECIFICATIONS.
- 5) ENCLOSURE TO BE WALL-MOUNTED AS DIMENSIONED. CABINET IS NOT DESIGNED FOR FLOOR MOUNTING.
- 6) ALLOW 6in / 153mm OF FREE AIR AT BOTTOM OF ENCLOSURE FOR VENTILATION.
- 7) SHIPPING WEIGHT OF ENTIRE CHARGER/NEMA-4 CABINET ASSEMBLY IS APPROXIMATELY 187 lb / 85kg ABOVE STANDARD CHARGER (see product literature) WEIGHT.

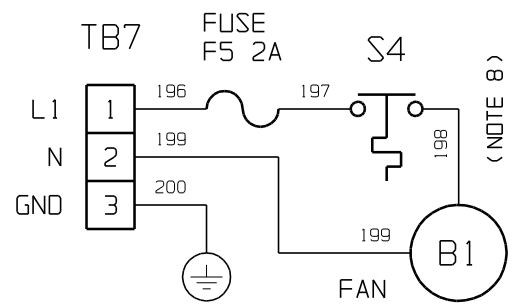
DUAL DIMENSIONS in mm

3	24077	010214	THIRD ANGLE PROJECTION	TITLE AT10.1 SERIES BATT CHGR CABINET OUTLINE: NEMA-4 (12/13) STYLE-214 ENCLOSURE		
2	24015	111213				
1	21444	120508	ELECTRONIC APPROVAL SIGNATURES MAINTAINED BY MFG ECN LOG			
0	E1208	041503	UNLESS OTHERWISE NOTED DIMENSIONS ARE IN INCHES. TOLERANCES ARE:			
REV	ECN No	DATE	DRAWING No JE5068-00		REV 3	
			SCALE	NTS	PART No JE5068-00	
			SHEET 1 OF 2		B	



- NOTES:
- DRAWING DEPICTS A NEMA TYPE-4 (WHICH MEETS BOTH NEMA-12 AND NEMA-13 SPECIFICATIONS) CABINET ASSEMBLY, HOUSING AN AT10.1 BATTERY CHARGER. SEE DRAWING JE5023-## (STYLE-586) OR JE5024-## (STYLE-594) FOR STANDARD AT10.1 NEMA-1 TYPE ENCLOSURE DIMENSIONS.
 - INTERNAL FINISH IS SEMIGLOSS WHITE, EXTERNAL FINISH IS ANSI-61 GRAY EPOXY POWDERCOAT.
 - NEMA TYPE-4 ENCLOSURES FEATURE NO PRE-FABRICATION PROVISIONS FOR CONDUIT ENTRANCE. CABINET SHOULD BE FIELD-MODIFIED BY INSTALLER AS NEEDED FOR I/O.
 - ENCLOSURE TO BE WALL-MOUNTED AS DIMENSIONED ON SHEET 1 OF 2. CABINET IS NOT DESIGNED FOR FLOOR MOUNTING.
 - ALLOW 6in / 153mm OF FREE AIR AT BOTTOM OF ENCLOSURE FOR VENTILATION.
 - TB7 3-POS FAN EXTERNAL POWER TERMINAL BLOCK, BARRIER TYPE, 6-32 BINDER HEAD SCREW TERMINALS, WILL ACCOMMODATE LUGS FOR #16-14 AWG WIRE.
 - CONNECT USER-SUPPLIED 120VAC-1PH-60Hz POWER SUPPLY TO TERMINAL BLOCK (TB7) TO POWER NEMA-4 CABINET COOLING FANS.
 - VENTING FAN (B1) IS INTERMITTENT, ACTIVATED BY THERMOSTAT (S4), WHICH CLOSES ON RISE AT 120°F / 48.9°C AND IS SELF-RESETTING.
 - VENTING FAN COMPONENTS ARE GROUNDED TO NEMA-4 STYLE-214 CABINET VIA ZPS STUD TERMINAL.

USER-SUPPLIED
FAN POWER INPUT
120VAC-1PH-60Hz
(SEE NOTE 7)



WIRE LIST:

No.	FROM	TO	GA	COLOR
196	TB7-L1	F5-1	14	BLACK
197	F5-2	S4-1	14	BLACK
198	S4-2	B1-1	14	BLACK
199	B1-2	TB7-N	14	BLACK
200	TB7-GND	CHASSIS GROUND	12	GRN/YEL

		TITLE AT10.1 SERIES BATTERY CHARGER OUTLINE: NEMA-4 (12/13) STYLE-214 ENCLOSURE	
DRAWN BY MCR	041503	DRAWING No	REV 3
ELECTRONIC APPROVAL SIGNATURES MAINTAINED BY MFG ECN LOG		JE5068-00	B
UNLESS OTHERWISE NOTED DIMENSIONS ARE IN INCHES. TOLERANCES ARE:		SCALE NTS	SHEET 2 OF 2
PART No JE5068-00		SHEET 2 OF 2	