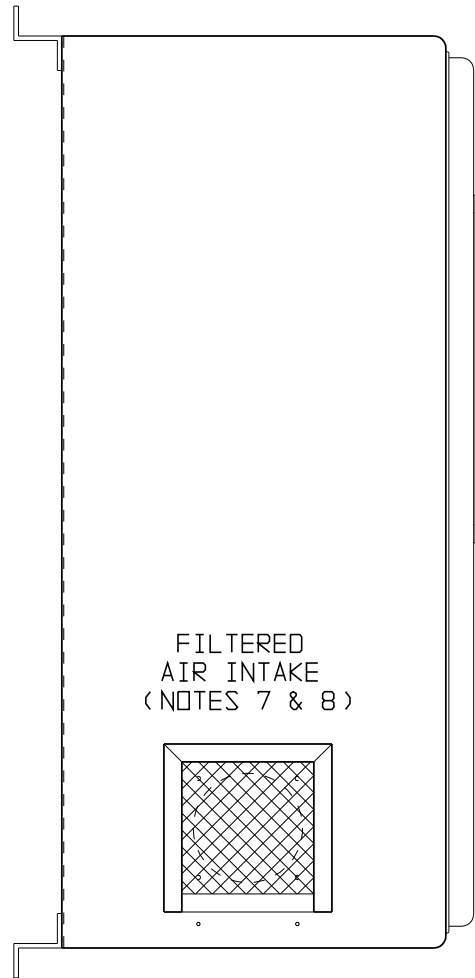
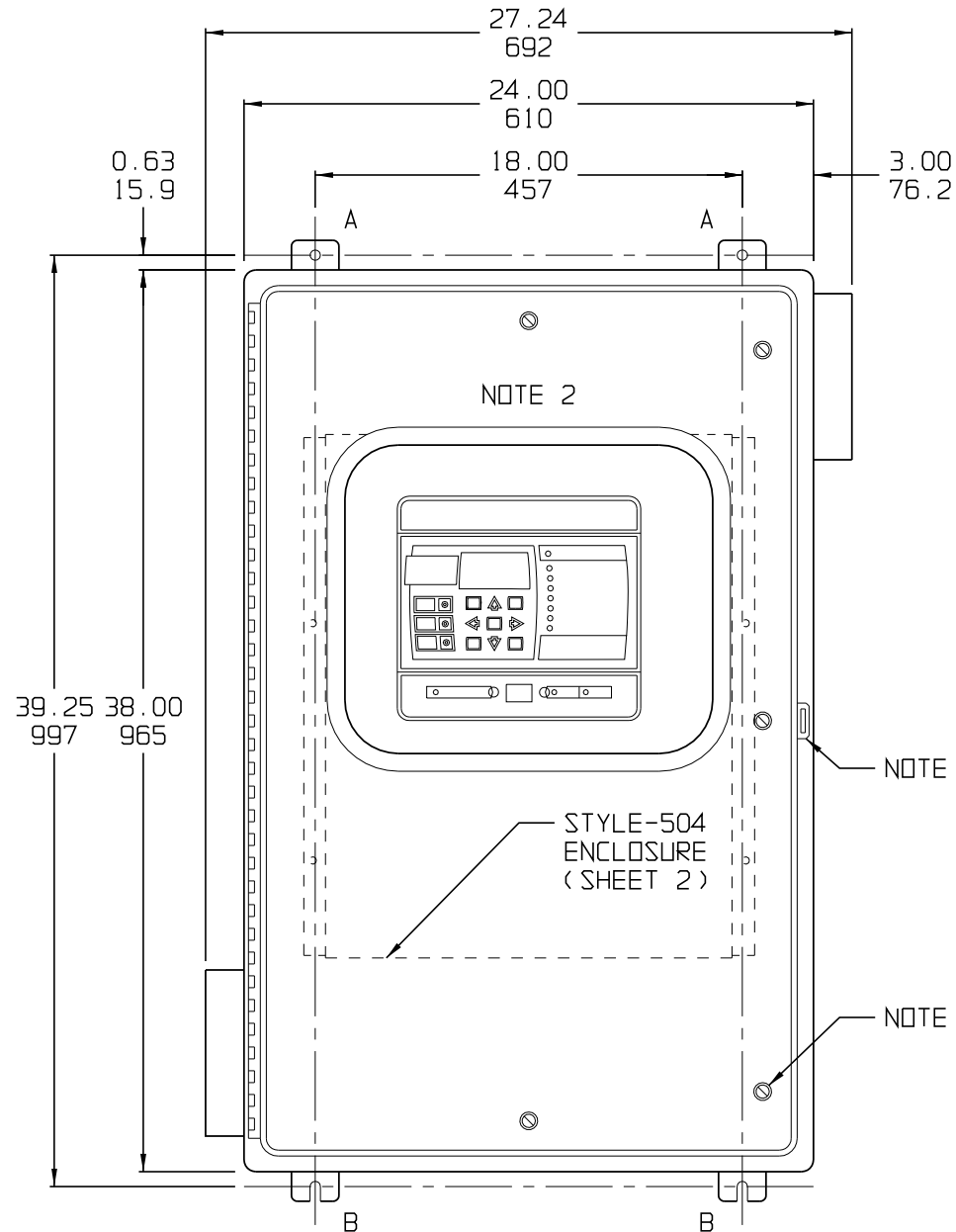


LEFT SIDE VIEW



FILTERED AIR INTAKE (NOTES 7 & 8)

FRONT VIEW



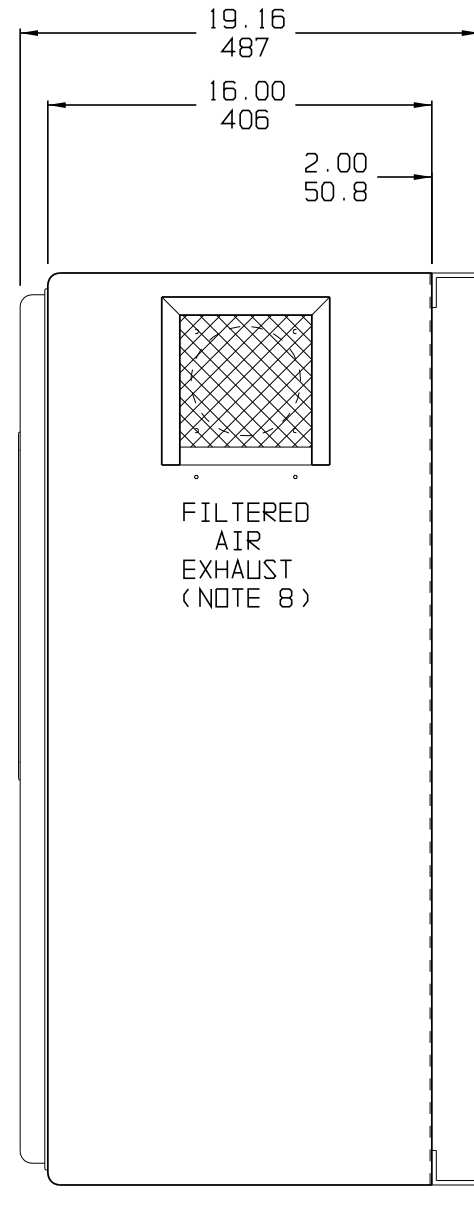
NOTE 2

STYLE-504 ENCLOSURE (SHEET 2)

NOTE 3

NOTE 1

RIGHT SIDE VIEW



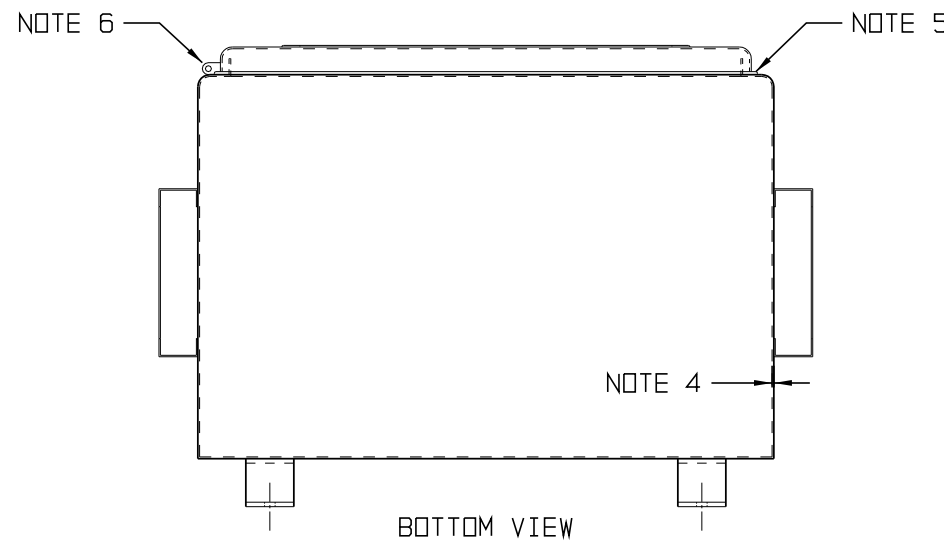
FILTERED AIR EXHAUST (NOTE 8)

HOLE	DIA.	QTY.	APPLICATION
A	0.438 11.11	2	WALL MOUNTING HOLES
B	0.438 11.11	2	WALL MOUNTING SLOTS

NEMA-4/12/13 ENCLOSURES FEATURE NO PRE-FABRICATION PROVISIONS FOR CONDUIT ENTRANCE. CABINET SHOULD BE FIELD-MODIFIED BY INSTALLER AS NEEDED FOR I/O.

NOTES:

- 1) CHROME-PLATED, 1/4-TURN, SLOTTED LATCHES SUPPLIED TO MEET NEMA TYPE-4 / IP66 STANDARDS
- 2) SEALED ACRYLIC WINDOW
- 3) PADLOCK HASP AND STAPLE
- 4) ENCLOSURE SIDEWALLS ARE 14 GA CR STEEL
- 5) NEOPRENE GASKET
- 6) CONTINUOUS HINGE
- 7) SEE SHEET 2 OF 2 FOR EXTERNALLY-POWERED INTAKE FAN AND 120 Vac TERMINAL BLOCK
- 8) ALLOW 6.0in / 152mm FREE AIR ON SIDES OF CABINET FOR PROPER VENTING
- 9) EXTERNAL FINISH IS ANSI-61 GRAY PAINT
- 10) SHIPPING WEIGHT IS APPROXIMATELY:  
120 lb / 54 kg ABOVE STANDARD CHARGER



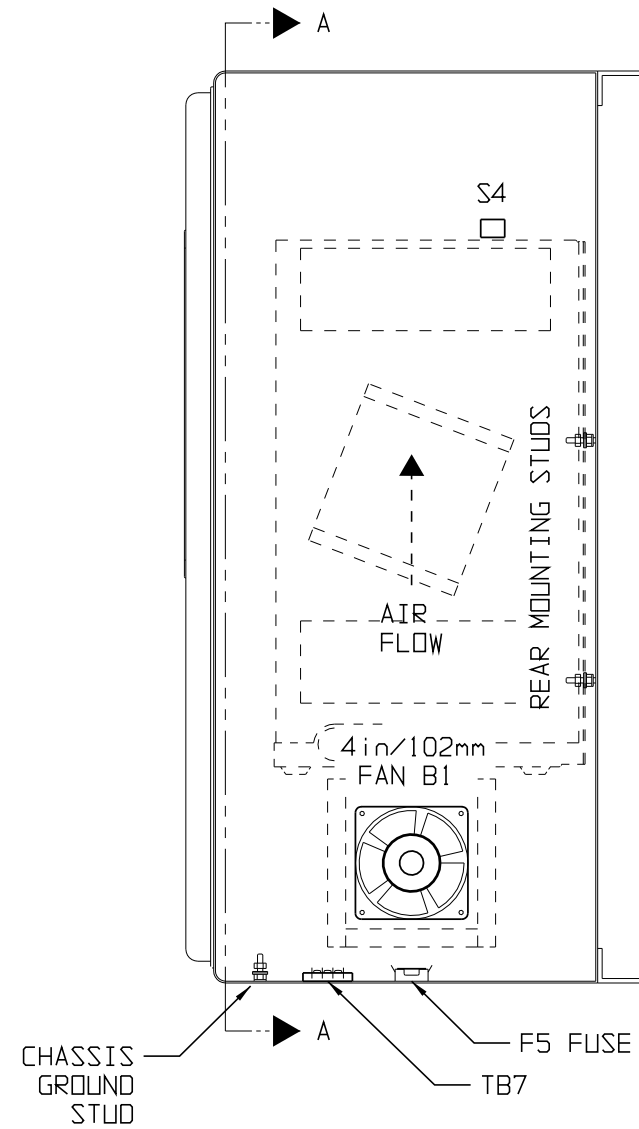
NOTE 4

BOTTOM VIEW

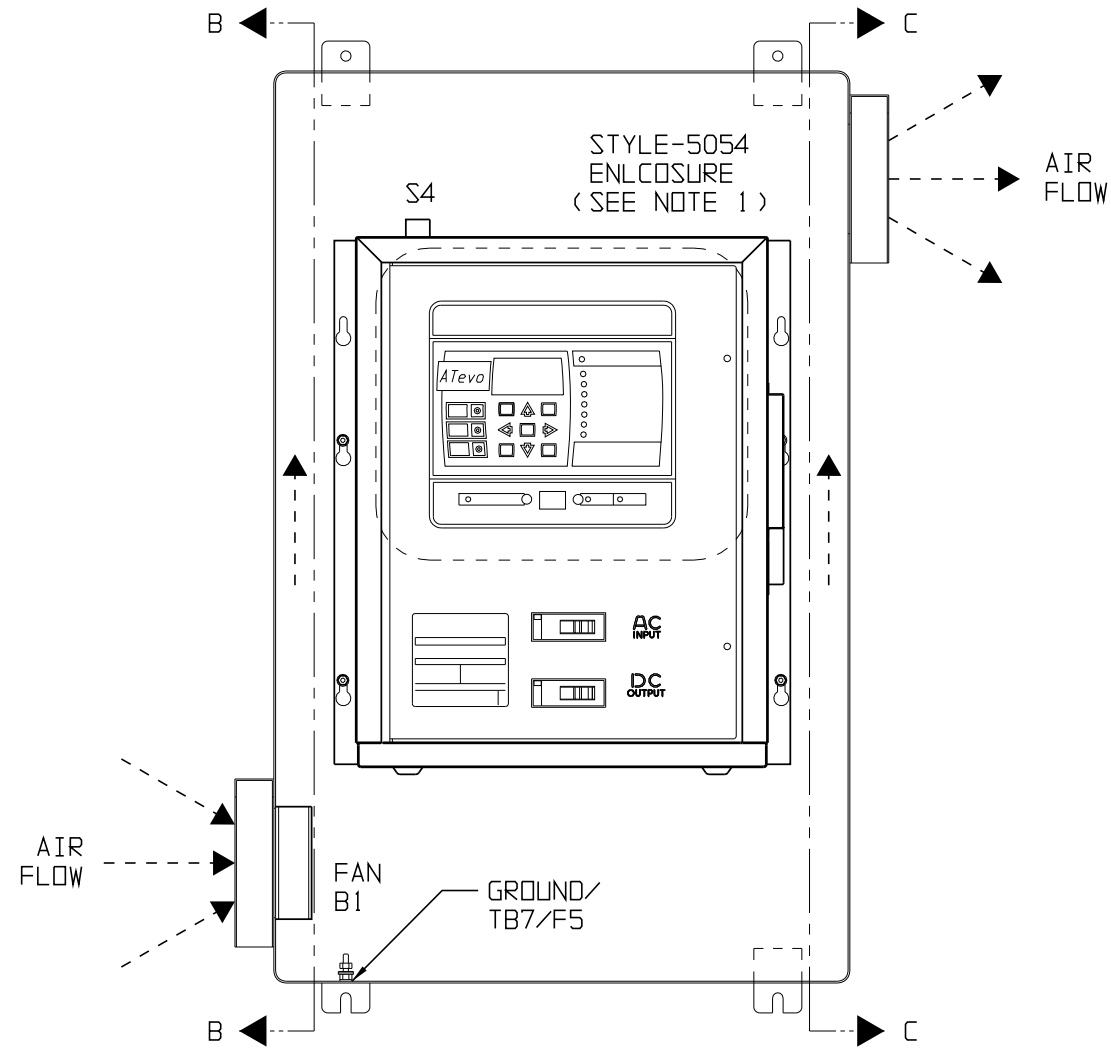
DUAL DIMENSIONS in mm

			<p>THIRD ANGLE PROJECTION</p>			
			DRAWN BY MCR ELECTRONIC APPROVAL SIGNATURES MAINTAINED BY MFG ECN LOG	TITLE ATevo SERIES BATTERY CHARGER OUTLINE: NEMA TYPE-4 ENCLOSURE - STYLE-5036 CABINET		
0	-N/A-	022521	UNLESS OTHERWISE NOTED DIMENSIONS ARE IN INCHES. TOLERANCES ARE:		DRAWING No JE5073-50 REV 0 <b>B</b>	
REV	ECN No	DATE	SCALE NTS	PART No EB5054-04	SHEET 1 OF 2	

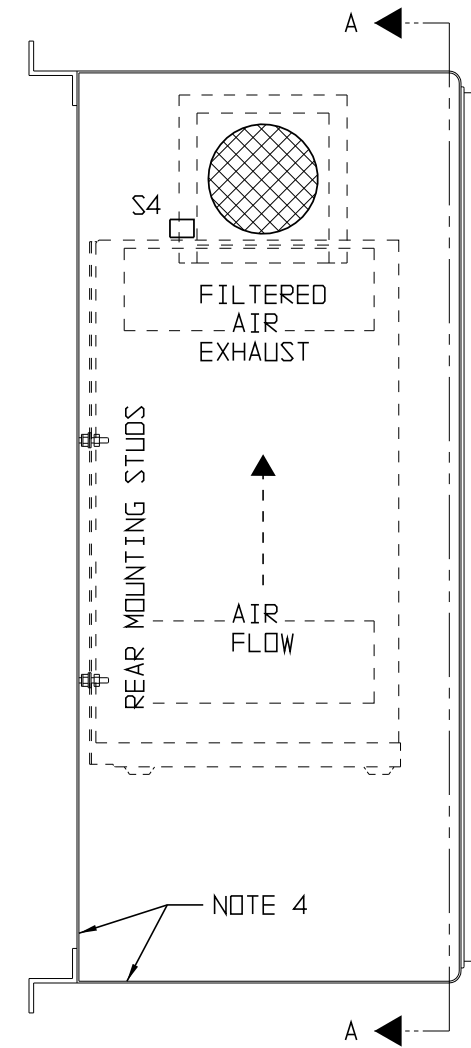
SECTION B-B



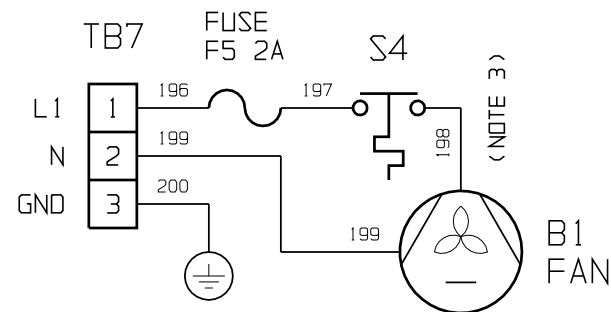
SECTION A-A



SECTION C-C



USER-SUPPLIED  
FAN POWER INPUT  
120VAC-1PH-60Hz  
(SEE NOTE 2)



NOTES:

- 1) THIS DRAWING DEPICTS A NEMA TYPE-4 / IP66 CABINET, HOUSING A STANDARD NEMA-1 ATevo SERIES BATTERY CHARGER. SEE JE5251-00 FOR INTERNAL STYLE-5054 ENCLOSURE SPECIFICATIONS.
- 2) TB7 3-POS FAN EXTERNAL POWER TERMINAL BLOCK BARRIER TYPE, 6-32 BINDER HEAD SCREW TERMINAL, WILL ACCOMMODATE LUGS FOR #16-14 AWG WIRE.
- 3) VENTING FAN (B1) IS INTERMITTENT, ACTIVATED BY THERMAL SWITCH (S4), WHICH CLOSES ON RISE AT 105 °F / 40.6°C AND IS SELF-RESETTING.
- 4) ENCLOSURE INTERNAL FINISH IS SEMI-GLOSS WHITE.

WIRE LIST:

No.	FROM	TO	GA	COLOR
196	TB7-L1	F5-1	14	BLACK
197	F5-2	S4-1	14	BLACK
198	S4-2	B1-1	14	BLACK
199	B1-2	TB7-N	14	BLACK
200	TB7-GND	CHASSIS GROUND	12	GRN/YEL

		TITLE ATevo SERIES BATTERY CHARGER INTERNAL: NEMA TYPE-4 ENCLOSURE - STYLE-5036 CABINET	
DRAWN BY MCR 021221 ELECTRONIC APPROVAL SIGNATURES MAINTAINED BY MFG ECN LOG	DRAWING No JE5073-50		REV 0 <b>B</b>
UNLESS OTHERWISE NOTED DIMENSIONS ARE IN INCHES. TOLERANCES ARE:	SCALE NTS	PART No EB5054-04	SHEET 2 OF 2