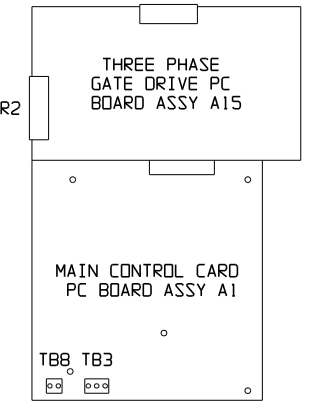


STANDARD DRAWING NOTES:

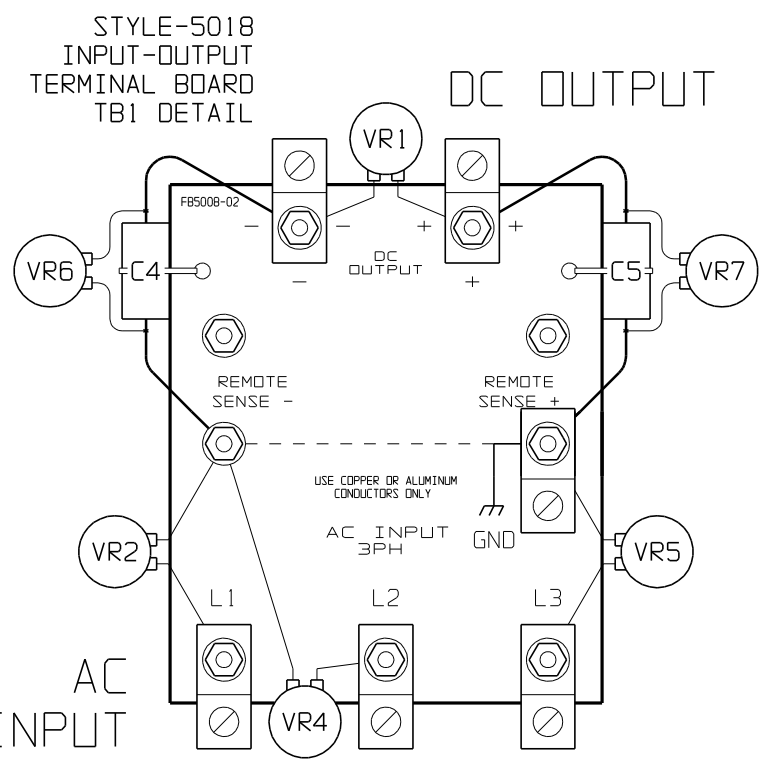
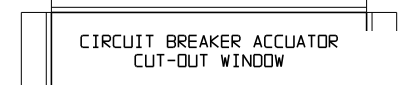
A) ARRANGEMENT AND NUMBER OF COMPONENTS MAY DIFFER SLIGHTLY BASED UPON UNIT RATING AND FEATURED OPTIONS.

SYM	STANDARD COMPONENT DESCRIPTION
A1	MAIN CONTROL PC BOARD
A15	THREE PHASE GATE DRIVE PC BOARD
A16	3PH SCR MODULE ASSY (1x6 Q1-Q6)
A17x	SCR SNUBBER PC BOARD - QTY. (3)
C4	EMI OUTPUT FILTER CAP (NEG-GND)
C5	EMI OUTPUT FILTER CAP (POS-GND)
CB1	AC INPUT CIRCUIT BREAKER (CO3)
CB2	DC OUTPUT CIRCUIT BREAKER (CO2)
CR4	FREE-WHEELING DIODE
L1	MAIN INDUCTOR
R1	MAIN DC SHUNT
R2	CURRENT RATING RESISTOR
R3x	EXT BALLAST RES (130VDC)
T1	POWER ISOLATION TRANSFORMER
TB1	I/O TERMINAL BOARD
TB3	SUMMARY ALARM CONTACTS
TB8	TEMPCO PROBE TERMINAL BLOCK
VR1	OUTPUT SURGE SUPPRESSOR (+TO-)
VR2	INPUT SURGE SUPPRESSOR (LINE 1)
VR4	INPUT SURGE SUPPRESSOR (LINE 2)
VR5	INPUT SURGE SUPPRESSOR (LINE 3)
VR6	OUTPUT SURGE SUPPRESSOR (-)
VR7	OUTPUT SURGE SUPPRESSOR (+)

SYM OPTIONAL COMPONENT DESCRIPTION



FOR DETAIL VIEWS OF ALL PC BOARDS (A1, A5, A17, etc.) SEE DRAWING JE5091-30



I/O TERMINAL	DESCRIPTION - TYPE	CONNECTION
TB1(+/-)	POS/NEG OUTPUT TERMINALS - CU-ALUMINUM COMPRESSION LUG	#14-1/0 AWG
REM SENSE(+/-)	POS/NEG REMOTE SENSE TERMINALS - 1/4-20 ZPS STUDS	1/4in RING LUG
TB1-GND	GROUND TERMINAL - CU-ALUMINUM COMPRESSION LUG	#14-1/0 AWG
TB1-L1/L2/L3	AC INPUT TERMINALS - CU-ALUMINUM COMPRESSION LUG	#14-1/0 AWG
TB3	SUMMARY ALARM TERMINAL BLOCK - SOLDERLESS COMPRESSION	#22-14 AWG
TB8	TEMPCO PROBE (A10) INTERCONNECTION TERMINAL BLOCK	#22-14 AWG

			THIRD ANGLE PROJECTION		TITLE AT30 SERIES BATTERY CHARGER (STANDARD) INTERNAL COMPONENT LAYOUT: STYLE-5018	
			DRAWN BY MCR 020607	DRAWING No JE5088-00		
1	21121	050108	ELECTRONIC APPROVAL SIGNATURES MAINTAINED BY MFG ECN LOG		REV 1	
0	20537	020607	UNLESS OTHERWISE NOTED DIMENSIONS ARE IN INCHES. TOLERANCES ARE:		B	
REV	ECN No	DATE	SCALE NTS	PART No JE5088-00	SHEET 1 OF 1	