

SYM STANDARD COMPONENT DESCRIPTION

A1 MAIN CONTROL PC BOARD
A15 THREE PHASE GATE DRIVE PC BOARD
A16 1x6 SCR (Q1-Q6) MODULE ASSY
A17x SCR SNUBBER PC BOARD - QTY. (3)
C4 EMI OUTPUT FILTER CAP (NEG-GND)
C5 EMI OUTPUT FILTER CAP (POS-GND)
CB1 AC INPUT CIRCUIT BREAKER (CD3)
CB2 DC OUTPUT CIRCUIT BKR (KAL2)
CR4 FREE-WHEELING DIODE
L1 MAIN INDUCTOR
R1 MAIN DC SHUNT
R2 CURRENT RATING RESISTOR
R3x EXT BALLAST RES (130VDC)
R2Bx THERMOSTAT (S2x) SENSE RESISTOR
S2 SCR MODULE (A16) THERMOSTAT
T1 POWER ISOLATION TRANSFORMER
TB1 I/O TERMINAL BOARD
TB3 SUMMARY ALARM CONTACTS
TB8 TEMPCD PROBE TERMINAL BLOCK
VR1 OUTPUT SURGE SUPPRESSOR (+TO-)
VR2 INPUT SURGE SUPPRESSOR (LINE 1)
VR4 INPUT SURGE SUPPRESSOR (LINE 2)
VR5 INPUT SURGE SUPPRESSOR (LINE 3)
VR6 OUTPUT SURGE SUPPRESSOR (-)
VR7 OUTPUT SURGE SUPPRESSOR (+)

SYM OPTIONAL COMPONENT DESCRIPTION

A5 AUXILIARY ALARM RELAY PC BOARD
A10 TEMPERATURE COMPENSATION PROBE
C1 DC OUTPUT FILTER CAPACITOR
C2 BATTERY ELIMINATOR CAPACITOR
CR1 POLARITY DIODE
E13 INDUCTOR INTER-CONNECT POINT
F1A-C AC INPUT FUSES (NOTE 3)
F3 DC OUTPUT FUSE (+ LEG) - NOTE 3
F4 DC OUTPUT FUSE (- LEG) - NOTE 3
L2 FILTER INDUCTOR
R9 FILTER CAP (C1) BLEED RESISTOR
TB4 AUXILIARY ALARM RELAY CONTACTS
VR3 3PH AC INPUT LIGHTNING ARRESTOR

STANDARD DRAWING NOTES:

A) ARRANGEMENT AND NUMBER OF COMPONENTS MAY DIFFER SLIGHTLY BASED UPON UNIT RATING AND FEATURED OPTIONS.

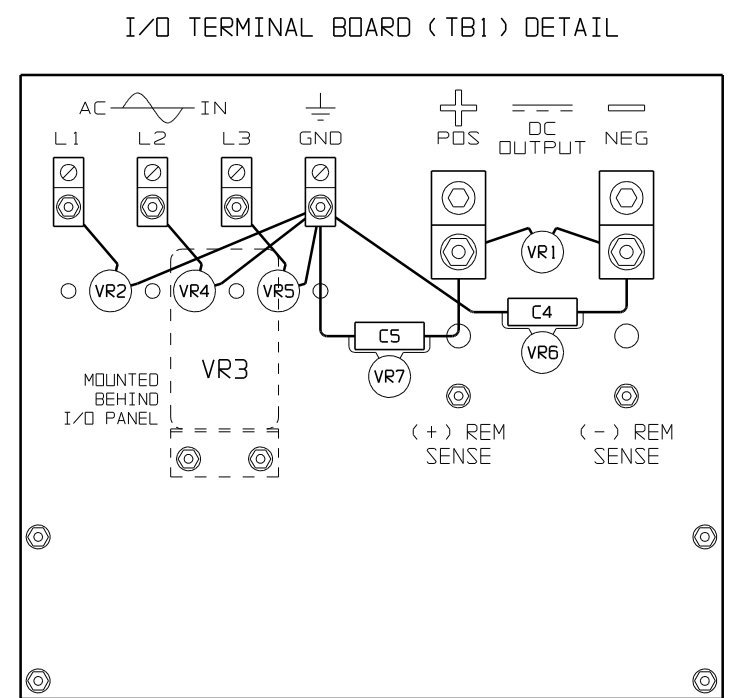
B) SEE JES163-00 FOR A16 DETAILS.

C) FOR CERTAIN RATINGS, INCLUSION OF AC AND/OR DC FUSES IN STYLE-5030 ENCLOSURE MAY NECESSITATE UPGRADE TO LARGER CABINET STYLE.

NOTES:

1) FOR DETAIL VIEWS OF ALL PC BOARDS (A1, A5, A15, A17, etc.) SEE DRAWING JES091-39.

2) I/O PANEL TERMINAL BOARD (TB1) NOT SHOWN FOR CLARITY OF VIEW. SEE DETAIL TO RIGHT.



I/O TERMINAL	DESCRIPTION - TYPE	CONNECTION
TB1(+/-)	POS/NEG OUTPUT TERMINALS - CU-ALUMINUM COMPRESSION LUG	#6 AWG-350 MCM
REM SENSE(+/-)	POS/NEG REMOTE SENSE TERMINALS - 1/4-20 ZPS STUDS	0.250 RING LUG
(2) TB1-GND	GROUND TERMINAL - CU-ALUMINUM COMPRESSION LUG	#14-1/0 AWG
TB1-L1/L2/L3	AC INPUT TERMINALS - CU-ALUMINUM COMPRESSION LUG	#14-1/0 AWG
TB3	SUMMARY ALARM TERMINAL BLOCK - SOLDERLESS COMPRESSION	#22-14 AWG
TB4	AUXILIARY ALARM TERM BLOCK - SOLDERLESS COMPRESSION	#22-14 AWG
TB8	TEMPCD PROBE (A10) INTERCONNECTION TERMINAL BLOCK	#22-14 AWG

DRAWN BY MCR		020607		TITLE AT30 SERIES BATTERY CHARGER (OPTIONAL) INTERNAL COMPONENT LAYOUT: STYLE-5030	
APPROVED				DRAWING No JES089-99	
0	20537	020607		REV 0	B
REV	ECN No	DATE	APP	SCALE NTS	PART No JES089-99 SHEET 1 OF 1