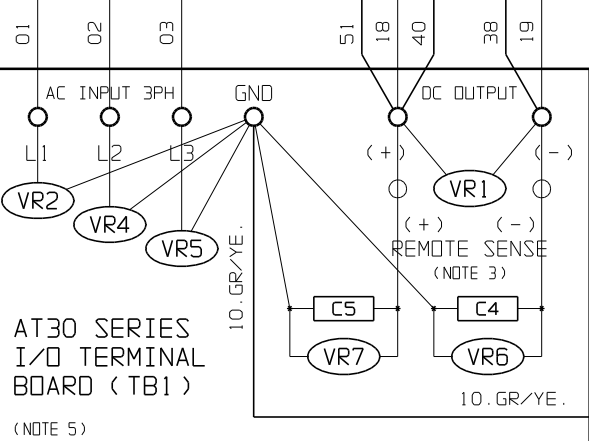


NOTE:
 NUMBER, TYPE AND ARRANGEMENT OF CONTROL CONTACTS ON 6-PULSE RECTIFIER ASSY (A16) VARIES, BASED UPON UNIT RATING. SEE DETAIL DRAWING (JE5163-00) FOR SPECIFIC SCR MODULE CONTROL WIRING. RECTIFICATION SCHEMATIC LABEL ON SIDE OF SCR MODULE(S) ALSO DETAILS CONTROL CONTACT POINTS.

6-PULSE SCR (Q1-Q6) MODULE RECTIFIER ASSEMBLY (A16)



AT30 SERIES I/O TERMINAL BOARD (TB1)

- NOTES:
- 1) CHARGER COMPONENTS ARE CONNECTED WITH FLAME-RETARDANT SWITCHBOARD INSULATION TYPE WIRING, IDENTIFIED ON EACH END WITH NUMBER-CODED MARKERS.
 - 2) GROUND WIRES #10, #47 & #52 ARE GREEN W/YELLOW STRIPE.
 - 3) WHEN REMOTE SENSE IS USED, WIRE #38 CONNECTS J25-08 TO REM SENSE(-), AND #40 CONNECTS J25-10 TO REM SENSE(+).
 - 4) 130 VDC (R3A/B) ARRANGEMENT SHOWN, IN 48 VDC UNITS, R3 IS ONE (1) RESISTOR. IN 12/24 VDC UNITS, R3 IS INTERNAL TO GATE DRIVE PCB (A15), AND WIRES #49 & #51 ARE NOT USED.

- NOTES:
- 5) TERMINAL ORIENTATION ON I/O PANEL (TB1) DIFFERS WITH UNIT ENCLOSURE TYPE, SEE APPROPRIATE INTERNAL COMPONENT DRAWING FOR EXACT LAYOUT OF INDIVIDUAL I/O PANELS (STYLE-5030 TYPE SHOWN).
 - 6) OVER-TEMP CIRCUIT COMPONENTS (R28x/S2x) AND WIRES #34 AND #54 ARE NOT USED IN UNITS RATED 75 Adc OR LOWER.
 - 7) IN FILTERED UNITS, WIRE #50 CONNECTS TO INDUCTOR INTERCONNECT POINT (E13) AS SHOWN. WIRE #50 CONNECTS TO CB2-1(+) IN UNFILTERED UNITS.

			THIRD ANGLE PROJECTION		TITLE AT30 SERIES BATTERY CHARGER CONNECTION DIAGRAM: MAIN CONTROL (SIGNAL) WIRING	
1	21119	043008	DRAWN BY MCR 012307	DRAWING No JE5094-00		REV 1
0	20522	012307	ELECTRONIC APPROVAL SIGNATURES MAINTAINED BY MFG ECN LOG		B	
UNLESS OTHERWISE NOTED DIMENSIONS ARE IN INCHES. TOLERANCES ARE:			SCALE NTS		PART No JE5094-00	SHEET 1 OF 1