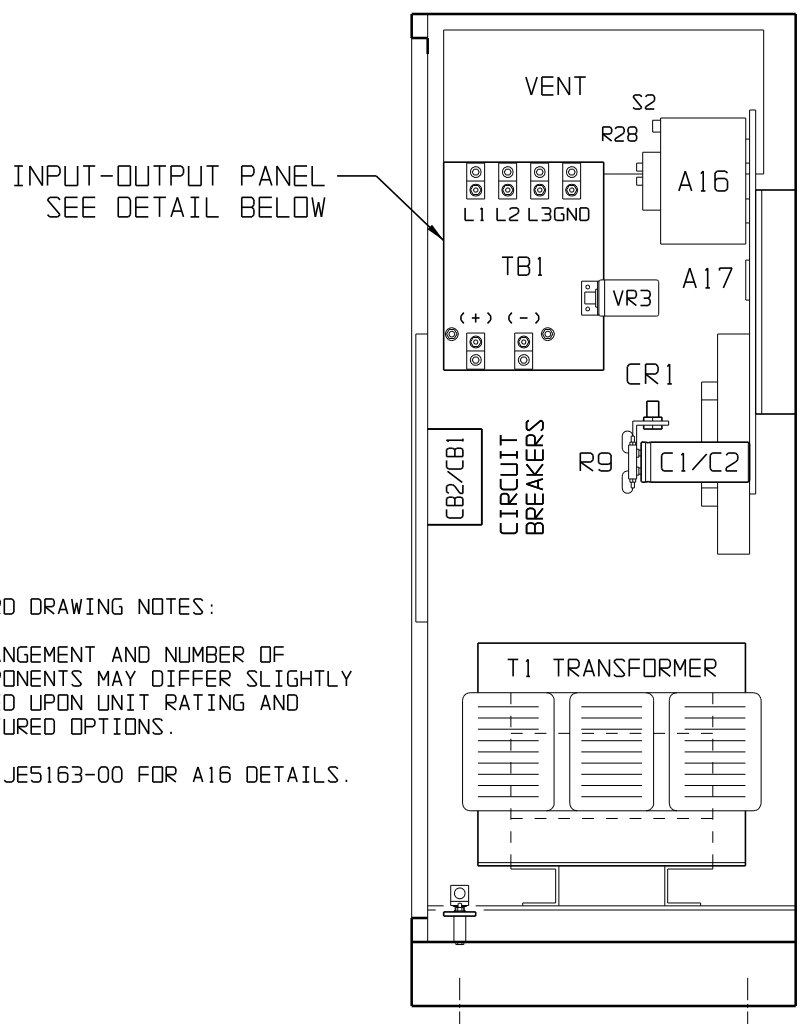


SYM	STANDARD COMPONENT DESCRIPTION
A1	MAIN CONTROL PC BOARD
A15	THREE PHASE GATE DRIVE PC BOARD
A16	3PH SCR MODULE ASSY (1x6 Q1-Q6)
A17x	SCR SNUBBER PC BOARD - QTY. (3)
C4	EMI OUTPUT FILTER CAP (NEG-GND)
C5	EMI OUTPUT FILTER CAP (POS-GND)
CB1	AC INPUT CIRCUIT BREAKER
CB2	DC OUTPUT CIRCUIT BREAKER
CR4	FREE-WHEELING DIODE
L1	MAIN INDUCTOR
R1	MAIN DC SHUNT
R2	CURRENT RATING RESISTOR
R3x	EXT BALLAST RESISTOR (130VDC)
R28x	THERMOSTAT (S2x) SENSE RESISTOR
S2x	SCR MODULE (A16) THERMOSTAT
T1	POWER ISOLATION TRANSFORMER
TB1	I/O TERMINAL BOARD
TB3	SUMMARY ALARM CONTACTS
TB8	DPT. TEMPCO PROBE TERM BLOCK
VR1	OUTPUT SURGE SUPPRESSOR (+TO-)
VR2	INPUT SURGE SUPPRESSOR (LINE 1)
VR4	INPUT SURGE SUPPRESSOR (LINE 2)
VR5	INPUT SURGE SUPPRESSOR (LINE 3)
VR6	OUTPUT SURGE SUPPRESSOR (-)
VR7	OUTPUT SURGE SUPPRESSOR (+)

SYM	OPTIONAL COMPONENT DESCRIPTION
A5	AUXILIARY ALARM RELAY PC BOARD
A10	EXTERNAL TEMPCO PROBE
C1	DC OUTPUT FILTER CAPACITOR
C2	BATTERY ELIMINATOR FILTER CAP
CR1	POLARITY DIODE
E13	INDUCTOR INTER-CONNECT POINT
F1A-C	AC INPUT FUSES
F3	DC OUTPUT FUSE (+ LEG)
F4	DC OUTPUT FUSE (- LEG)
L2	FILTER INDUCTOR
R9	FILTER CAP (C1) BLEED RESISTOR
TB4	AUX ALARM PCB TERMINAL BLOCK
VR3	AC INPUT LIGHTNING ARRESTOR

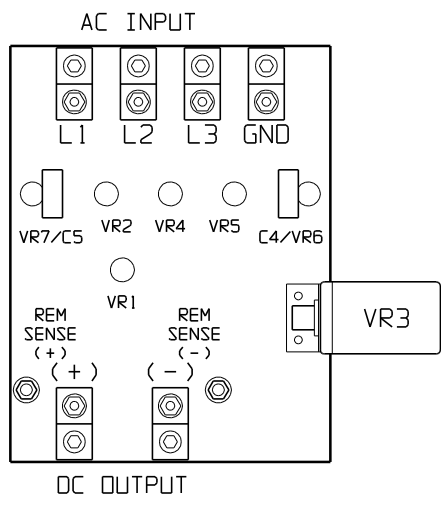
SECTION A-A



INPUT-OUTPUT PANEL  
SEE DETAIL BELOW

STANDARD DRAWING NOTES:  
A) ARRANGEMENT AND NUMBER OF COMPONENTS MAY DIFFER SLIGHTLY BASED UPON UNIT RATING AND FEATURED OPTIONS.  
B) SEE JE5163-00 FOR A16 DETAILS.

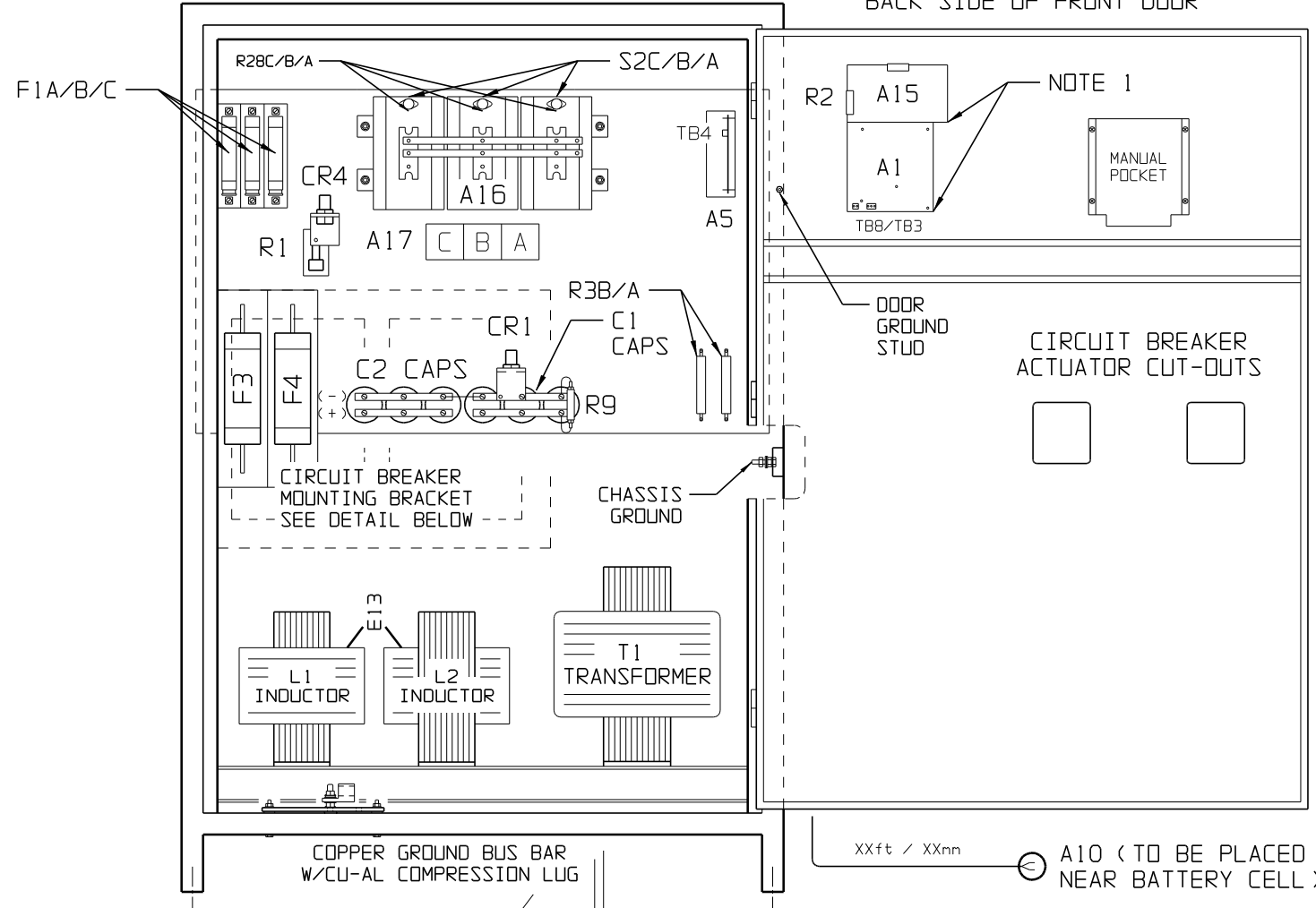
I/O TERMINAL BOARD (TB1) DETAIL



NOTES:  
1) FOR DETAIL VIEWS OF ALL PC BOARDS (A1, A5, A15, A17, etc.) SEE DRAWING JE5091-39.  
2) CIRCUIT BREAKER(S) MOUNTED ON SIDE BRACKET, NOT SHOWN FOR CLARITY OF VIEW.

A ←

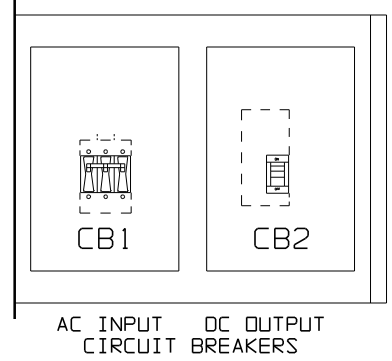
BACK SIDE OF FRONT DOOR



CIRCUIT BREAKER ACTUATOR CUT-OUTS

COPPER GROUND BUS BAR W/CU-AL COMPRESSION LUG  
XXft / XXnn ⊖ A10 (TO BE PLACED NEAR BATTERY CELL)

A ←



I/O TERMINAL	DESCRIPTION - TYPE	CONNECTION
TB1(+/-)	POS/NEG OUTPUT TERMINALS - CU-ALUMINUM COMPRESSION LUG	#6 AWG-350 MCM
REM SENSE (+/-)	POS/NEG REMOTE SENSE TERMS - 0.375-16 ZPS STUD	0.375-SIZED LUG
TB1-GND	GROUND TERMINAL - CU-ALUMINUM COMPRESSION LUG	#6 AWG-350 MCM
TB1-L1/L2/L3	AC INPUT TERMINALS - CU-ALUMINUM COMPRESSION LUG	#6 AWG-350 MCM
TB3	SUMMARY ALARM TERMINAL BLOCK - SOLDERLESS COMPRESSION	#22-14 AWG
TB8	TEMPCO PROBE (A10) INTERCONNECTION TERMINAL BLOCK	#22-14 AWG
TB4	AUXILIARY ALARM RELAY PC BOARD (A5) TERMINAL BLOCK	#22-14 AWG

				 THIRD ANGLE PROJECTION			
				DRAWN BY MCR APPROVED	020607	TITLE AT30 SERIES BATTERY CHARGER (OPTIONAL) INTERNAL COMPONENT LAYOUT: STYLE-163	
0	20537	020607		UNLESS OTHERWISE NOTED DIMENSIONS ARE IN INCHES. TOLERANCES ARE:		DRAWING No JE5098-99	REV 0
REV	ECN No	DATE	APP	SCALE NTS	PART No JE5098-99	SHEET 1 OF 1	<b>B</b>