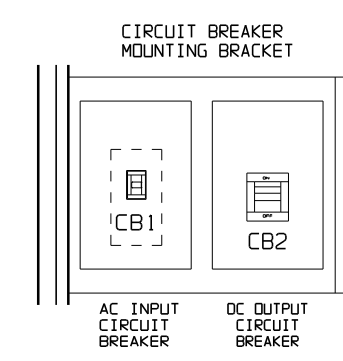
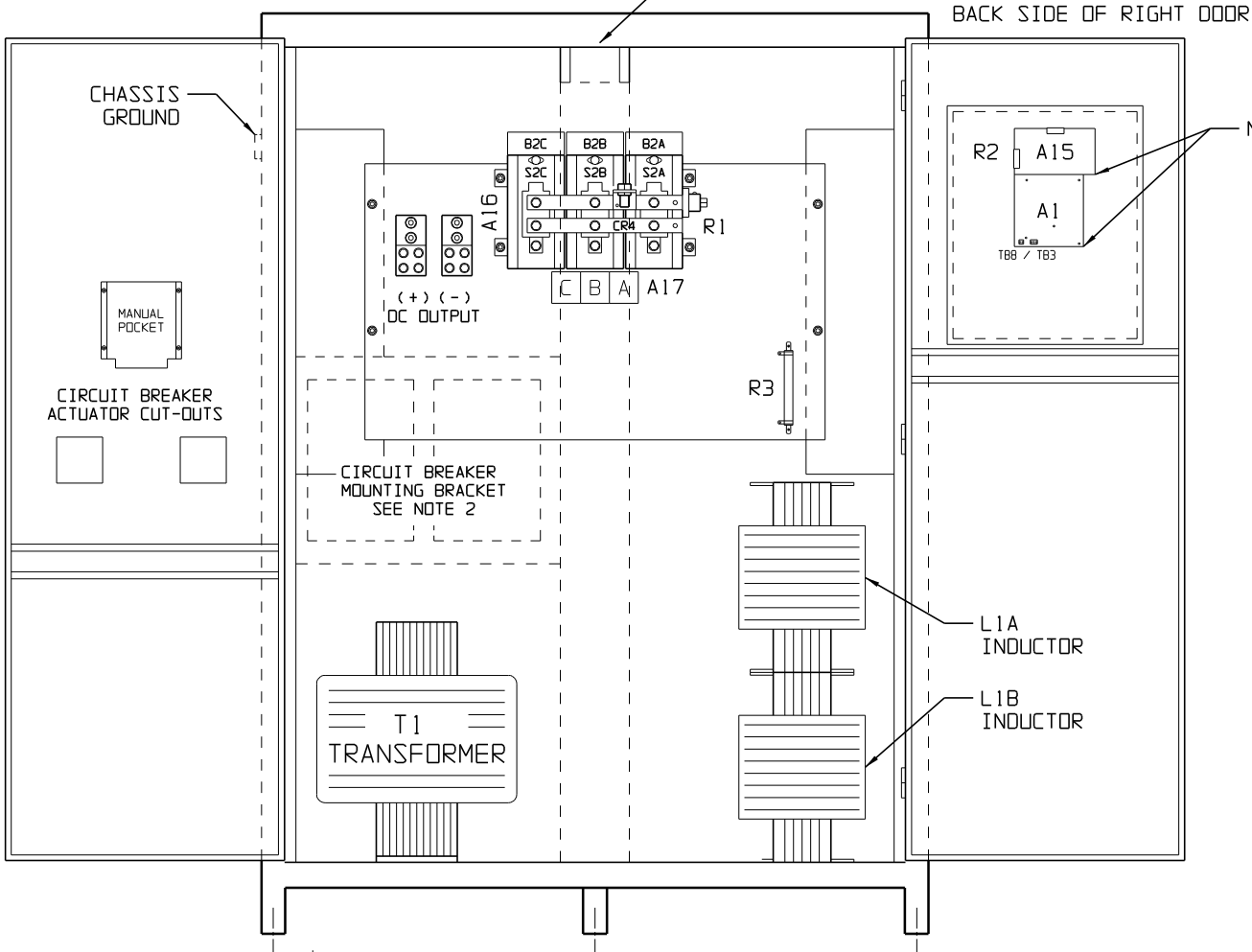
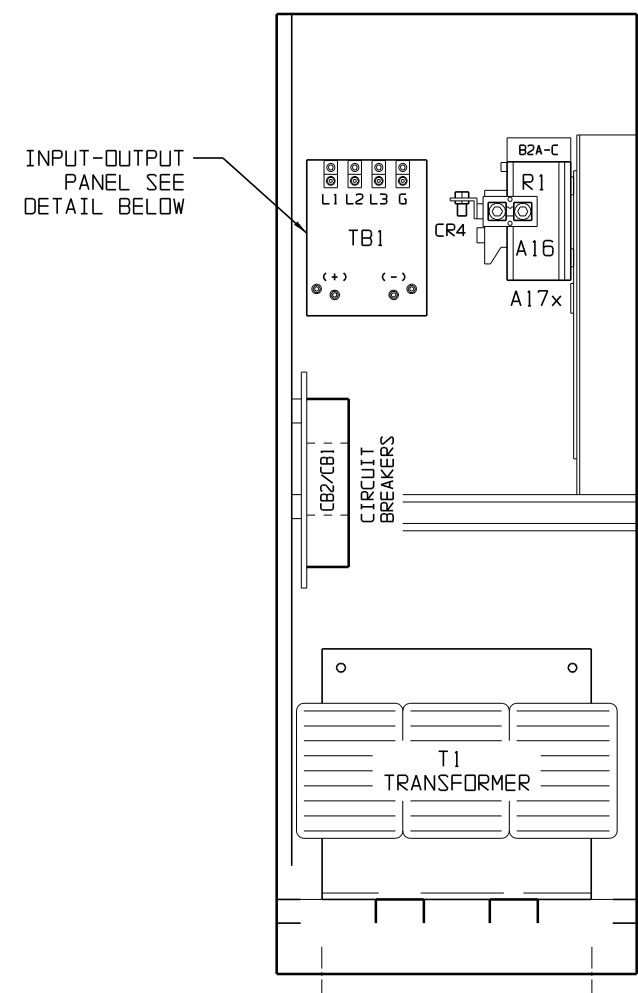


SECTION A-A

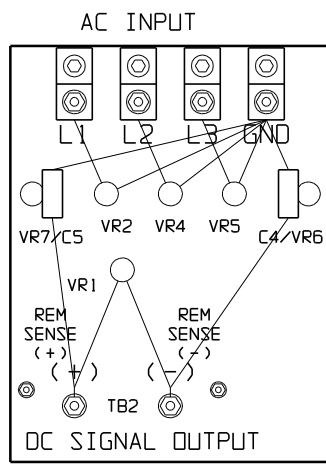


**SYM STANDARD COMPONENT DESCRIPTION**

A1	MAIN CONTROL PC BOARD
A15	THREE PHASE GATE DRIVE PC BOARD
A16	3PH SCR MODULE ASSY (1x6 Q1-Q6)
A17x	SCR SNUBBER PC BOARD - QTY. (3)
B2	SCR MODULE (A16) COOLING FAN
C4	EMI OUTPUT FILTER CAP (NEG-GND)
C5	EMI OUTPUT FILTER CAP (POS-GND)
CB1	AC INPUT CIRCUIT BREAKER
CB2	DC OUTPUT CIRCUIT BREAKER
CR4	FREE-WHEELING DIODE
L1x	MAIN INDUCTOR
R1	MAIN DC SHUNT
R2	CURRENT RATING RESISTOR
R3	EXT BALLAST RESISTOR
R28x	THERMOSTAT (S2x) SENSE RESISTOR
S2x	SCR MODULE (A16) THERMOSTAT
T1	POWER ISOLATION TRANSFORMER
TB1	I/O TERMINAL BOARD
TB3	SUMMARY ALARM CONTACTS
TB8	OPT. TEMPCD PROBE TERM BLOCK
VR1	OUTPUT SURGE SUPPRESSOR (+TO-)
VR2	INPUT SURGE SUPPRESSOR (LINE 1)
VR4	INPUT SURGE SUPPRESSOR (LINE 2)
VR5	INPUT SURGE SUPPRESSOR (LINE 3)
VR6	OUTPUT SURGE SUPPRESSOR (-)
VR7	OUTPUT SURGE SUPPRESSOR (+)

**SYM OPTIONAL COMPONENT DESCRIPTION**


I/O TERMINAL BOARD (TB1) DETAIL



- NOTES:**
- 1) FOR DETAIL VIEWS OF ALL PC BOARDS (A1, A5, A15, A17, etc.) SEE DRAWING JE5091-30.
  - 2) CIRCUIT BREAKER(S) MOUNTED ON SIDE BRACKET, NOT FULLY SHOWN FOR CLARITY.
  - 3) CENTER DIVIDER NOT SHOWN FOR CLARITY OF INTERNAL VIEW.

I/O TERMINAL	DESCRIPTION - TYPE	CONNECTION
TB1(+/-)	POS/NEG OUTPUT TERMINALS - CU-ALUMINUM COMPRESSION LUG	(2) 350-600 MCM
REM SENSE (+/-)	POS/NEG REMOTE SENSE TERMINALS - 1/4-20 ZPS STUDS	1/4in RING LUG
TB1-GND	GROUND TERMINAL - CU-ALUMINUM COMPRESSION LUG	#6 AWG-350 MCM
TB1-L1/L2/L3	AC INPUT TERMINALS - CU-ALUMINUM COMPRESSION LUG	#6 AWG-350 MCM
TB3	SUMMARY ALARM TERMINAL BLOCK - SOLDERLESS COMPRESSION	#22-14 AWG
TB8	TEMPCD PROBE (A10) INTERCONNECTION TERMINAL BLOCK	#22-14 AWG

			 THIRD ANGLE PROJECTION	
DRAWN BY		MCR	102908	
ELECTRONIC APPROVAL SIGNATURES MAINTAINED BY MFG ECN LOG				
UNLESS OTHERWISE NOTED DIMENSIONS ARE IN INCHES. TOLERANCES ARE:			TITLE	
			AT30 SERIES BATTERY CHARGER (STANDARD) INTERNAL COMPONENT LAYOUT: STYLE-198	
REV		0	DRAWING No	
ECN No		20437	JE5099-00	
DATE		102908	REV	
			0	
			B	
			SCALE	
			NTS	
			PART No	
			JE5099-00	
			SHEET	
			1 OF 1	