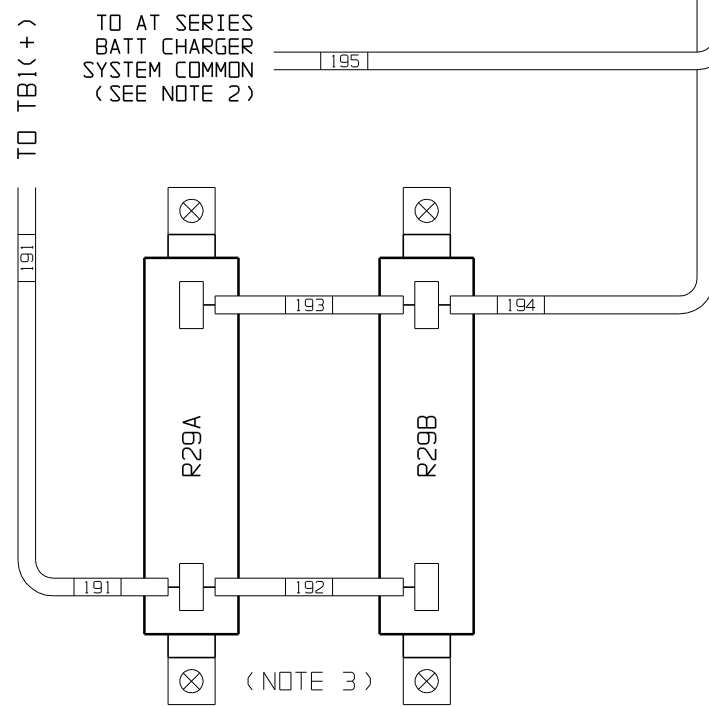
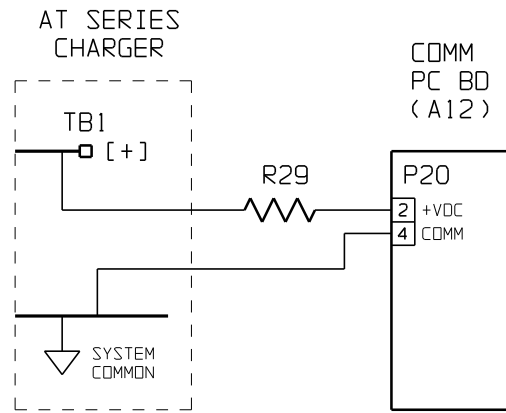
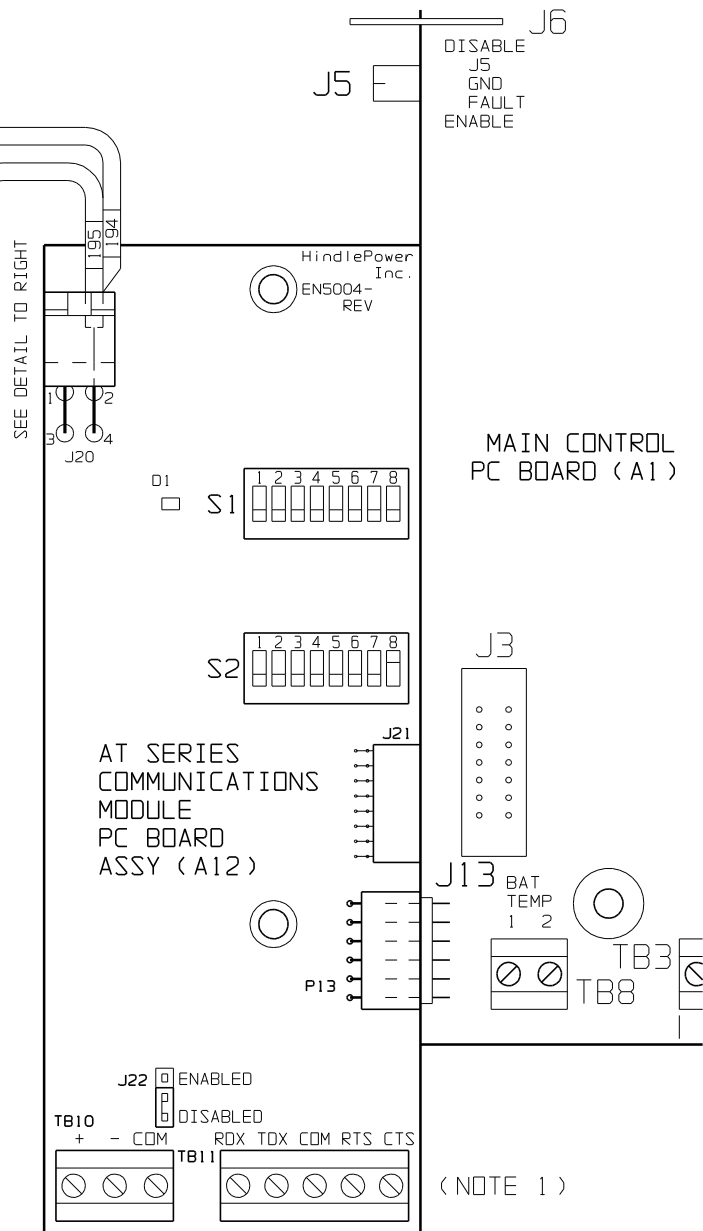


SYSTEM SCHEMATIC



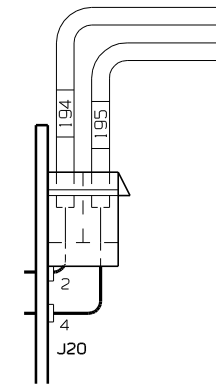
WIRING DIAGRAM

- NOTES:
- UNLESS OTHERWISE SPECIFIED, ALL USER TERMINAL BLOCKS (TB10/TB11) ARE SOLDERLESS COMPRESSION TERMINALS. CONTACT RATING IS 0.5A @ 125VAC/DC, ACCEPTING #22-14 AWG. WIRE.
 - WIRE #195 RUNS FROM A12-J20-4 TO AT SERIES CHARGER SYSTEM COMMON:
 AT10.1 G1: A3-E10
 AT10.1 G2: W2(-)
 AT30: R1-1(-)
 - BALLAST RESISTOR R29 CONSISTS OF TWO (2) RESISTORS CONNECTED IN PARALLEL FOR 130VDC UNITS. IN 48, 24 AND 12VDC UNITS, R29 CONSISTS OF ONE (1) RESISTOR AND WIRES #192 AND #193 ARE NOT USED.



BACK VIEW
FACING CHARGER COMPONENTS
WHEN INSTALLED

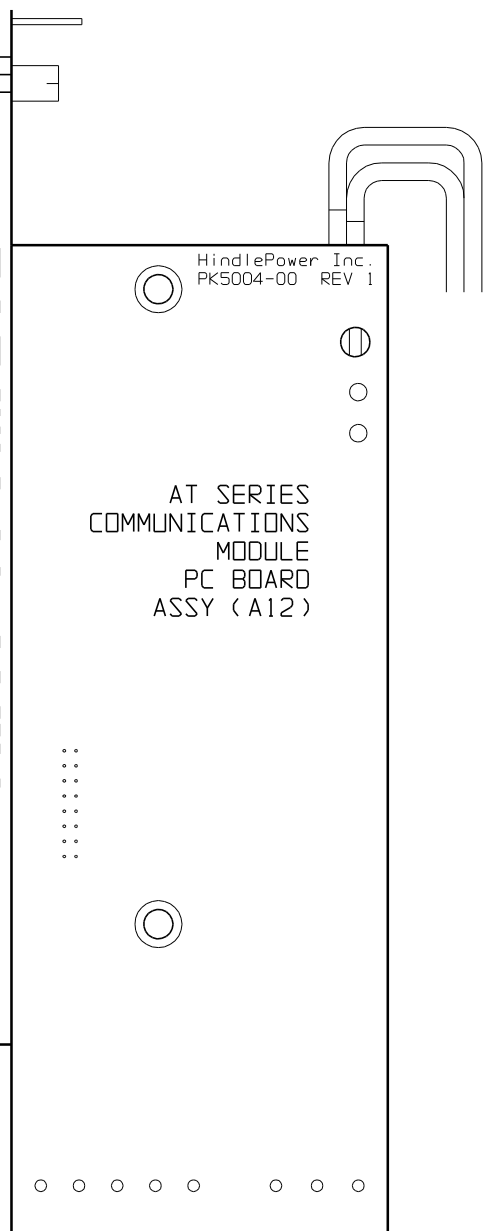
SIDE VIEW
OF PC BOARD



MAIN CONTROL
PC BOARD (A1)

- DS13 ⊗
- DS14 ⊗
- DS15 ⊗
- DS16 ⊗
- DS17 ⊗
- DS18 ⊗

HINDLEPOWER INC EN5002-REV I



FRONT VIEW
FACING CHARGER DOOR
WHEN INSTALLED

- INDICATOR LIGHTS:
 D1 - STATUS LED
- JUMPERS:
 J20 - POWER SUPPLY CONNECTION
 J21 - FACTORY CONNECTION
 J22 - RS-485 TERMINATING RESISTOR (ENABLE/DISABLE)
- CONNECTORS:
 P13 - PLUG FOR MAIN CONTROL PCB (A1)
 J13 CONNECTION
- SWITCHES:
 S1 - CONFIGURATION SWITCHES
 S2 - MODBUS ADDRESS
- TERMINAL BLOCKS:
 TB10 - RS-485 USER CONNECTION
 TB11 - RS-232 USER CONNECTION

(NOTE 1)

				 THIRD ANGLE PROJECTION					
				DRAWN BY MCR APPROVED TWH	051705 060805	TITLE AT SERIES BATT CHGR COMMUNICATIONS MODULE PC BOARD ASSEMBLY DETAIL			
				UNLESS OTHERWISE NOTED DIMENSIONS ARE IN INCHES. TOLERANCES ARE:		DRAWING No JE5107-00	REV 1 B		
REV	ECN No	DATE	APP	SCALE	NTS	PART No	JE5107-00	SHEET	1 OF 1