

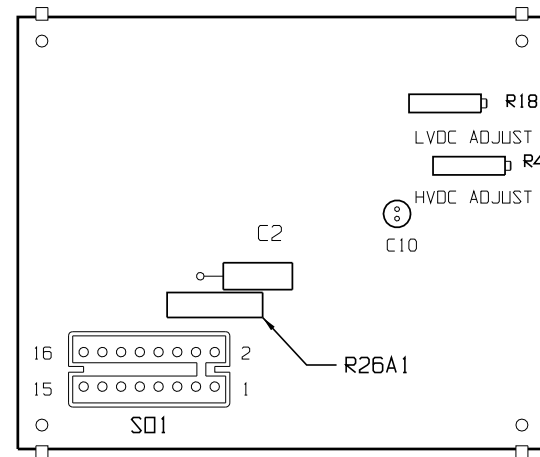
NOTES:

- 1) ENCLOSURE IS A NEMA-1 / IP20 TYPE STEEL CABINET WITH TOP AND BOTTOM VENTED PANELS. FINISH IS ANSI-61 GRAY EPOXY POWDERCOAT.
- 2) FRONT PANEL HINGES DOWN, AND GROUND STUDS ARE PROVIDED INTERNALLY.
- 3) ENCLOSURE FEATURES TWO (2) PRE-FAB KEY-SLOT KNOCK-OUTS AS SHOWN FOR 1in / 25mm CONDUIT ENTRY. RUBBER GROMETS ARE SUPPLIED.
- 4) ENCLOSURE FEATURES FOUR (4) .313in / 7.9mm HOLES FOR WALL-MOUNTING WITH USER-SUPPLIED 0.25in / 6.4mm HARDWARE.
- 5) reserved
- 6) VENT/FAN CONTROL ASSEMBLY IS NOT A UL, CSA, CE, OR NRTL LISTED UNIT.
- 7) SEE JA5052-10 FOR INSTALLATION & OPERATING INSTRUCTIONS.

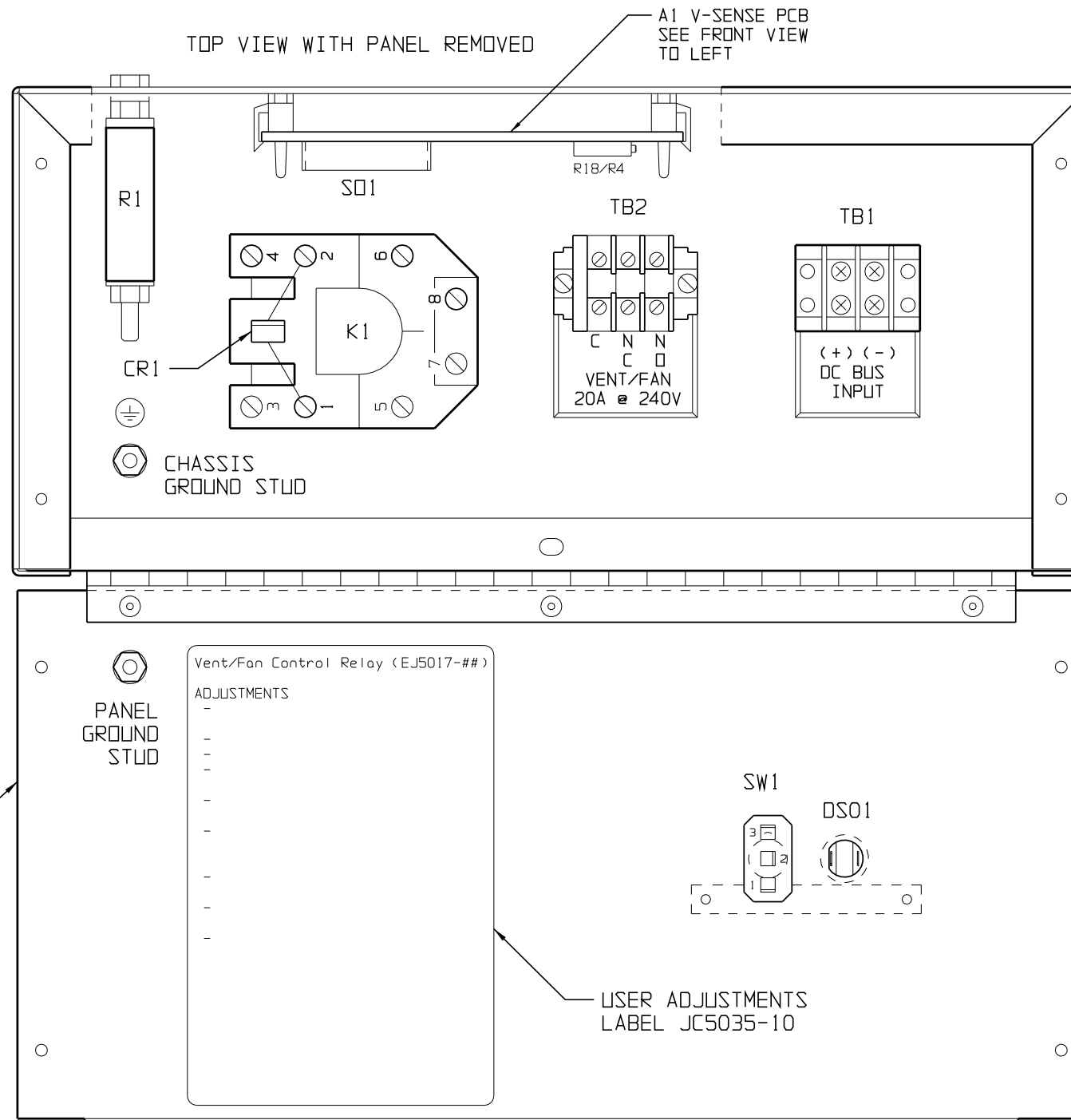
DUAL DIMENSIONS in mm

| | | | | | | | | |
|-----|--------|--------|---|--|----------------------|-------------------|--------------|----------|
| | | | THIRD ANGLE PROJECTION | | | | | |
| | | | DRAWN BY MCR 102319 ELECTRONIC APPROVAL SIGNATURES MAINTAINED BY MFG ECN LOG | TITLE AT SERIES VENT/FAN CTRL ASSY OUTLINE: NEMA-1 STYLE-599 ENCLOSURE 20A EJ5017-36 | | | | |
| A | -N/A- | 102319 | UNLESS OTHERWISE NOTED DIMENSIONS ARE IN INCHES. TOLERANCES ARE: | | DRAWING No JE5119-36 | | REV A | B |
| REV | ECN No | DATE | | | SCALE NTS | PART No JE5119-36 | SHEET 1 OF 2 | |

A1 VOLTAGE SENSE CTRL PC BOARD
(FRONT VIEW)



TOP VIEW WITH PANEL REMOVED



| SYM | STANDARD COMPONENT DESCRIPTION |
|-------|---------------------------------|
| A1 | VOLTAGE SENSE CTRL PC BOARD |
| R4 | PCB (A1) HIGH ADJ POTENTIOMETER |
| R18 | PCB (A1) LOW ADJ POTENTIOMETER |
| R26A1 | PCB (A1) VDC RATING RESISTOR |
| SO1 | PCB (A1) WIRING SOCKET |
| CR1 | RELAY (K1) PROTECTION DIODE |
| DS01 | VENT/FAN ON (GREEN) IND LIGHT |
| K1 | POWERED (20A) DPDT RELAY |
| R1 | PCB (A1) P/S BALLAST RESISTOR |
| SW1 | MANUAL (ON/OFF) TOGGLE SWITCH |
| TB1 | DC BUS INPUT TERMINAL BLOCK |
| TB2 | VENT/FAN CONTACT TERMINAL BLOCK |

INSIDE SURFACE
OF OPENED
HINGED FRONT
PANEL

NOTES:

- GROUND STUDS ARE PROVIDED INTERNALLY.
- VENT/FAN CONTROL ASSEMBLY IS NOT A UL, CSA, CE, OR NRTL LISTED UNIT.
- SEE JA5052-10 FOR INSTALLATION & OPERATING INSTRUCTIONS.

| I/O TERMINAL | DESCRIPTION - TYPE | CONNECTION |
|--------------|---|--------------|
| TB1 | DC BUS (+/-) INPUT TERMINAL BLOCK - 6-32 COMP SCREWS | #16-14 AWG |
| TB2 | VENT/FAN CONTACT TERMINAL BLOCK - TUBULAR COMP SCREWS | #18-8 AWG |
| GND | CHASSIS / PANEL GROUND - 10-32 ZPS STUD HARDWARE | #10 RING LUG |

| | | | | |
|---|--------|--|-------------------|--------------------------------|
| THIRD ANGLE PROJECTION | | TITLE AT SERIES VENT/FAN CONTROL INTERNAL COMP LAYOUT ST-599 ENCL 20A EJ5017-36 | | |
| DRAWN BY MCR ELECTRONIC APPROVAL SIGNATURES MAINTAINED BY MFG ECN LOG | 102319 | | | DRAWING No JE5119-36 |
| UNLESS OTHERWISE NOTED DIMENSIONS ARE IN INCHES. TOLERANCES ARE: | | SCALE NTS | PART No JE5119-36 | SHEET 2 OF 2 |