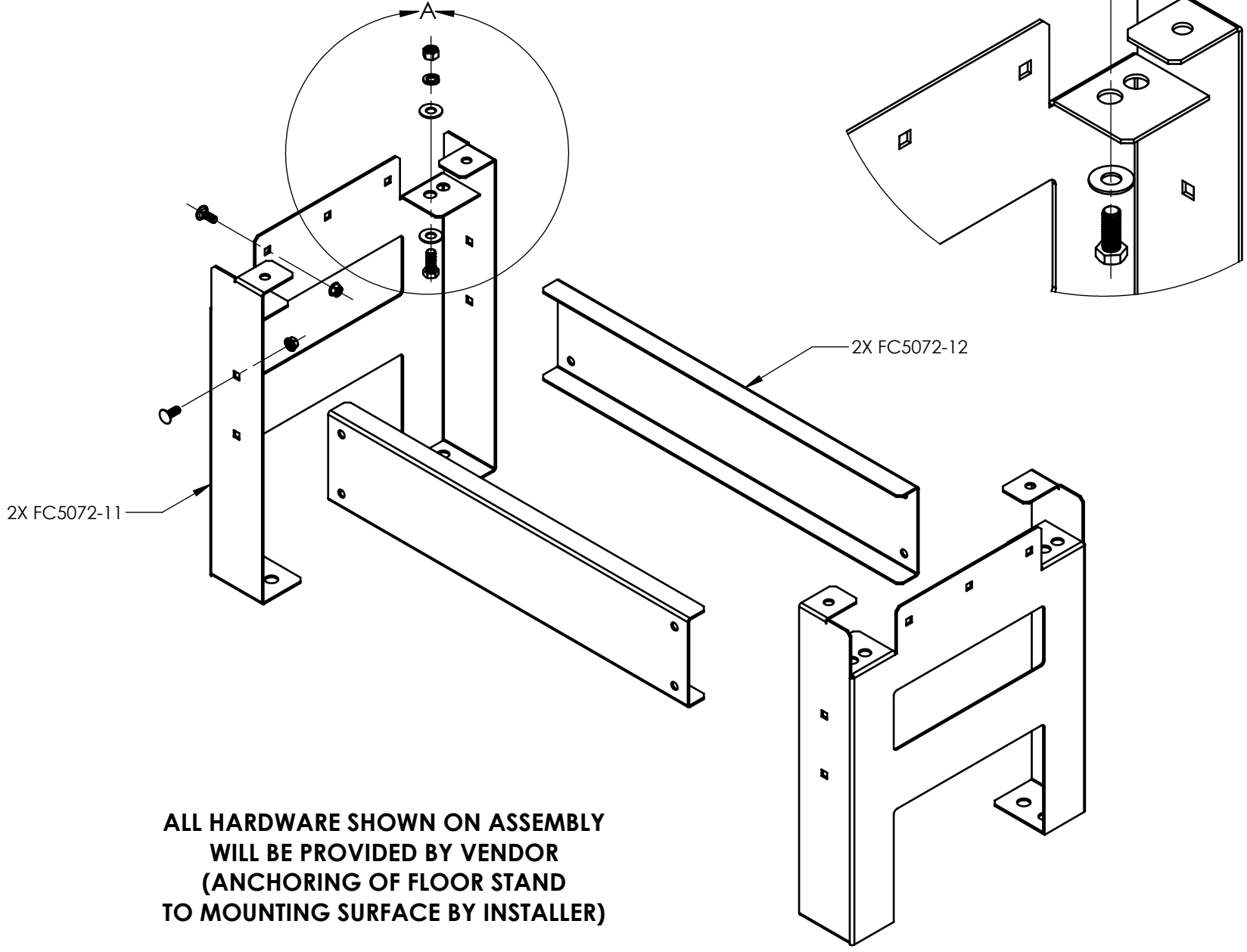
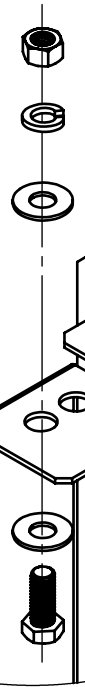


**TO LIFT ASSEMBLY  
MAKE SURE CHARGER  
AND FLOOR STAND ARE BOLTED  
TOGETHER, THEN LIFT FRONT  
BASE OF BATTERY CHARGER**

DETAIL A  
SCALE 1 : 4



**ALL HARDWARE SHOWN ON ASSEMBLY  
WILL BE PROVIDED BY VENDOR  
(ANCHORING OF FLOOR STAND  
TO MOUNTING SURFACE BY INSTALLER)**

P:\E\IE\IE0184\support files\IE0184-31

REV. 0	DRN BY	CHK BY	APP BY	DATE	DRN BY CIA	DATE: 11/14/2018			
DESCRIPTION FIRST RELEASE					CHK BY	DATE:			
					APP BY	DATE:	TITLE FLOOR STAND FIELD INSTALLATION AT30 STYLE-5030 ENCLOSURE (IE0184-31)		
PROPERTY AND CONFIDENTIAL NOTICE ANY REPRODUCTION, PARTIAL OR AS A WHOLE OF THIS DOCUMENT WITHOUT THE WRITTEN PERMISSION OF HINDLE POWER, INC IS STRICTLY PROHIBITED.					UNLESS OTHERWISE SPECIFIED ALL DIMENSIONS FOLLOW THE ANSI SYSTEM IPS (INCHES-POUNDS & SECONDS) TOLERANCES ARE: FRAC. ±1/64, DEC. ±0.015, ANG ±.25°				
					SCALE 1:16	DWG No <b>JE5123-03</b>	REV 0	SHEET 1 OF 1	