

PART No.	VOLTAGE RATING	CURRENT RATING
EJ5144-03	250 VDC	500 ADC
EJ5144-07	600 VDC	500 ADC

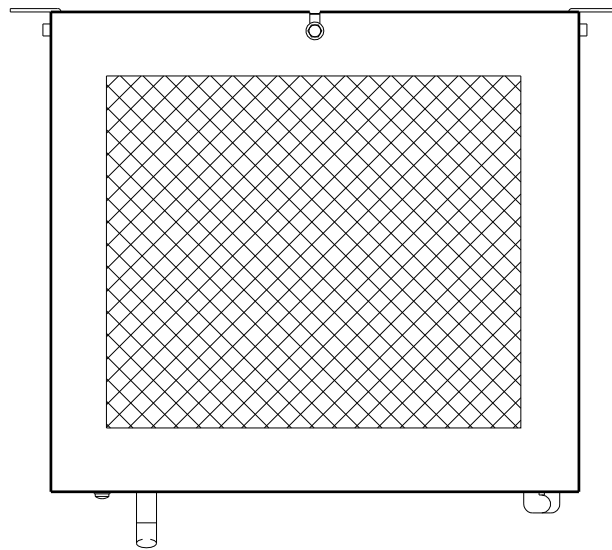
NOTES:

- 1) ENCLOSURE IS A NEMA-1 TYPE STEEL CABINET WITHOUT GASKETS, FINISH IS ANSI-61 GRAY EPOXY POWDERCOAT.
- 2) ALLOW 6in OF FREE AIR ON TOP, SIDES AND BOTTOM OF CABINET FOR VENTILATION.
- 3) STANDARD PRE-FAB SIDE CONDUIT KNOCK-OUTS SHOWN, ENCLOSURE MAY BE FIELD-MODIFIED BY INSTALLER IF REQUIRED.
- 4) STEERING DIODE ASSEMBLY SHIPPING WEIGHT: APPROXIMATELY 180 lb / 82 kg

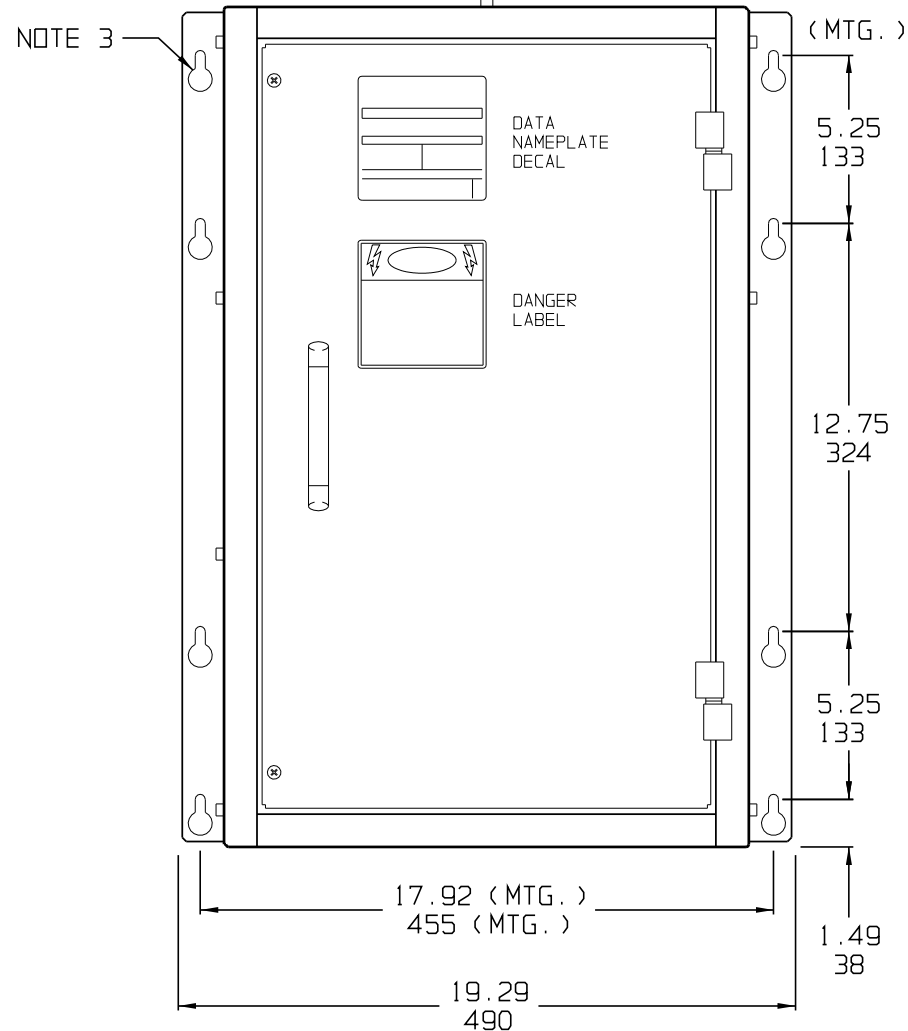
FUNCTION:

- A) STEERING DIODES LINK TWO (2) BATTERY CHARGER DC OUTPUT BUSES TO COMMON LOAD WITHOUT LINKING BATTERY BANKS TOGETHER. SEE OPERATING INSTRUCTIONS (JA5065-00).

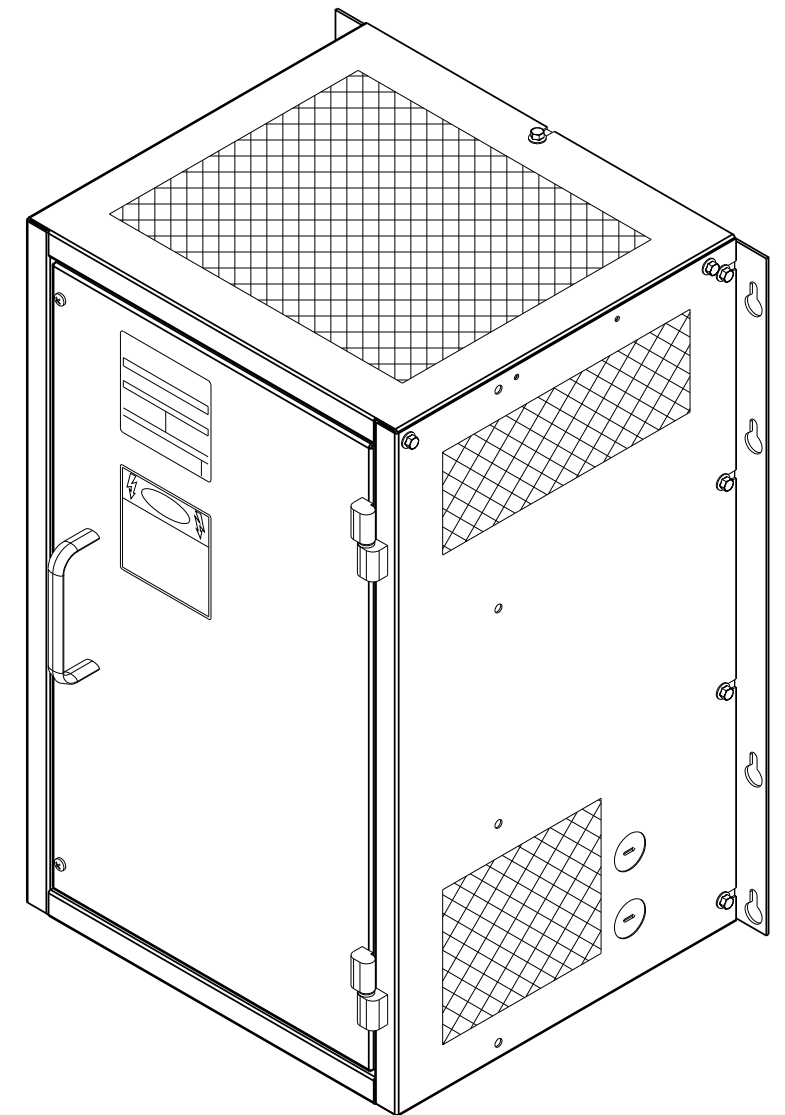
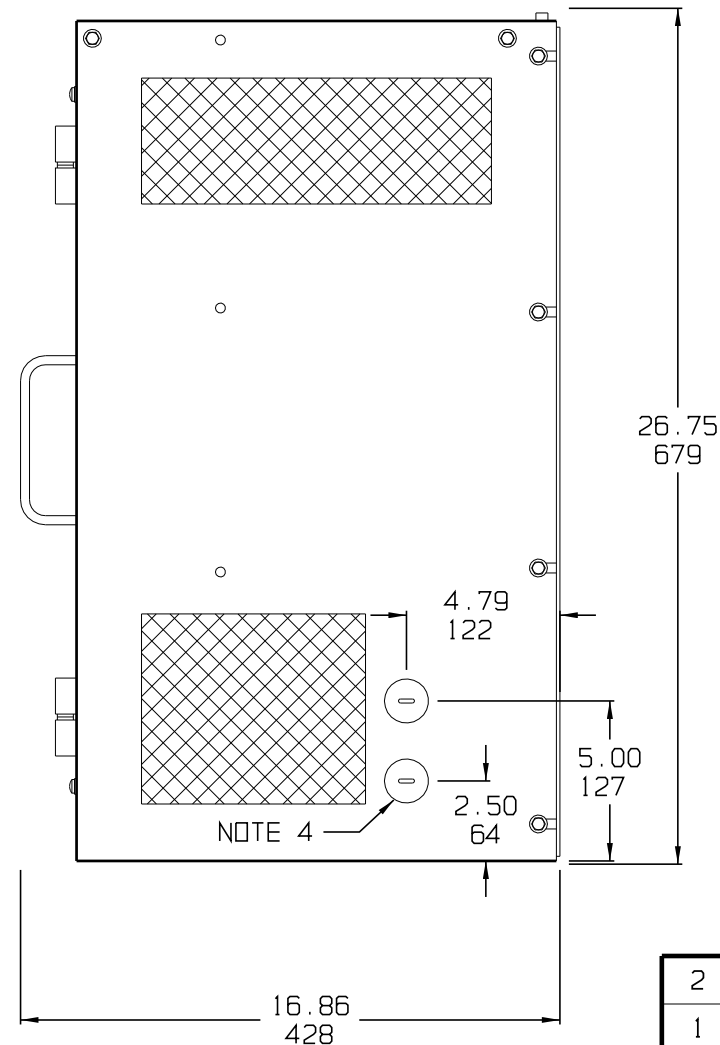
TOP VIEW



FRONT VIEW



SIDE VIEW



DUAL DIMENSIONS in mm

2	27441	021720	 THIRD ANGLE PROJECTION	TITLE BEST BATTERY SELECTOR OUTLINE: NEMA-1 STYLE-5017 ENCLOSURE (500A)		
1	24624	102714				
0	23735	052913	DRAWN BY MCR 093010	DRAWING No JE5138-03 REV 2 <b>B</b>		
D	N/A	062609	ELECTRONIC APPROVAL SIGNATURES MAINTAINED BY MFG ECN LOG			
A	N/A	082106	UNLESS OTHERWISE NOTED DIMENSIONS ARE IN INCHES. TOLERANCES ARE:	SCALE NTS PART No JE5138-03 SHEET 1 OF 1		
REV	ECN No	DATE				