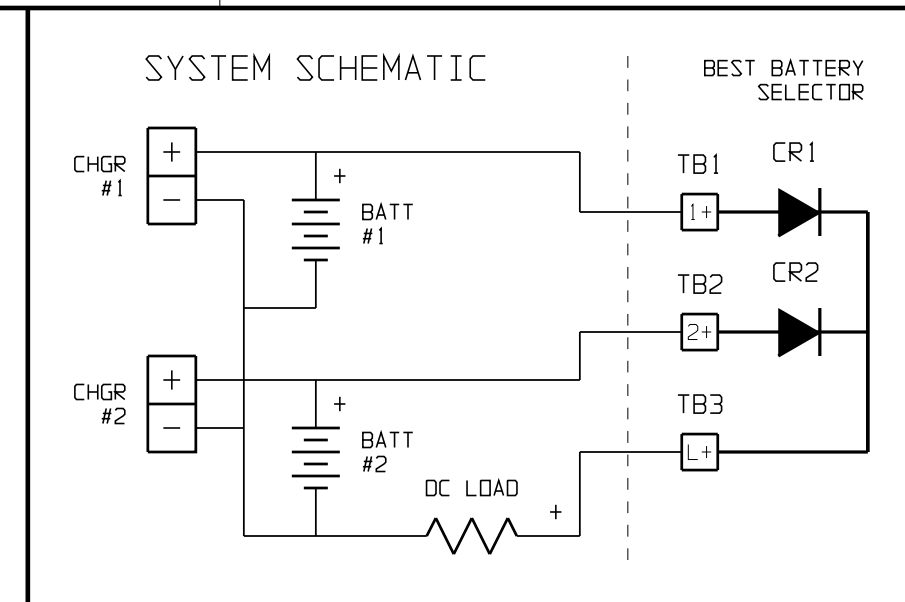
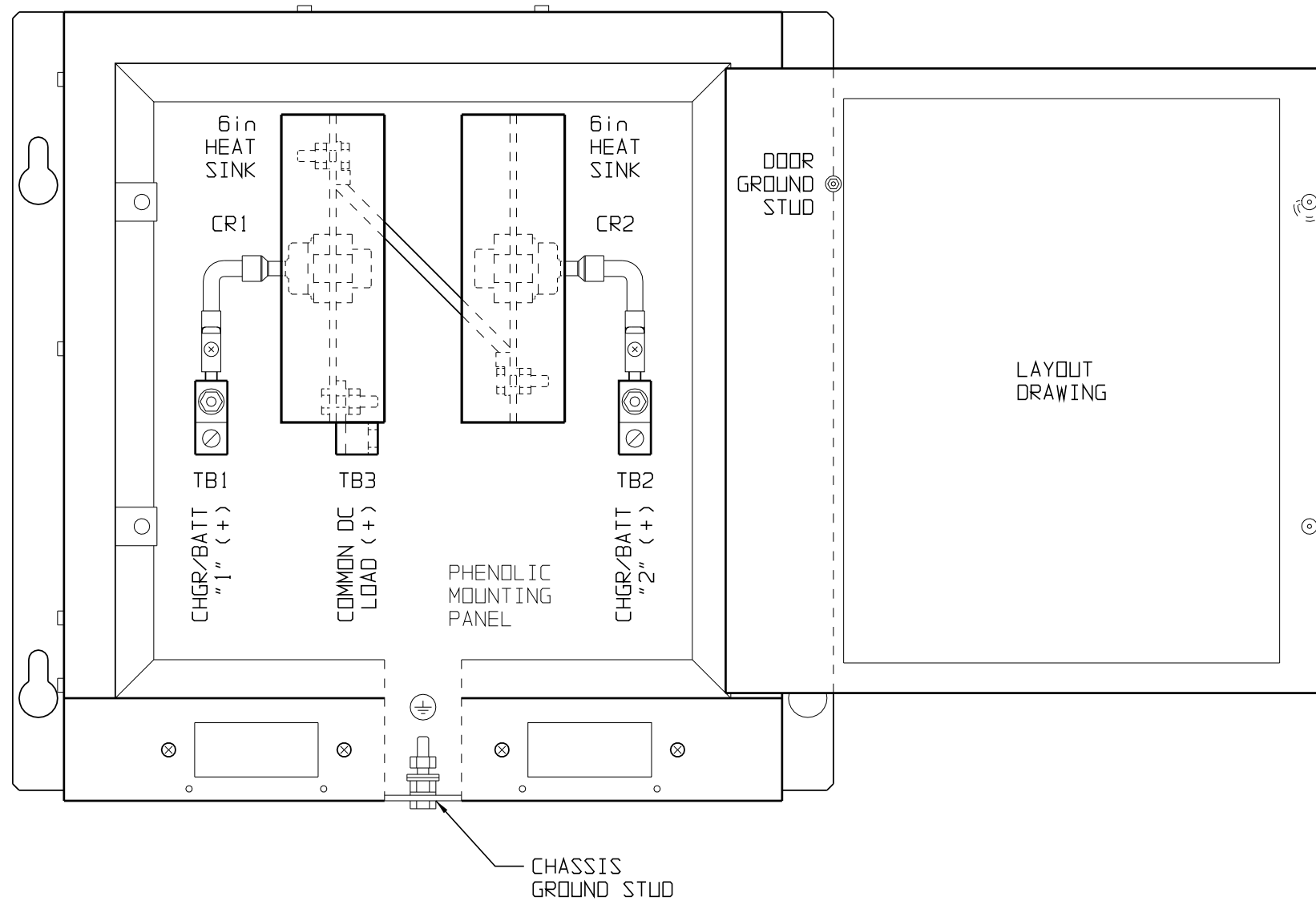


PART No.	VOLTAGE RATING	CURRENT RATING
EJ5144-20	250 VDC	50 ADC
EJ5144-24	600 VDC	50 ADC



NOTES:

- \* STEERING DIODES LINK TWO (2) BATTERY CHARGER DC OUTPUT BUSES TO COMMON LOAD WITHOUT LINKING BATTERY BANKS TOGETHER, SEE OPERATING INSTRUCTIONS (JA5065-00)
- \* STEERING DIODES AND I/O TERMINALS (TB#) ARE CONNECTED WITH FLAME-RETARDANT BLACK SWITCHBOARD INSULATION SYSTEM (SIS) TYPE WIRING, IDENTIFIED ON EACH END WITH NUMBER-CODED MARKERS

I/O TERMINAL	DESCRIPTION - TYPE	CONNECTION
TB1	CHGR/BATT #1 INPUT TERMINAL - CU-AL COMPRESSION LUG	ONE (1) #14-1/0 AWG
TB2	CHGR/BATT #2 INPUT TERMINAL - CU-AL COMPRESSION LUG	ONE (1) #14-1/0 AWG
TB3	COMMON LOAD OUTPUT TERMINAL - CU-AL COMPRESSION LUG	ONE (1) #14-1/0 AWG
CHS GND	CHASSIS GROUND - 10-32 ZPS STUD TERMINAL	#10 RING LUG

2	27443	021720	 THIRD ANGLE PROJECTION	TITLE BEST BATTERY SELECTOR INTERNAL COMPONENT LAYOUT: NEMA-1 STYLE-586 ENCL (50A dc)
1	24848	040815		
0	23733	052813	DRAWN BY MCR 093010	DRAWING No JE5139-00
B	-N/A-	-N/A--	ELECTRONIC APPROVAL SIGNATURES MAINTAINED BY MFG ECN LOG	REV 2 <b>B</b>
A	N/A	093010	UNLESS OTHERWISE NOTED DIMENSIONS ARE IN INCHES. TOLERANCES ARE:	SCALE NTS PART No JE5139-00 SHEET 1 OF 1
REV	ECN No	DATE		