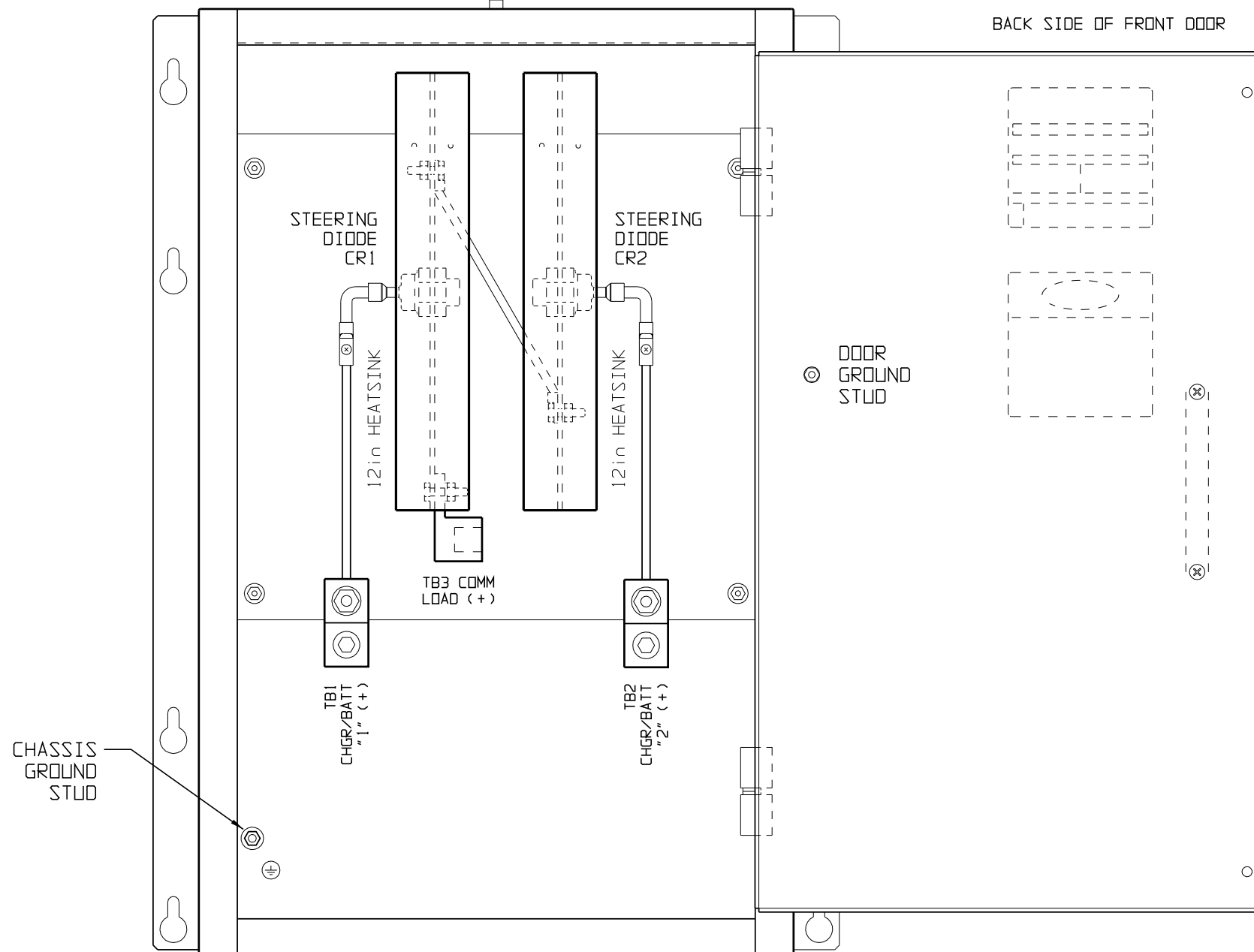


PART No.	VOLTAGE RATING	CURRENT RATING
EJ5144-01	250 VDC	100 ADC
EJ5144-05	600 VDC	100 ADC

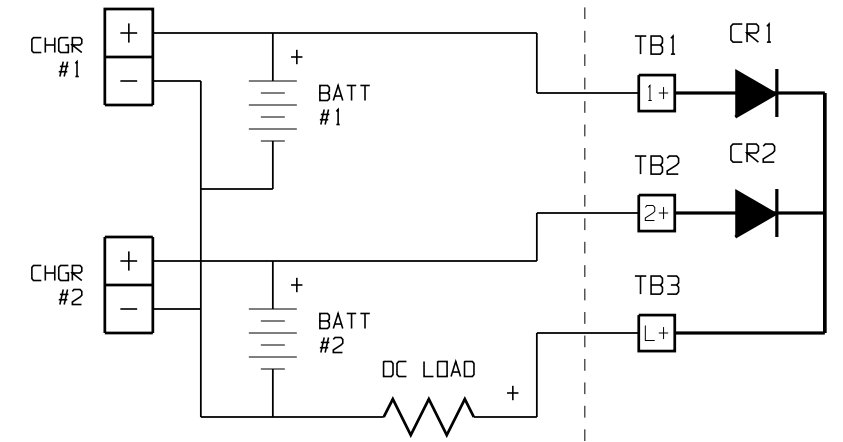
FRONT VIEW

BACK SIDE OF FRONT DOOR



SYSTEM SCHEMATIC

BEST BATTERY SELECTOR



NOTES:

- * STEERING DIODES LINK TWO (2) BATTERY CHARGER DC OUTPUT BUSES TO COMMON LOAD WITHOUT LINKING BATTERY BANKS TOGETHER, SEE OPERATING INSTRUCTIONS (JA5065-00)
- * STEERING DIODES AND I/O TERMINAL (TB#) ARE CONNECTED WITH FLAME-RETARDANT BLACK SWITCHBOARD INSULATION SYSTEM (SIS) TYPE WIRING, IDENTIFIED ON EACH END WITH NUMBER-CODED MARKERS

I/O TERMINAL	DESCRIPTION - TYPE	CONNECTION
TB1	CHGR/BATT #1 INPUT TERMINAL - CU-AL COMPRESSION LUG	ONE (1) #6 AWG-350 MCM
TB2	CHGR/BATT #2 INPUT TERMINAL - CU-AL COMPRESSION LUG	ONE (1) #6 AWG-350 MCM
TB3	COMMON LOAD OUTPUT TERMINAL - CU-AL COMPRESSION LUG	ONE (1) #6 AWG-350 MCM
CHS GND	CHASSIS GROUND - 10-32 ZPS STUD TERMINAL	#10 RING LUG

4	27443	021720	 THIRD ANGLE PROJECTION
3	24839	040615	
2	24820	CANCELLED	DRAWN BY MCR 082106
1	24772	021815	ELECTRONIC APPROVAL SIGNATURES MAINTAINED BY MFG ECN LOG
0	23733	052813	UNLESS OTHERWISE NOTED DIMENSIONS ARE IN INCHES. TOLERANCES ARE:
REV	ECN No	DATE	

TITLE BEST BATTERY SELECTOR INTERNAL COMPONENT LAYOUT: STYLE-5017 ENCLOSURE (100A dc)			
DRAWING No		REV	
JE5139-01		4	
SCALE	PART No	SHEET	OF
NTS	JE5139-01	1	1