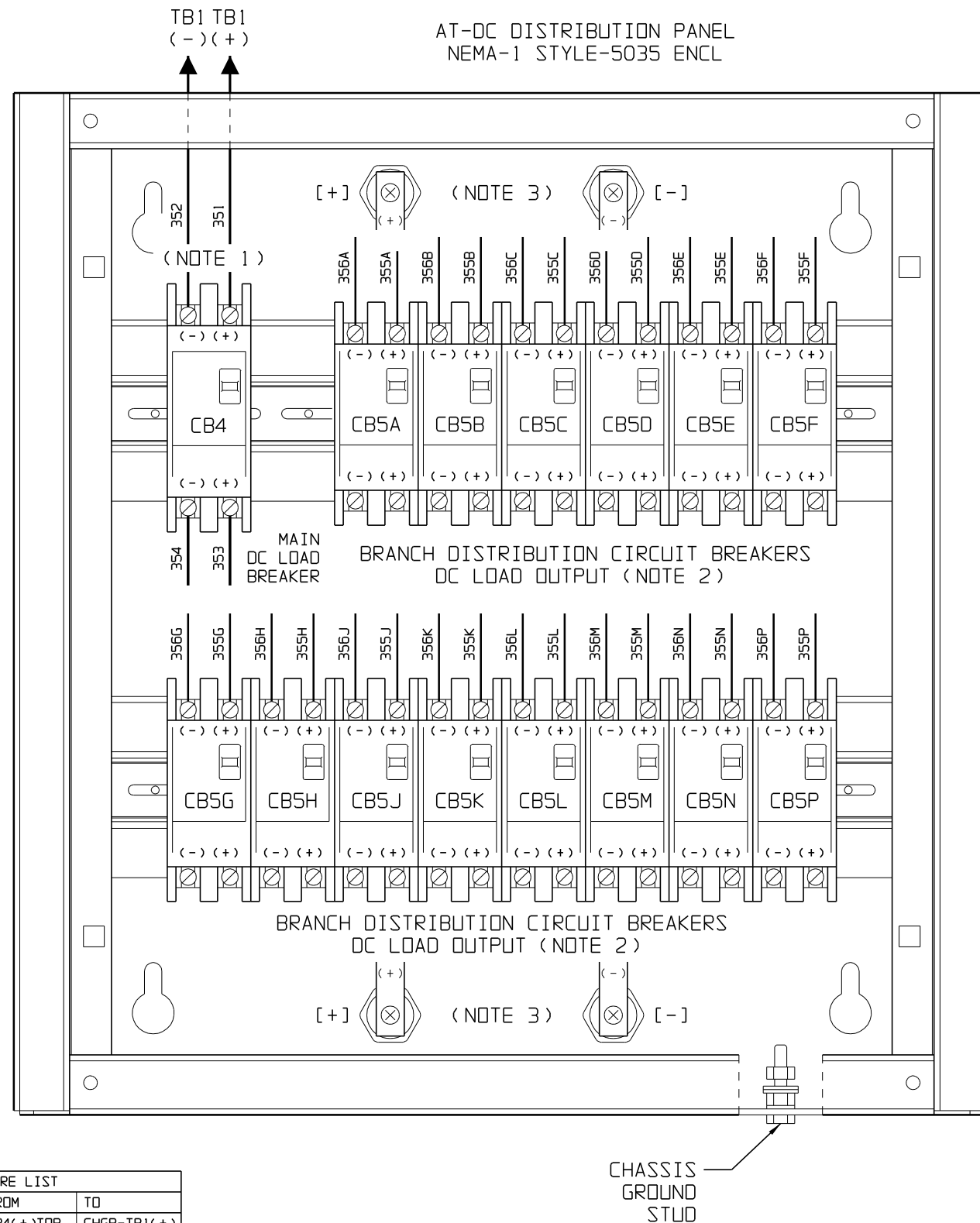


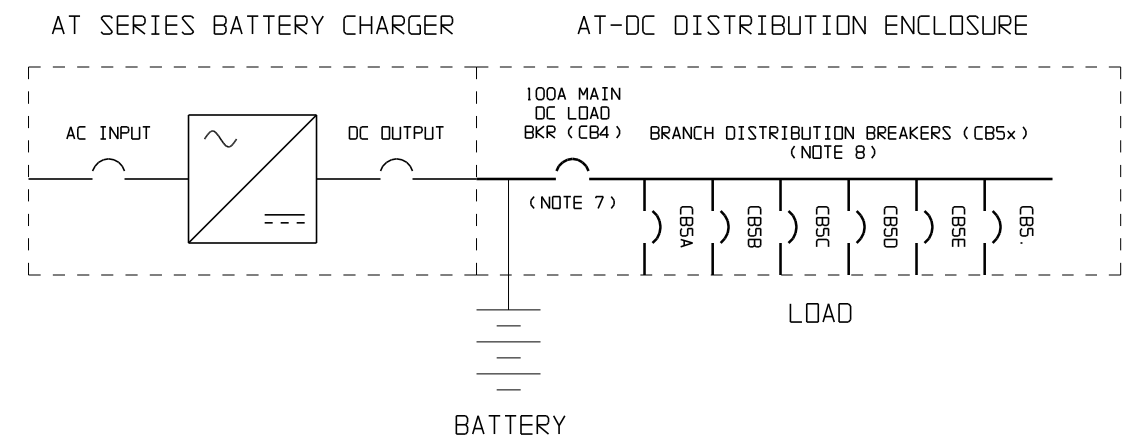
TO AT BATTERY CHARGER  
I/O PANEL DC OUTPUT  
CU-AL COMPRESSION LUGS



CONNECTION / WIRING NOTES:

- 1) CONNECT MAIN BATTERY WIRING TO TOP OF MAIN DC LOAD CIRCUIT BREAKER (CB4) WHICH FEATURES CUL-AL COMPRESSION LUGS, ACCEPTING #12 - 2/O AWG WIRE. IF NECESSARY, CONNECT MAIN BATTERY WIRING TO BATTERY CHARGER POS(+)/NEG(-) DC OUTPUT TERMINALS
- 2) CONNECT LOAD WIRING TO BOTTOM OF BRANCH DISTRIBUTION CIRCUIT BREAKERS (CB5x) WHICH FEATURE COMPRESSION SCREW TERMINALS, ACCEPTING LUGS FOR #14-2 AWG WIRE
- 3) MOUNTED TO BACK PANEL OF ENCLOSURE ARE POSITIVE(+) AND NEGATIVE(-) COPPER BUS BARS, WHICH ARE INTERCONNECTION POINTS FOR DC LOAD BREAKER WIRING
- 4) WIRES# 351 & 352 SIZED FOR DC OUTPUT CURRENT OF CONNECTED BATTERY CHARGER
- 5) WIRES# 355x & 356x SIZED TO TRIP RATING OF INDIVIDUAL BRANCH CIRCUIT BREAKERS (CB5x)
- 6) COMPONENTS ARE CONNECTED WITH FLAME-RETARDANT UL VW-1 TYPE SWITCHBOARD INSULATION SYSTEM (SIS) WIRING, IDENTIFIED ON EACH END WITH NUMBER-CODED MARKERS
- 7) 100A TWO-POLE MAIN DC LOAD CIRCUIT BREAKER (CB4) IS RATED FOR 10 kAIC AT 250VDC
- 8) TWO-POLE BRANCH DC DISTRIBUTION CIRCUIT BREAKERS (CB5x) ARE RATED FOR 10 kAIC AT 125VDC. SEE BREAKER SCHEDULE, SUPPLIED PARTS DATA PACKAGE REPORT (BOM), AND/OR MARKED LISTING ON FRONT FACE OF ACTUATOR FOR INDIVIDUAL BREAKER TRIP RATINGS.

ONE-LINE DIAGRAM:



WIRE LIST			
No.	GAUGE	FROM	TO
351	NOTE 4	CB4(+ )TOP	CHGR-TB1(+ )
352	NOTE 4	CB4(- )TOP	CHGR-TB1(- )
353	#4 AWG	CB4(+ )BOT	W1(+ ) BUS
354	#4 AWG	CB4(- )BOT	W2(- ) BUS
355x	NOTE 5	CB5x(+ )TOP	W1(+ ) BUS
356x	NOTE 5	CB5x(- )TOP	W2(- ) BUS
357	#12 AWG	CHS GROUND	CHGR GROUND

GENERAL NOTES:

A) THIS GENERIC DRAWING DEPICTS AN AT-DC DISTRIBUTION PANEL CONFIGURATION WITH ONE (1) 100A MAIN DC LOAD CIRCUIT BREAKER (CB4) AND A MAXIMUM OF FOURTEEN (14) QDU-TYPE 2-POLE DC BRANCH CIRCUIT BREAKERS (CB5A-P). MULTIPLE CONFIGURATIONS OF THE AT-DC ASSEMBLY ARE AVAILABLE, FEATURING 4, 6, 8, ETC. BRANCH BREAKERS (CB5x). IN NON-STANDARD ARRANGEMENTS, SPARE UNWIRED BRANCH BREAKERS AND/OR FILLER PLATES MAY BE SUPPLIED.

			 THIRD ANGLE PROJECTION			
			DRAWN BY    MCR    080910	TITLE    AT-DC DIST PANEL ST-5035 INTERNAL COMP LAYOUT / SCHEM / CONN DIAGRAM: EJ5110-2#		
			ELECTRONIC APPROVAL SIGNATURES MAINTAINED BY MFG ECN LOG			DRAWING No    JE5141-10    REV    0 <b>B</b>
0	22246	080910	UNLESS OTHERWISE NOTED DIMENSIONS ARE IN INCHES. TOLERANCES ARE:			SCALE    NTS    PART No    JE5141-10    SHEET    1    OF    1
REV	ECN No	DATE				