

FIGURE 1
25-50A RECTIFIER ASSY
(A16A/B/C) RM0009-00

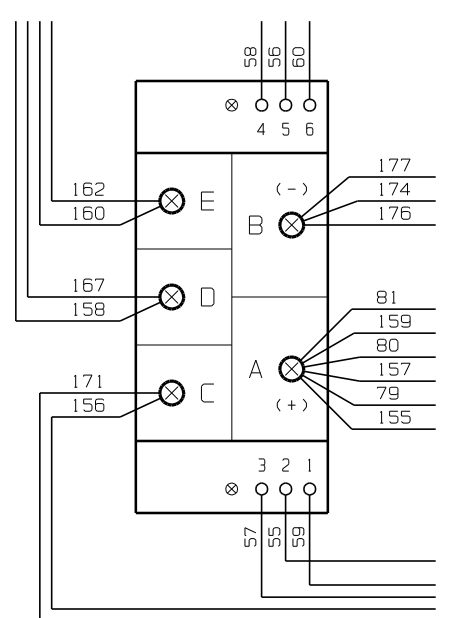


FIGURE 2
75A RECTIFIER ASSY
(A16) PM5007-00

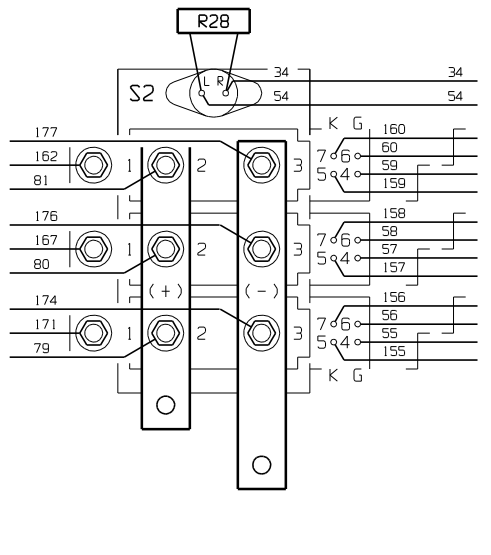


FIGURE 3
100A RECTIFIER ASSY
(A16) PM5007-01

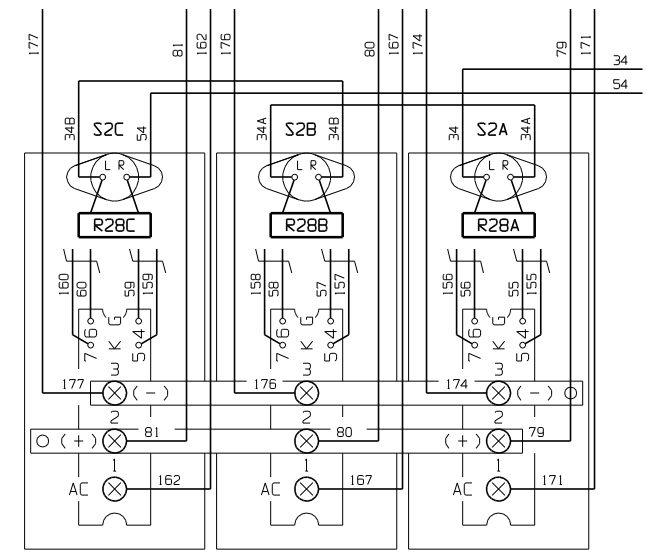


FIGURE 4
125A RECTIFIER ASSY
(A16) PM5007-06

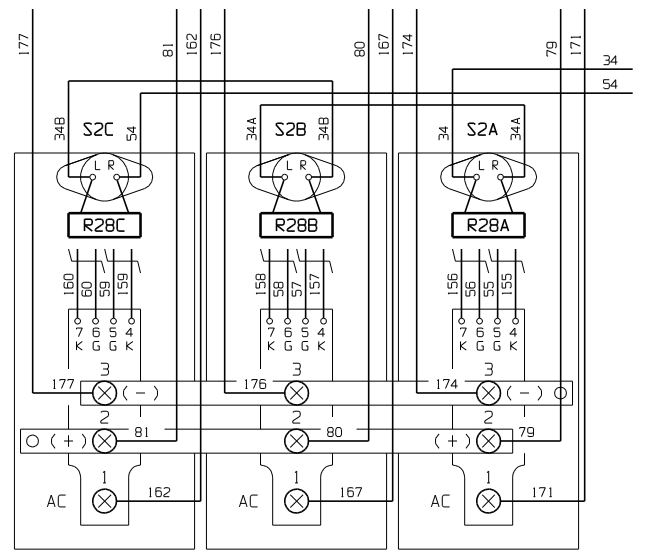
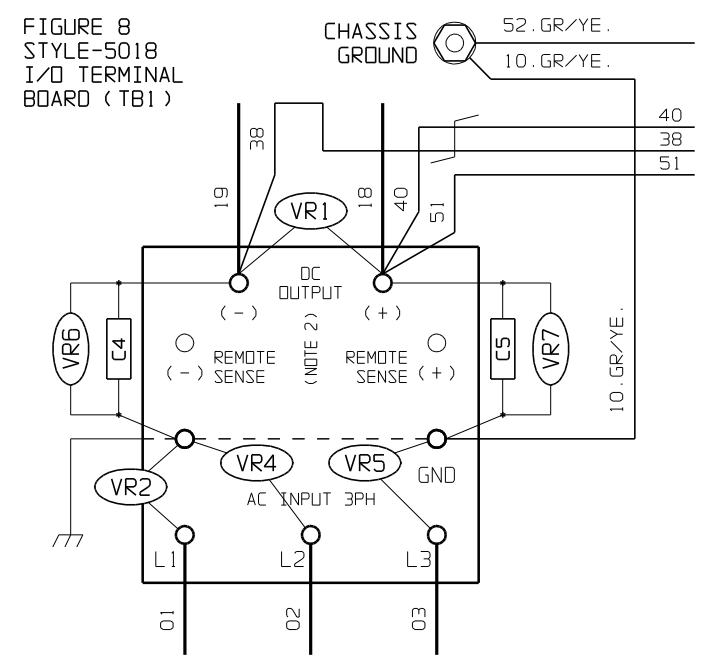


FIGURE 5
150-200A RECTIFIER ASSY
(A16) PM5007-07



- NOTES:
- 1) ALL COMPONENTS ARE CONNECTED WITH FLAME-RETARDANT SWITCHBOARD INSULATION TYPE WIRING, IDENTIFIED ON EACH END WITH NUMBER-CODED MARKERS.
 - 2) WHEN REMOTE SENSE IS USED, WIRE #38 CONNECTS TO REMOTE SENSE(-), AND WIRE #40 CONNECTS TO REMOTE SENSE(+).
 - 3) I/O PANELS AND RECTIFIER ASSEMBLIES ARE NOT DRAWN TO SCALE.
 - 4) FOR APPROPRIATE RECTIFIER ASSEMBLY, REFER TO THE SUPPLIED PARTS DATA PACKAGE REPORT AND IDENTIFY THE FACTORY PART NUMBER BY CIRCUIT SYMBOL "A16".
 - 5) FOR APPROPRIATE I/O PANEL LAYOUT, REFER TO THE AT30 USER'S MANUAL TO IDENTIFY ENCLOSURE TYPE (STYLE-5018/5030/163).

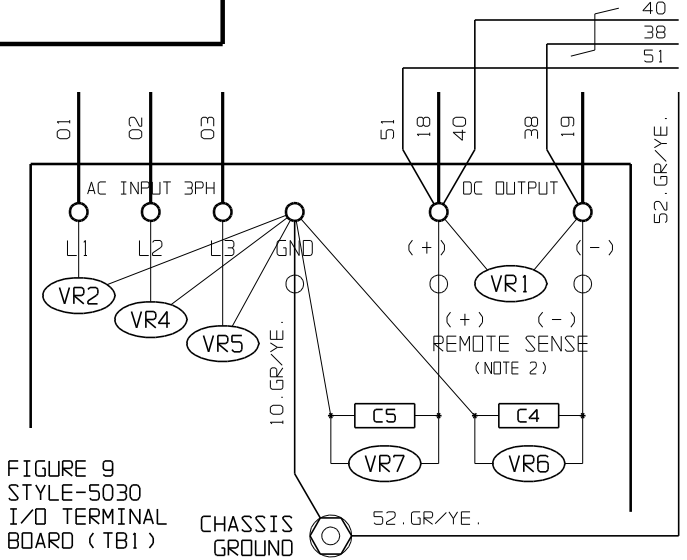


FIGURE 9
STYLE-5030
I/O TERMINAL
BOARD (TB1)

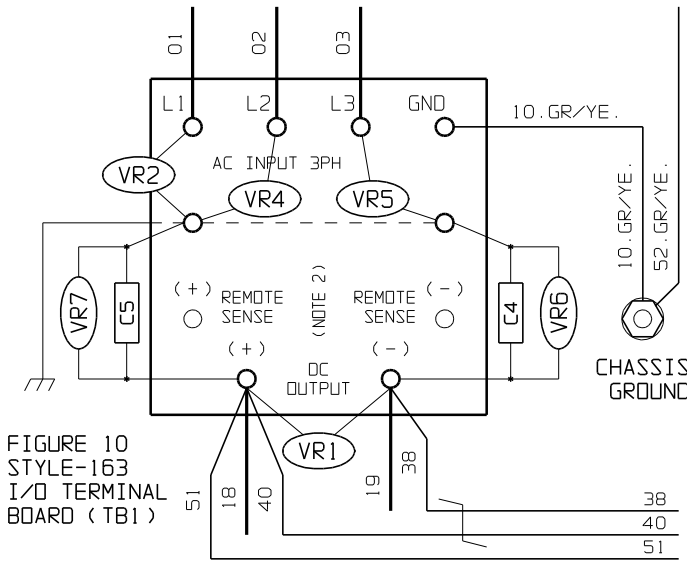


FIGURE 10
STYLE-163
I/O TERMINAL
BOARD (TB1)

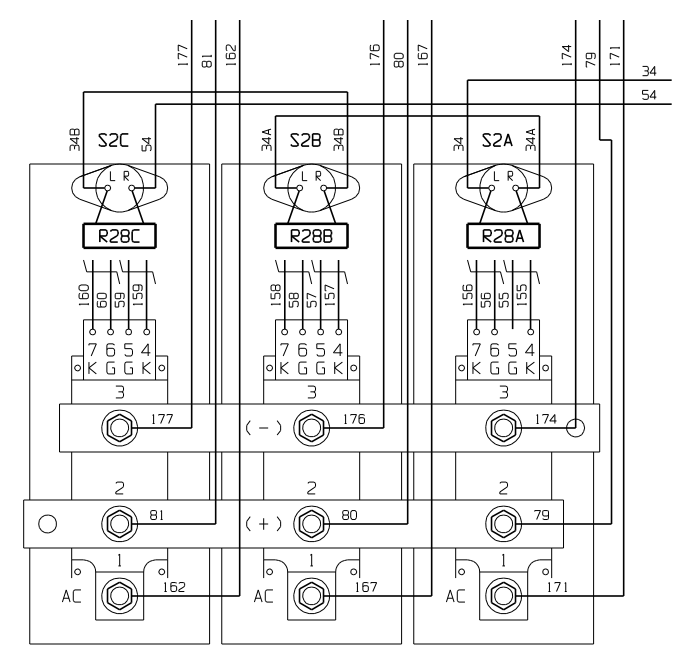


FIGURE 6
250-300A RECTIFIER ASSY
(A16) PM5007-08

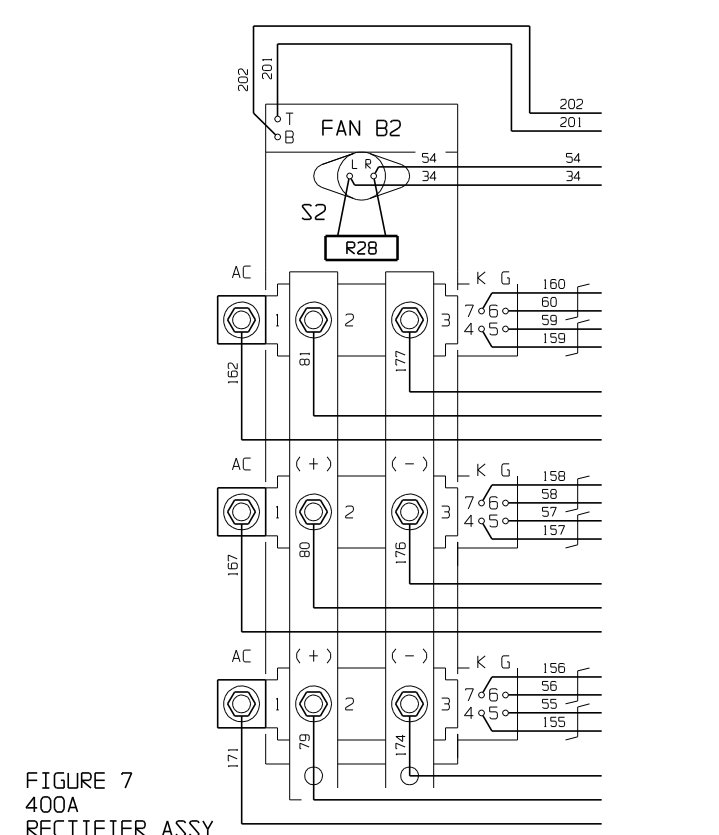
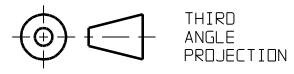


FIGURE 7
400A
RECTIFIER ASSY
(A16) PM5007-09

2	21118	042908	DRAWN BY	MCR	013007
1	20932	120107	ELECTRONIC APPROVAL SIGNATURES MAINTAINED BY MFG ECN LOG		
0	20529	013007	UNLESS OTHERWISE NOTED DIMENSIONS ARE IN INCHES. TOLERANCES ARE:		
REV	ECN No	DATE			



TITLE				AT30 SERIES BATTERY CHARGER CONNECTION DETAILS: I/O PANEL & RECTIFIER ASSY (A16)	
DRAWING No		JE5163-00		REV	2
SCALE		NTS	PART No	JE5163-00	SHEET 1 OF 1