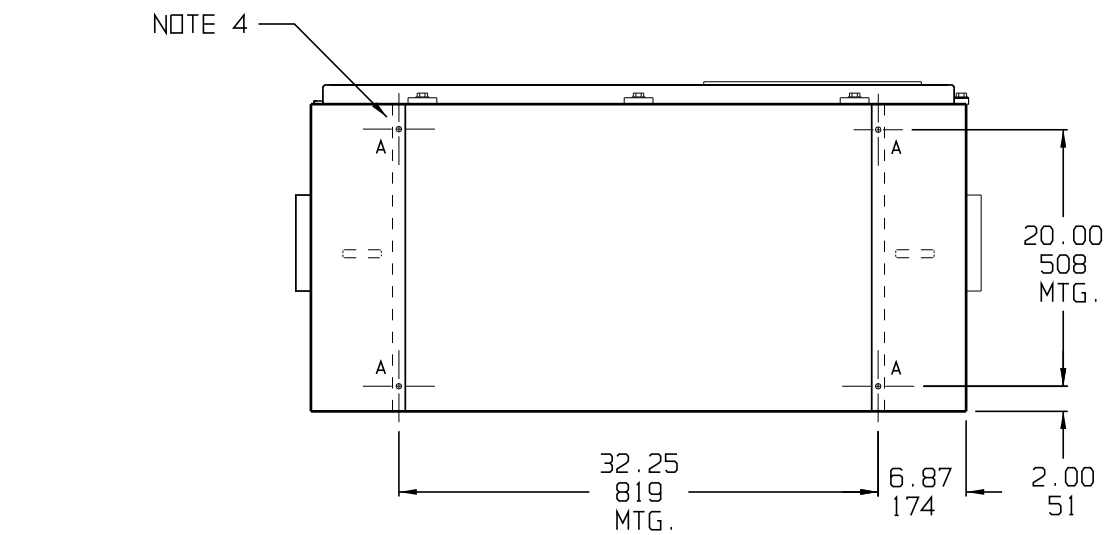
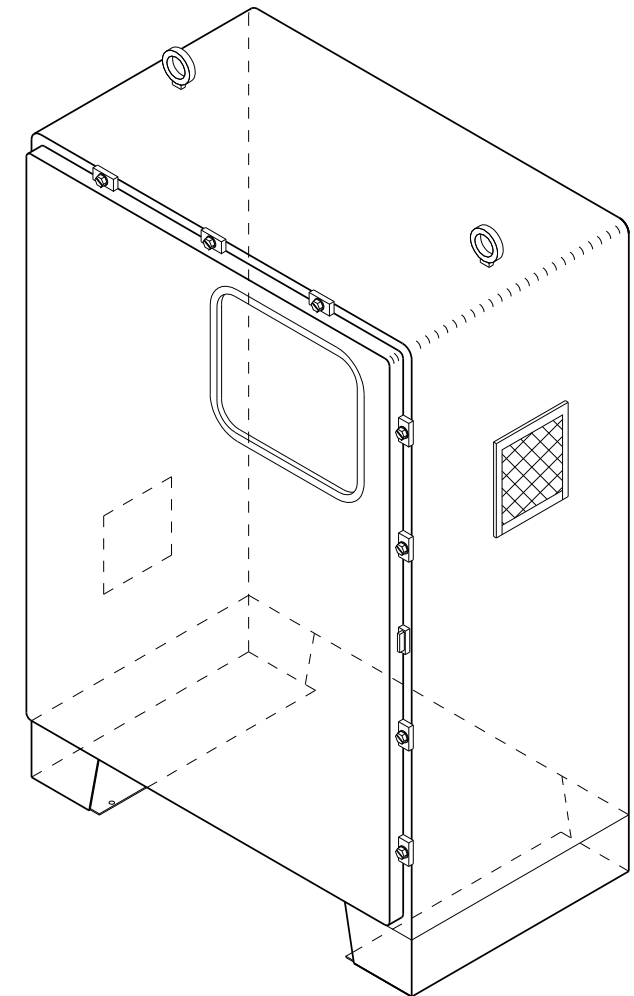


| HOLE | DIA.  | QTY. | APPLICATION    |
|------|-------|------|----------------|
| A    | 0.438 | 4    | FLOOR MOUNTING |

NEMA-4/12 ENCLOSURES FEATURE NO PROVISIONS FOR CONDUIT ENTRANCE. ENCLOSURE SHOULD BE FIELD-MODIFIED BY INSTALLER AS NEEDED FOR I/O.



NOTES:

- ENCLOSURE IS A NEMA TYPE 4 (MEETS NEMA-12/13) / IP65 STEEL CABINET WITH A GASKETED DOOR. FINISH IS ANSI-61 GRAY EPOXY POWDERCOAT.
- EXTERNALLY POWERED COOLING FAN MOUNTED INSIDE CABINET.
- ALLOW 6in / 152mm OF FREE AIR ON SIDES OF CABINET FOR VENTILATION.
- CABINET IS FLOOR MOUNTED AND EXTERNALLY WIRED PER TABLE ABOVE.
- SEALED ACRYLLIC WINDOW PROVIDED TO VIEW INTERNAL ATevo CONTROL PANEL.
- BATTERY CHARGER INSTALLATION WEIGHT: (contact factory for quote)

DUAL DIMENSIONS in mm

|     |        |        |  |  |                   |       |  |          |  |
|-----|--------|--------|--|--|-------------------|-------|--|----------|--|
|     |        |        | <br>THIRD ANGLE PROJECTION                                       |  |                   |       |  |          |  |
|     |        |        | DRAWN BY MCR   |  | 101023            |       | TITLE ATevo BATTERY CHARGER OUTLINE:<br>NEMA TYPE-4 VENTED ENCL: FOR ST-163 MODELS |          |  |
|     |        |        | APPROVED   |  |                   |       | DRAWING No JE5198-50   |          |  |
| 0   | -N/A-  | 101023 | UNLESS OTHERWISE NOTED DIMENSIONS ARE IN INCHES. TOLERANCES ARE: |  |                   | REV 0 |  | <b>B</b> |  |
| REV | ECN No | DATE   | SCALE NTS  |  | PART No JE5198-50 |       | SHEET 1 OF 1   |          |  |