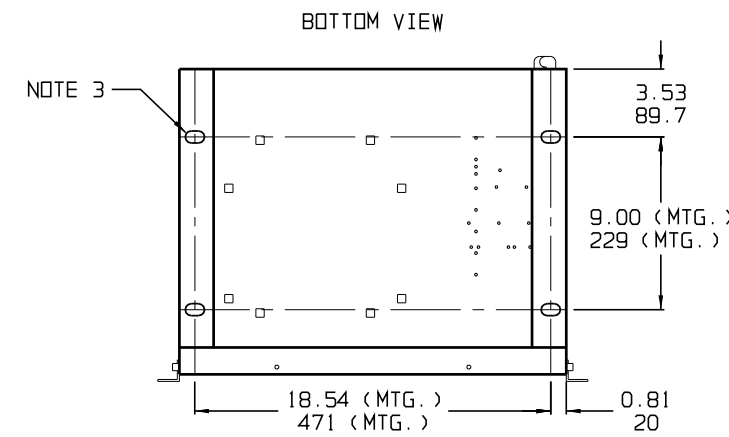
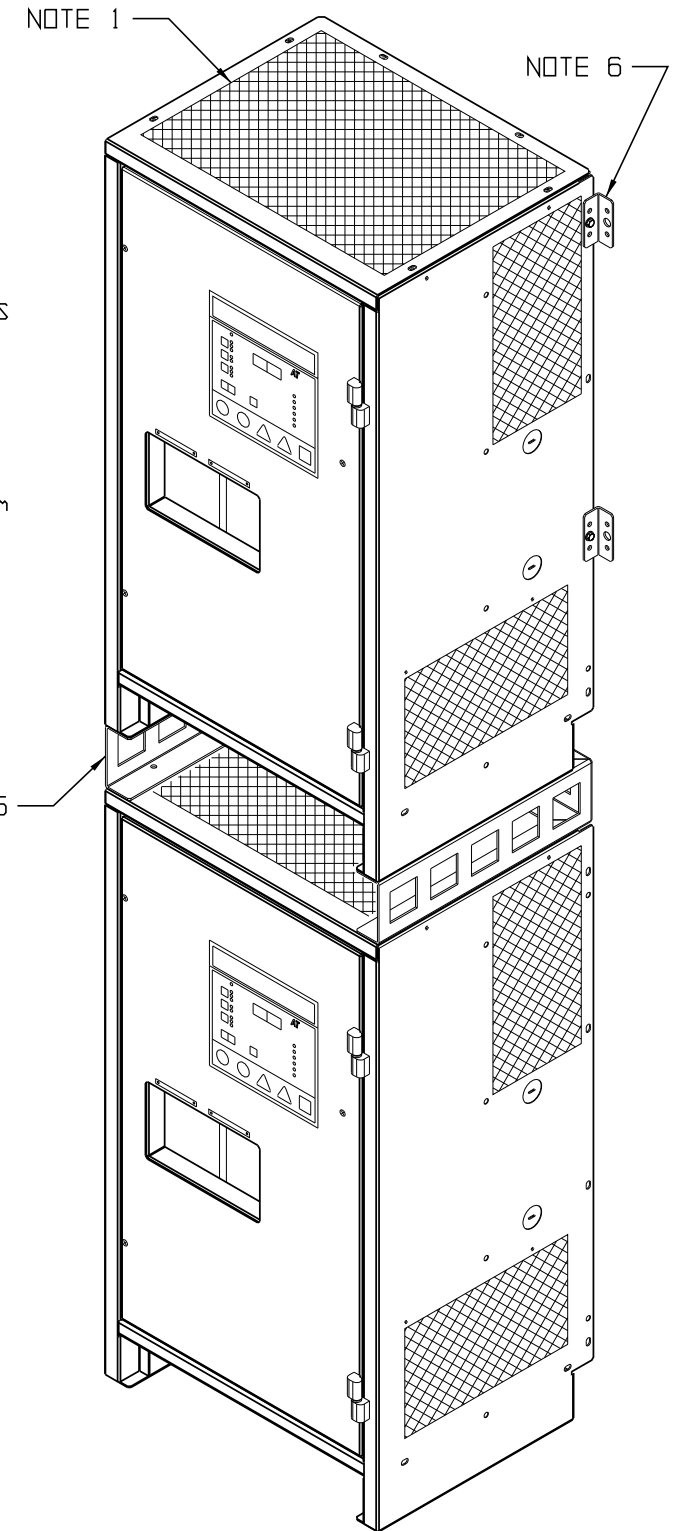


NOTES:

- 1) BATTERY CHARGER ENCLOSURES ARE NEMA-1 / IP20 TYPE STEEL CABINETS WITHOUT GASKETS. FINISH IS ANSI-61 GRAY EPOXY POWDERCOAT.
- 2) ALLOW 6in / 153mm OF FREE AIR (TOP, FRONT, AND SIDES OF CABINET) FOR VENTILATION.
- 3) FOUR (4) 1in x 0.625in / 25mm x 16mm FLOOR-MOUNTING SLOTS ARE PROVIDED ON BOTTOM OF ENCLOSURE AS SHOWN.
- 4) TWO (2) 1.31in / 33mm DIA STANDARD PRE-FAB KNOCKOUTS ARE PROVIDED, SHOWN ON THE RIGHT SIDE OF EACH ENCLOSURE FOR UP TO 1in / 25mm CONDUIT. IF ADDITIONAL CONDUIT ENTRANCES ARE REQUIRED BY USER, ENCLOSURE SHOULD BE FIELD-MODIFIED BY INSTALLER.
- 5) TWO (2) BATTERY CHARGERS ARE SUPPLIED (SHIPPED) SEPARATELY (UNSTACKED). STACKED AND MOUNTED ENCLOSURES ARE SEPARATED BY 4in x 2in / 102mm x 51mm 0.25in / 6.4mm THICK ANGLE.
- 6) INDIVIDUAL STYLE-5018 ENCLOSURES ARE CERTIFIED TO GR-63-CORE FOR SEISMIC ZONE 4 APPLICATIONS. TO MAINTAIN ZONE 4 RATING, DUAL-CHARGER SYSTEM SHOULD BE LAGGED TO WALL USING SUPPLIED MOUNTING BRACKETS.
- 7) FOR STYLE-5018 ENCLOSURE DETAILS, SEE DRAWING: JE5026-00 (AT10.1 - 1PH) JE5085-00 (AT30 - 3PH)
- 8) BATTERY CHARGER SYSTEM WEIGHT: SEE PRODUCT LITERATURE AND ADD 50 lb / 22.6kg



DUAL DIMENSIONS in mm

			THIRD ANGLE PROJECTION					
			DRAWN BY MCR 070109	TITLE AT SERIES BATTERY CHARGER SYSTEM OUTLINE: VERTICAL DUAL-MOUNT STYLE-5018 ENCLOSURES				
B	N/A	111220	ELECTRONIC APPROVAL SIGNATURES MAINTAINED BY MFG ECN LOG		DRAWING No JE5223-00		REV B	B
A	N/A	070109	UNLESS OTHERWISE NOTED DIMENSIONS ARE IN INCHES. TOLERANCES ARE:		SCALE NTS		PART No JE5223-00	SHEET 1 OF 1
REV	ECN No	DATE						