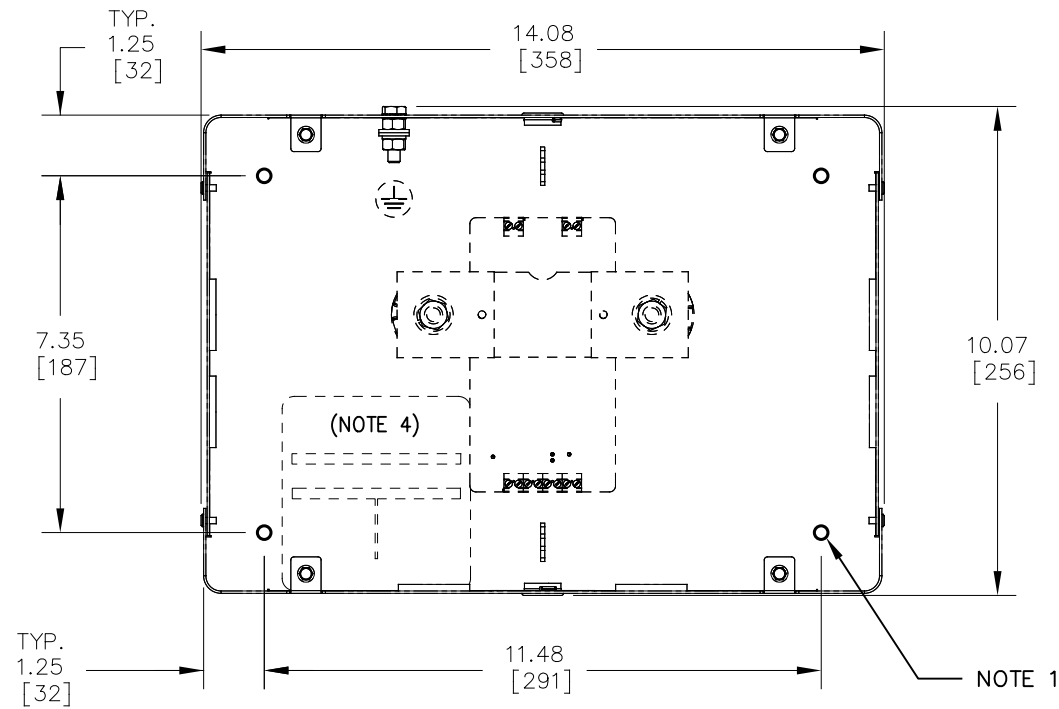
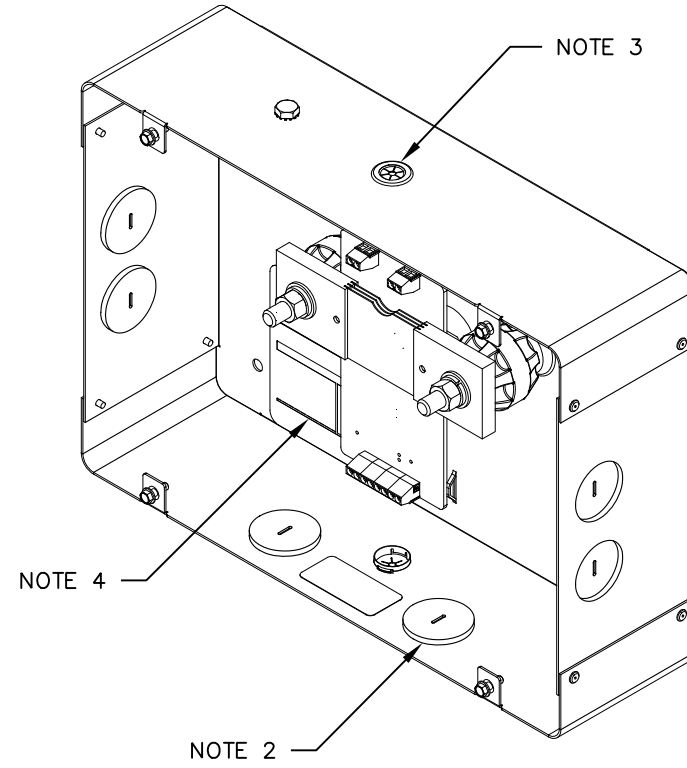


**SPECIFICATIONS:**

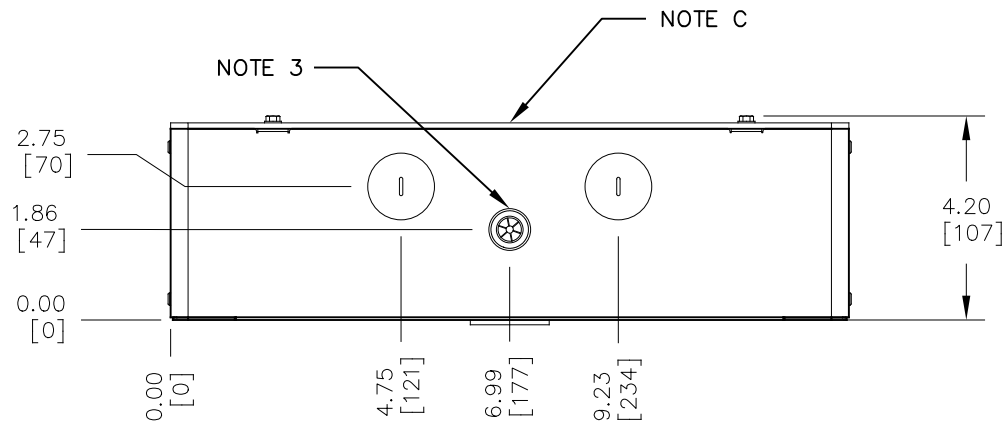
- A. ENCLOSURE IS A NEMA TYPE-1 / IP-20 CABINET WITHOUT GASKETS
- B. ENCLOSURE CONSTRUCTION IS 18 GA SHEET STEEL WITH TEXTURED GRAY FINISH
- C. REMOVABLE FRONT PANEL IS 0.125in / 3.2mm THICK TRANSPARENT POLYCARBONATE
- D. HindleHealth+ INSTALLATION WEIGHT: APPROXIMATELY 10 lb / 4.5 kg



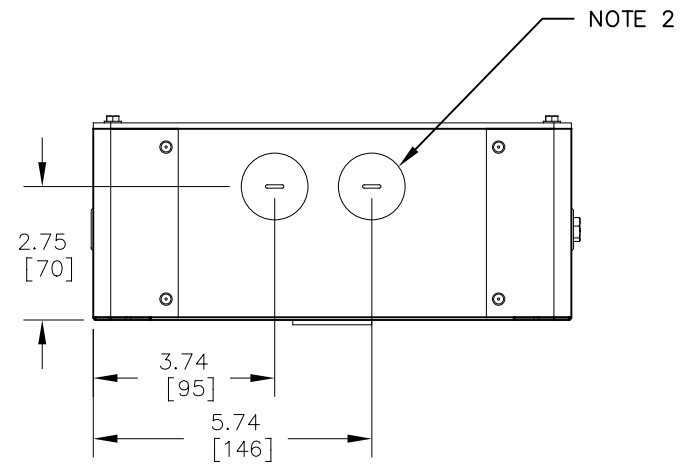
**FRONT VIEW**



**ISO VIEW**



**BOTTOM VIEW**



**RIGHT VIEW**

DUAL DIMENSIONS in [mm]

**NOTES:**

1. FOUR (4) FLUSH-MOUNT 0.28in / 7.1mm HOLES ARE SUPPLIED ON BACK PANEL OF ENCLOSURE AS SHOWN, FOR WALL MOUNTING WITH 0.25in [M6] HARDWARE.
2. SIX (6) 1.00in / 35.4mm CONDUIT KNOCKOUTS SUPPLIED ON SIDES & BOTTOM OF ENCLOSURE.
3. TWO (2) SIGNAL WIRE ENTRY POINTS SUPPLIED ON TOP AND BOTTOM OF ENCLOSURE.
4. DATA NAMEPLATE (WITH RATINGS) APPLIED TO BOTTOM-LEFT REAR PANEL, BEHIND SAFETY SHIELD.
  - MODEL No.: EJ5178-00
  - SERIAL No.: (cust.po#/mfg.sales#-X)

REV	DRN BY	CHK BY	APP BY	DATE	DRN BY	DATE	TITLE			
5	MCR	n/a	n/a	06.28.2024	MCR	12.25.2023				
DESCRIPTION				CHK BY	DATE	HindleHealth+ SMART BATTERY SHUNT NEMA TYPE-1 STYLE-5111 WALL-MOUNT ENCLOSURE				
Rev. 5: REPRINT (SAME SPECS)				n/a	n/a					
Rev. 0: INITIAL RELEASE				APP BY	DATE	SIZE	SCALE	DWG No	REV	SHEET
				n/a	n/a	B	NTS	JE5260-00	5	1 OF 1
				NOTICE		THIRD ANGLE PROJECTION				
				• UNCONTROLLED DOCUMENT		• CHANGES / DIGITAL SIGNATURES MAINTAINED BY MANUFACTURER				