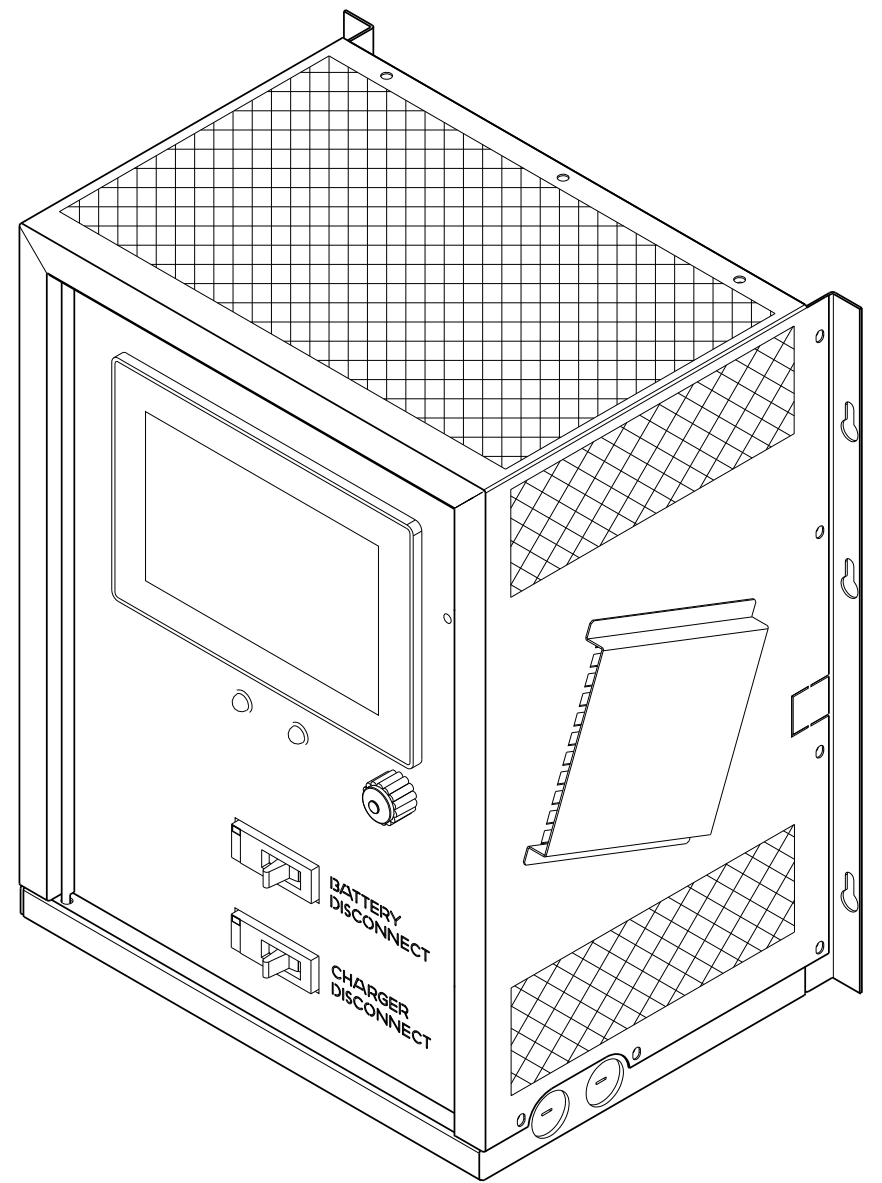
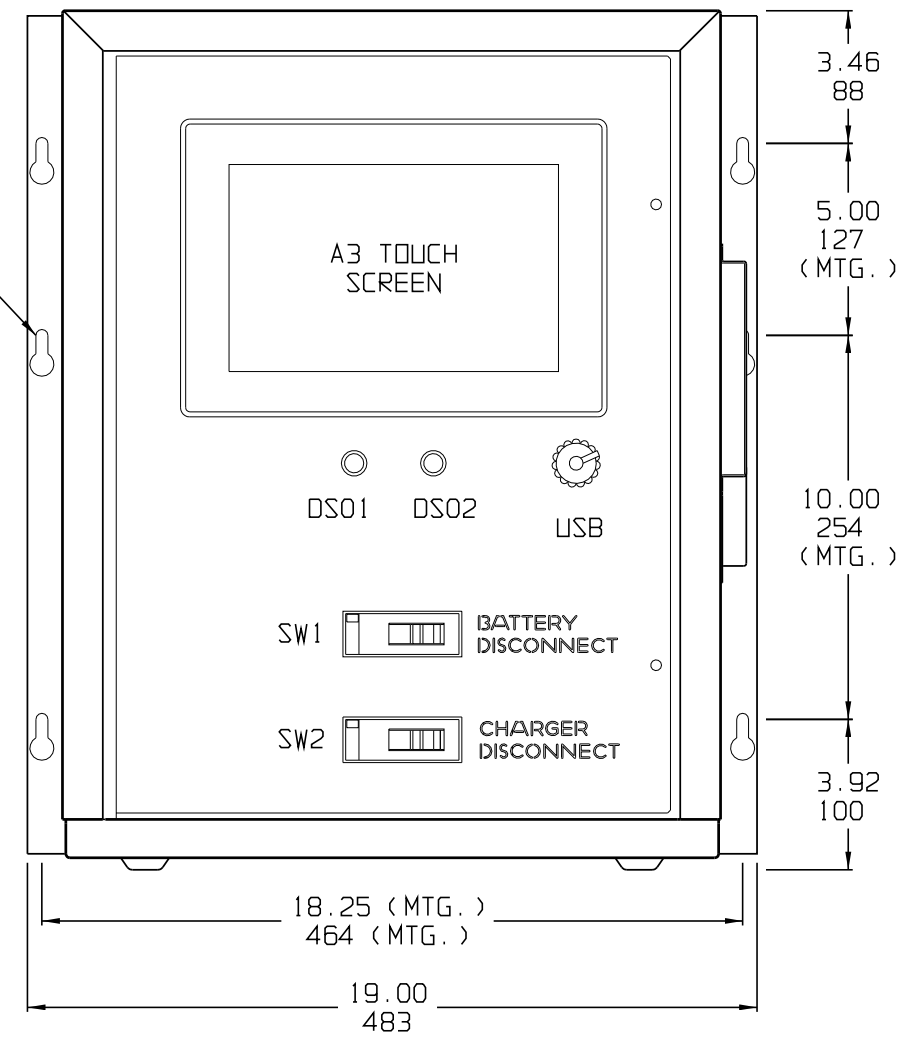


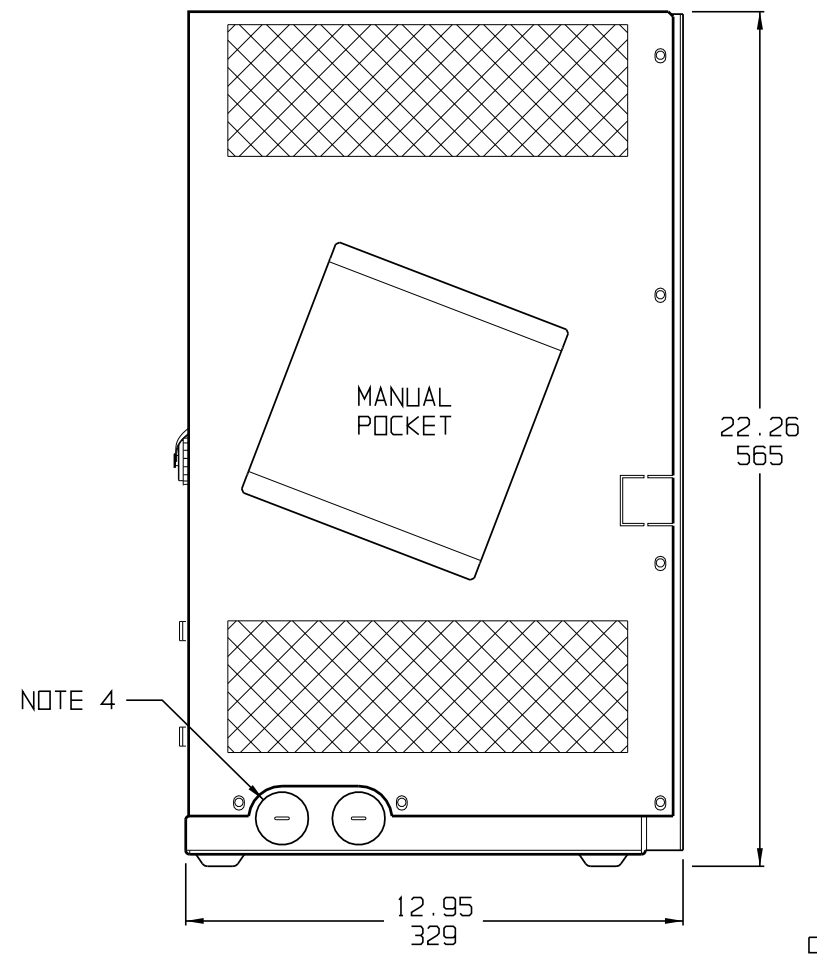
- NOTES:
- 1) ENCLOSURE IS A NEMA TYPE 1 / IP20 TOP-VENTED STEEL CABINET WITHOUT GASKETS. FINISH IS ANSI-61 GRAY EPOXY POWDERCOAT.
  - 2) ALLOW 6in / 152mm OF FREE AIR ON ALL VENTED SURFACES (TOP & SIDES) OF CABINET FOR COOLING.
  - 3) SIX (6) KEY-HOLE SLOTS ARE PROVIDED ON BACK OF ENCLOSURE AS SHOWN, FOR WALL-MOUNTING WITH 0.25in/6.25mm HARDWARE.
  - 4) EIGHT (8) 1.31in/33mm DIA STANDARD PRE-FAB KNOCKOUTS ARE PROVIDED, FOR UP TO 1in/25mm CONDUIT. IF ADDITIONAL CONDUIT ENTRANCES ARE REQUIRED BY USER, ENCLOSURE SHOULD BE FIELD-MODIFIED BY INSTALLER.
  - 5) DC SYSTEM WATCHDOG SHIPPING WEIGHT: APPROXIMATELY 85 lb / 39 kg



FRONT VIEW



SIDE VIEW



NOTE 3

NOTE 4

DUAL DIMENSIONS in mm

SYM	STANDARD COMPONENT DESCRIPTION
A3	HUMAN MACHINE INTERFACE (HMI)
DS01	HHS GREEN "GO" STATUS LED
DS02	HHS RED "ALARM" STATUS LED
SW1	BATTERY DISCONNECT SWITCH (HD2)
SW2	CHARGER DISCONNECT SWITCH (HD2)
USB	UNIVERSAL SERIAL BUS CONNECTION

			THIRD ANGLE PROJECTION				
C	-N/A-	070919	DRAWN BY	WAC 021216	TITLE DC SYSTEM WATCHDOG OUTLINE: NEMA TYPE-1 STYLE-5054 ENCLOSURE		
B	-N/A-	020918	ELECTRONIC APPROVAL SIGNATURES MAINTAINED BY MFG ECN LOG		DRAWING No		REV
A	-N/A-	021216	UNLESS OTHERWISE NOTED DIMENSIONS ARE IN INCHES. TOLERANCES ARE:		JE5262-00		C
REV	ECN No	DATE			SCALE	PART No	SHEET
					NTS	JE5262-00	1 OF 1