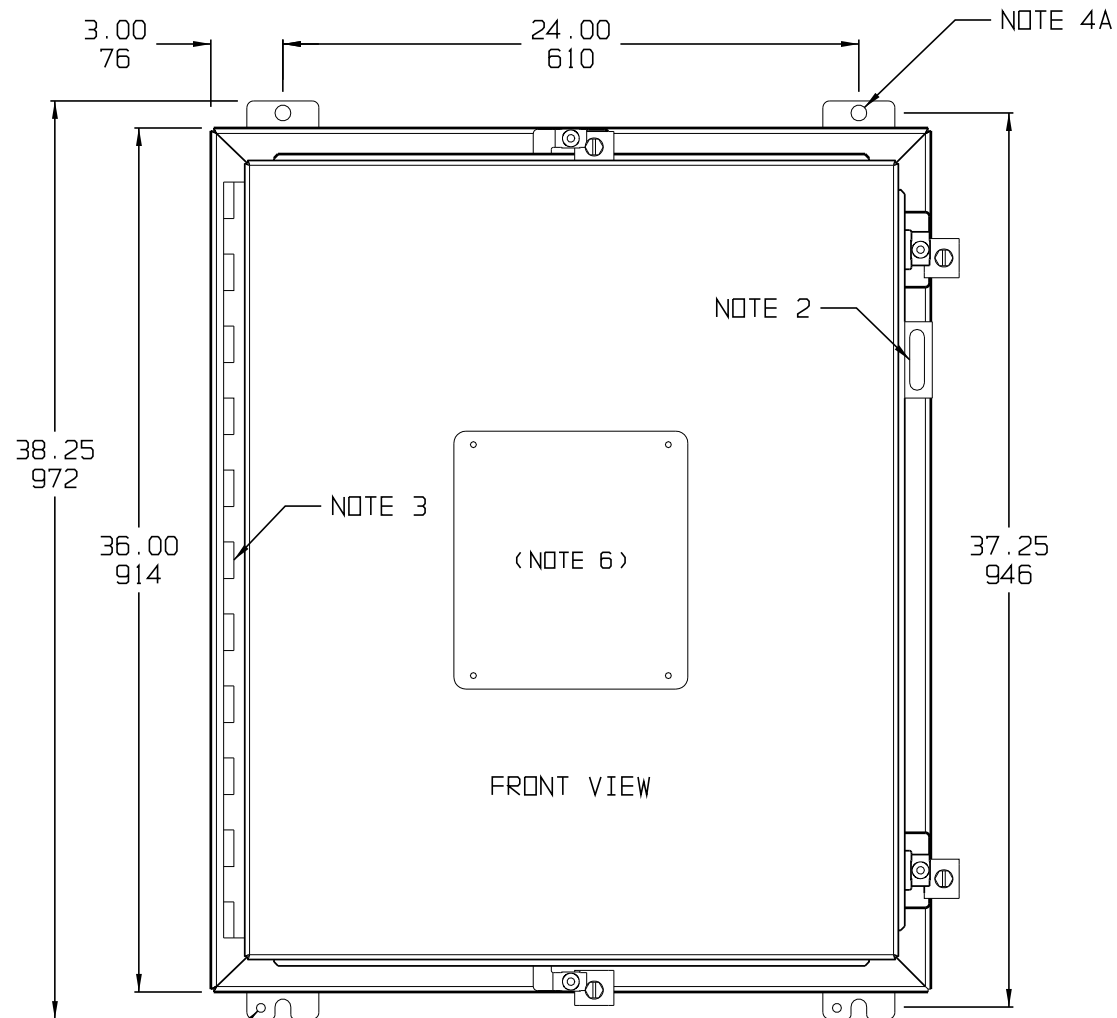
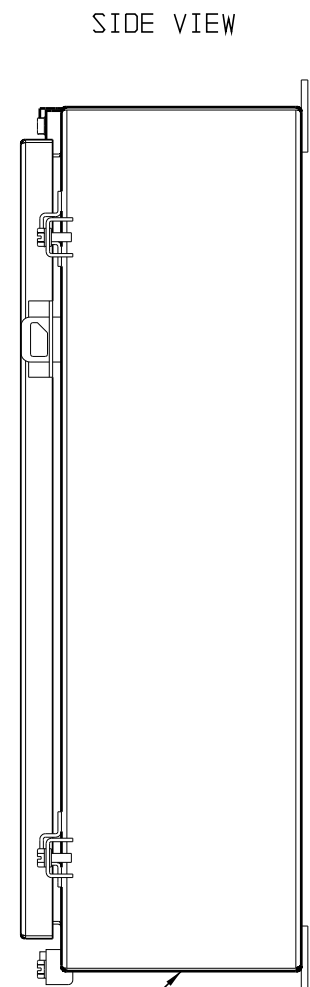


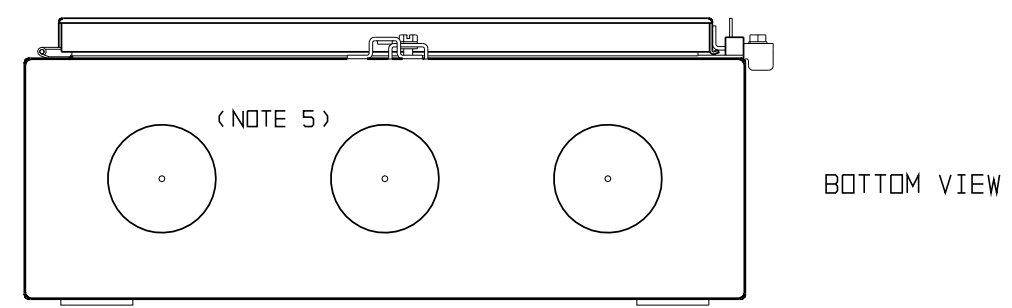
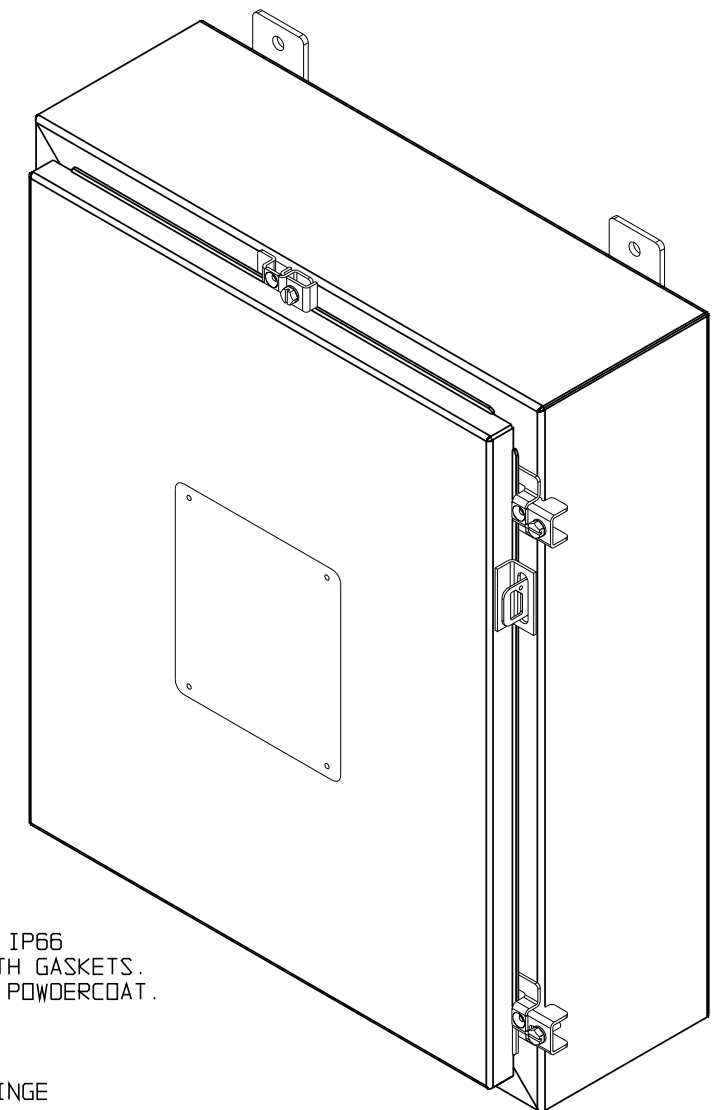
TOP VIEW



FRONT VIEW



SIDE VIEW

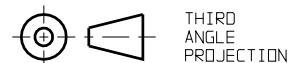


BOTTOM VIEW

NOTES:

- 1) ENCLOSURE IS A NEMA TYPE 4 / IP66 14 GA SHEET STEEL CABINET WITH GASKETS. FINISH IS ANSI-61 GRAY EPOXY POWDERCOAT.
- 2) RIGHT SIDE PADLOCK HASP
- 3) STAINLESS STEEL CONTINUOUS HINGE
- 4) MOUNTING POINTS:
 A) TWO (2) 7/16in / 11mm MTG HOLES
 B) TWO (2) 7/16in / 11mm MTG SLOTS
 C) TWO (2) 1/4in / 6mm MTG HOLES (OFF-SET)
- 5) ENCLOSURE FEATURES THREE (3) 4.50in / 114mm BOTTOM-ACCESS HOLES, WITH THREE (3) INTERNAL PLUGS AND LANYARDS SUPPLIED.
- 6) LAMINATED PLASTIC ENGRAVED DATA PLATE (p/n FK5048-01).
- 7) CONNECTION PANEL SHIPPING WEIGHT: APPROXIMATELY 185 lb / 84 kg

DUAL DIMENSIONS in mm



THIRD ANGLE PROJECTION

			DRAWN BY MCR 062518		TITLE TRAILER CONNECTION PANEL (TCP) OUTLINE: NEMA TYPE 4 ENCLOSURE (PN5028-02)		
			ELECTRONIC APPROVAL SIGNATURES MAINTAINED BY MFG ECN LOG		DRAWING No JE5277-20		
			UNLESS OTHERWISE NOTED DIMENSIONS ARE IN INCHES. TOLERANCES ARE:		REV B B		
REV	ECN No	DATE			SCALE NTS	PART No JE5277-20	SHEET 1 OF 1