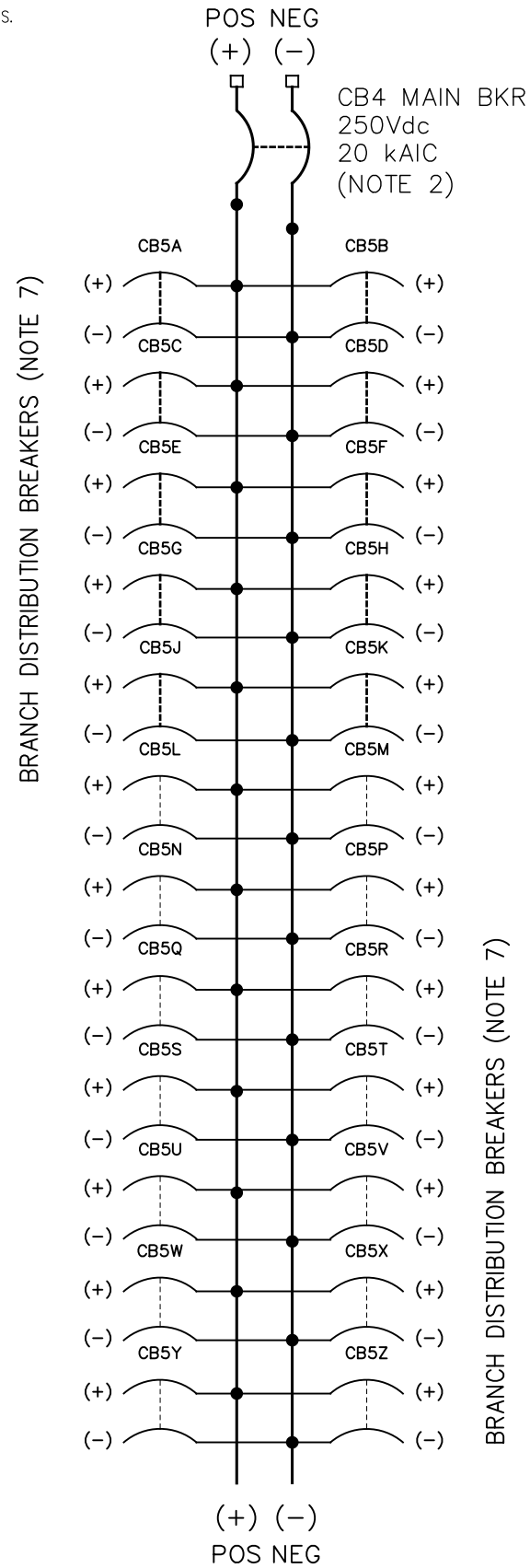
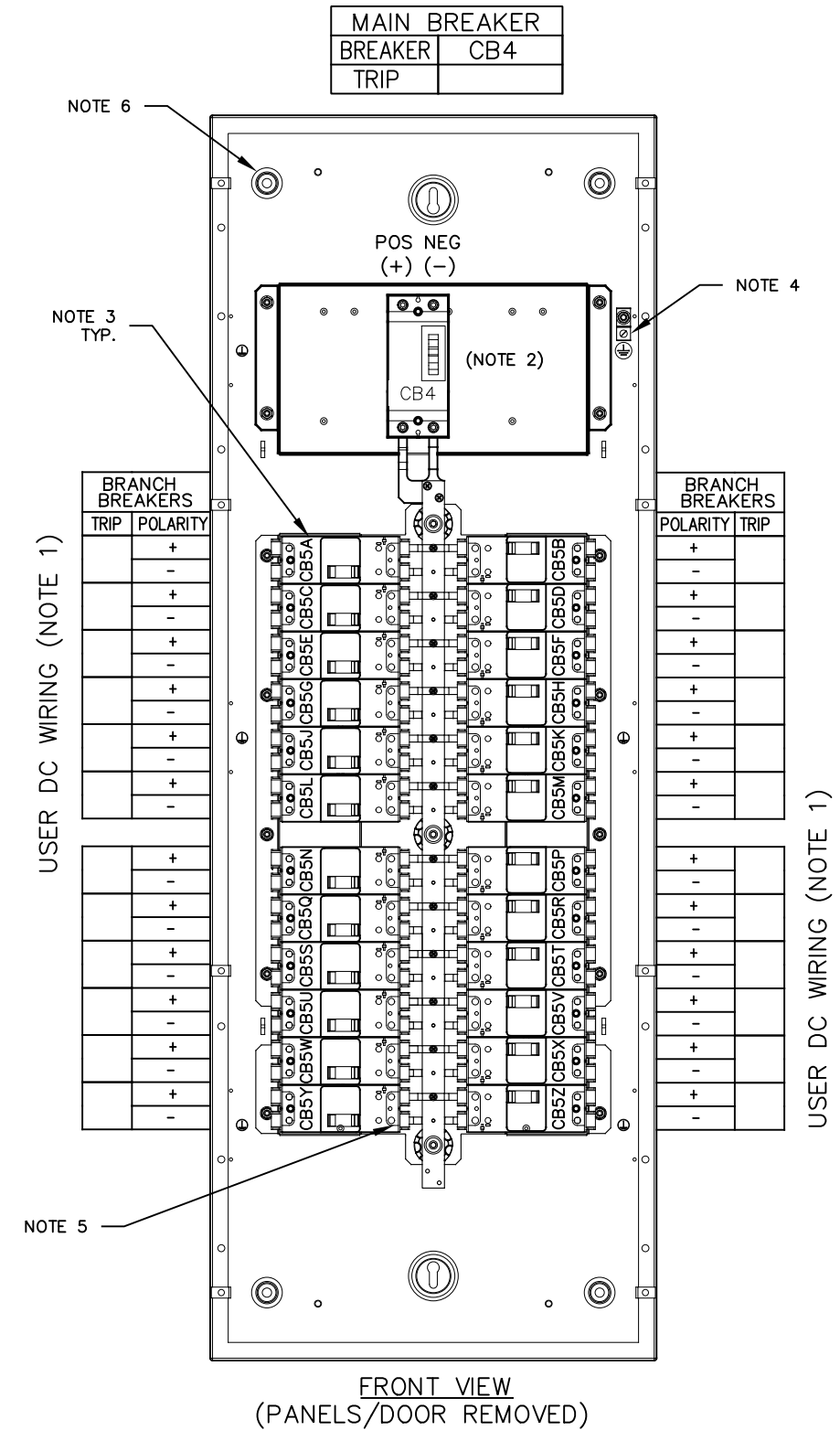


NOTES:

- ALL WIRING SHOULD CONFORM TO NEC, LOCAL, AND SITE CODES. USE ONLY COPPER (CU) CONDUCTORS.
- ONE (1) MAIN FEEDER CIRCUIT BREAKER (CB4)
  - Square-D Power Pact Hx2-FRAME
  - COMPRESSION LUGS, ACCEPTING #14 TO 3/0 AWG WIRE
- BRANCH BREAKERS (CB5x)
  - Square-D Power Pact Bx2-FRAME
  - COMPRESSION LUGS, ACCEPTING #14 TO 3/0 AWG WIRE
- CU-AL GROUND COMPRESSION BOX LUG TERMINAL
  - ACCEPTING #14 TO 1/0 AWG WIRE
- COPPER BUS BARS SUPPLIED FOR EASE OF BRANCH CIRCUIT BREAKER INSTALLATION.
- REAR WALL-MOUNTING HOLES, SEE JE5368-51 FOR EXTERNAL MOUNTING DETAILS.
- ALL CIRCUIT BREAKERS (MAIN & BRANCH) ARE LISTED TO STANDARD UL 489.
- FOR FURTHER DETAILS, SEE DCP OPERATING INSTRUCTIONS (JA5117-01).



DC CONTROL PANEL SCHEMATIC



FRONT VIEW (PANELS/DOOR REMOVED)

REV	DRN BY	CHK BY	APP BY	DATE	DRN BY	DATE	TITLE <b>DC CONTROL PANEL INTERNAL COMPONENT LAYOUT DRAWING STYLE-5013 MH56 - (1) Hx2 MAIN</b>
0	MCR	n/a	n/a	01.17.2024	MCR	01.17.2024	
DESCRIPTION				CHK BY	DATE		
REV 0: INITIAL RELEASE				APP BY	DATE		
				NOTICE			
				• UNCONTROLLED DOCUMENT			
				• CHANGES / DIGITAL SIGNATURES MAINTAINED BY MANUFACTURER			
				THIRD ANGLE PROJECTION	SIZE	SCALE	DWG No
					<b>B</b>	<b>NTS</b>	<b>JE5369-51</b>
							REV 0 SHEET 1 OF 1