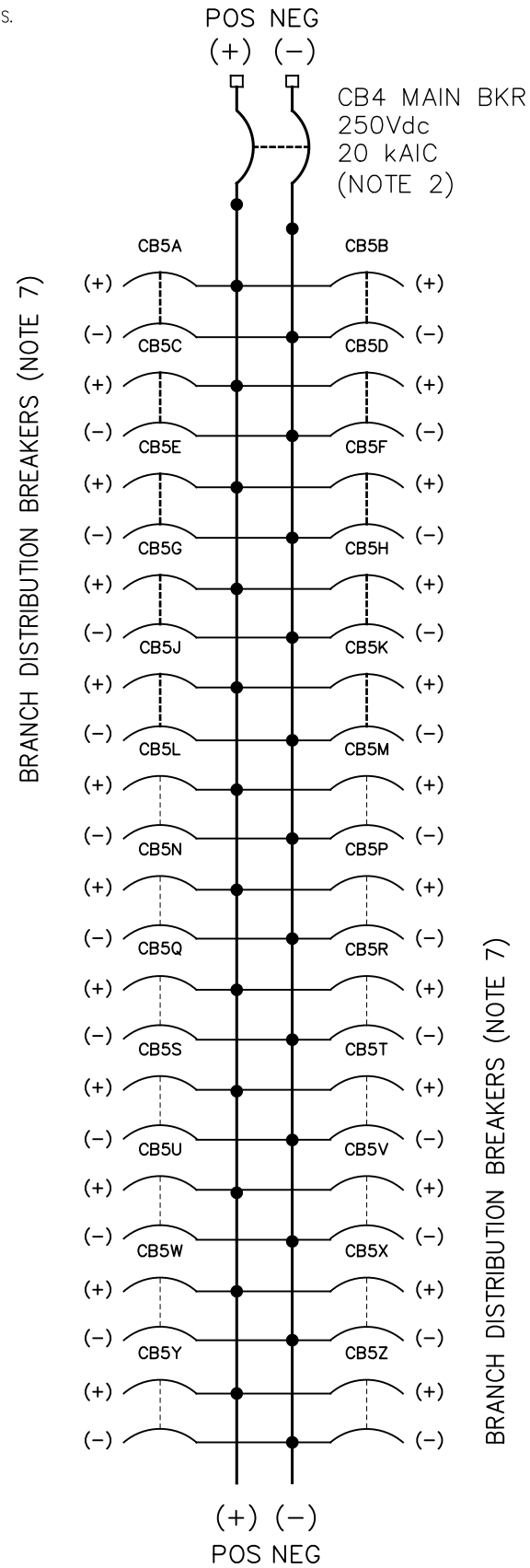
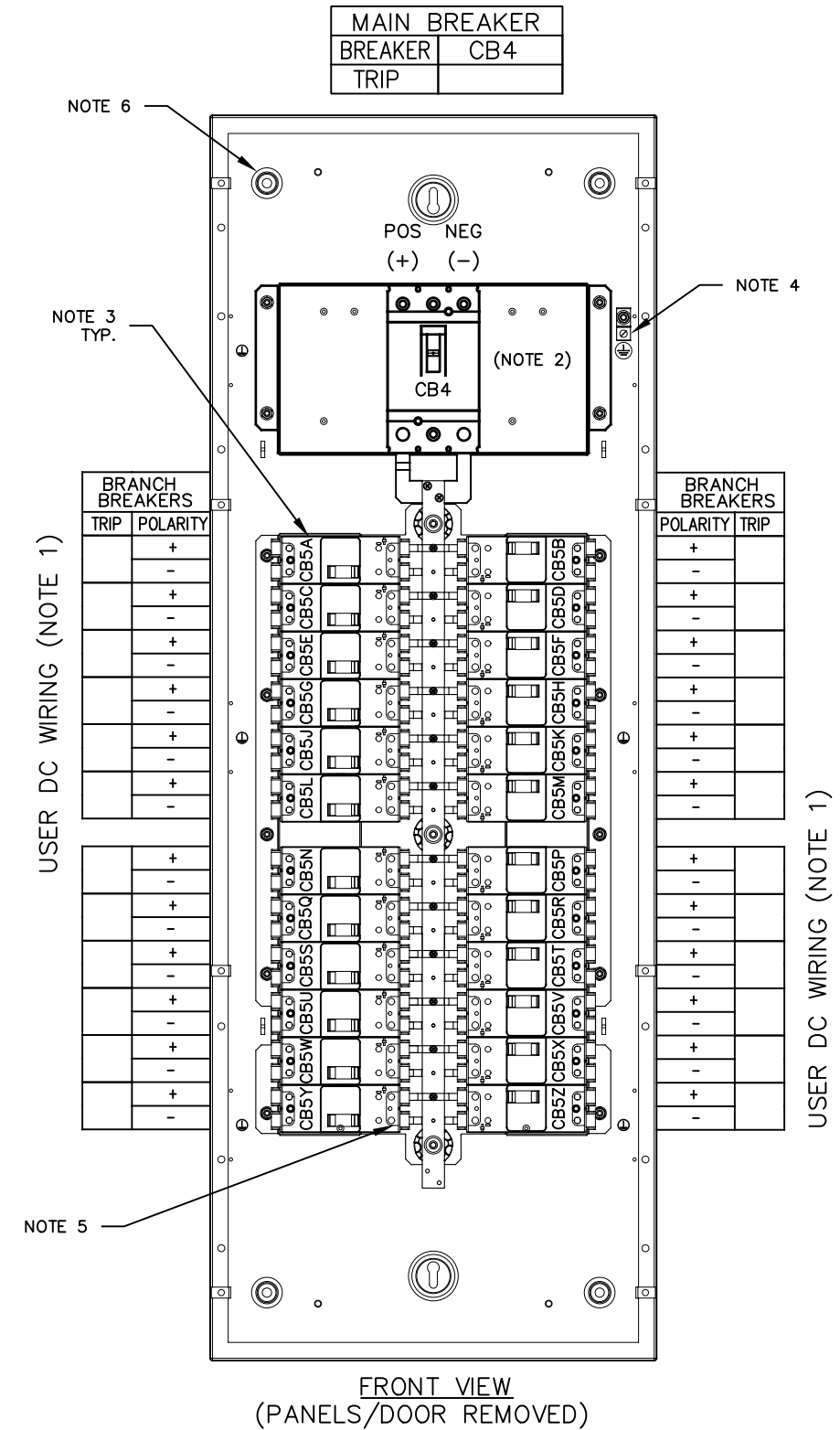


NOTES:

1. ALL WIRING SHOULD CONFORM TO NEC, LOCAL, AND SITE CODES. USE ONLY COPPER (CU) CONDUCTORS.
2. ONE (1) MAIN FEEDER CIRCUIT BREAKER (CB4)
 - Square-D Power Pact Jx2-FRAME
 - COMPRESSION LUGS, ACCEPTING 3/0 TO 350 MCM
3. BRANCH BREAKERS (CB5x)
 - Square-D Power Pact Bx2-FRAME
 - COMPRESSION LUGS, ACCEPTING #14 TO 3/0 AWG
4. CU-AL GROUND COMPRESSION BOX LUG TERMINAL
 - ACCEPTING #14 TO 1/0 AWG WIRE
5. COPPER BUS BARS SUPPLIED FOR EASE OF BRANCH CIRCUIT BREAKER INSTALLATION.
6. REAR WALL-MOUNTING HOLES, SEE JE5368-56 FOR EXTERNAL MOUNTING DETAILS.
7. ALL CIRCUIT BREAKERS (MAIN & BRANCH) ARE LISTED TO STANDARD UL 489.
8. FOR FURTHER DETAILS, SEE DCP OPERATING INSTRUCTIONS (JA5117-01).



DC CONTROL PANEL SCHEMATIC



FRONT VIEW
(PANELS/DOOR REMOVED)

REV	DRN BY	CHK BY	APP BY	DATE	DRN BY	DATE	TITLE DC CONTROL PANEL INTERNAL COMPONENT LAYOUT DRAWING STYLE-5013 MH56 - (1) Jx2 MAIN
0	MCR	n/a	n/a	01.17.2024	MCR	01.17.2024	
DESCRIPTION				CHK BY	DATE		
REV 0: INITIAL RELEASE				APP BY	DATE		
				NOTICE			
				• UNCONTROLLED DOCUMENT			
				• CHANGES / DIGITAL SIGNATURES MAINTAINED BY MANUFACTURER			
				THIRD ANGLE PROJECTION	SIZE	SCALE	DWG No
					B	NTS	JE5369-56
							REV
							0
							SHEET
							1 OF 1