

AT-DC Series

COMPLEMENTARY DC DISTRIBUTION CENTER



Combine a battery charger with a distribution panel made for your specific application.

Charger and distribution panel are wired and assembled as one unit ready for installation.

Very simple
Very clean

- Compatible with any AT Series battery charger
- Assembly is floor, wall or rack mountable

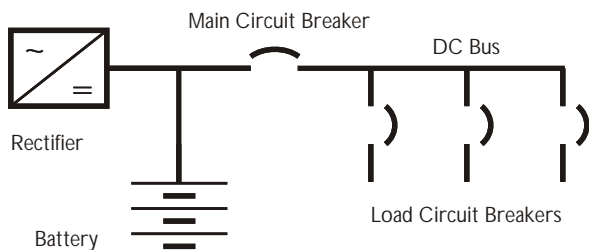

HINDLEPOWER

HindlePower's AT-DC Distribution Center is a clean and simple solution for your DC distribution

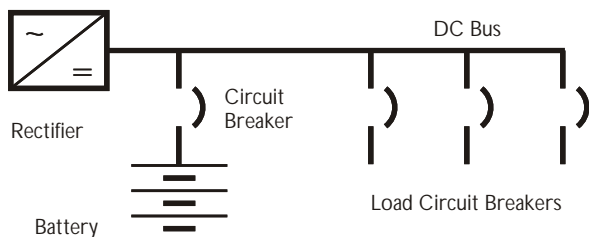
GENERAL INFORMATION

1. Battery charger/Distribution Panel is factory wired and fully assembled.
2. Engraved Functional nameplates for all circuit breakers.
3. Schedule label included to identify circuit breaker function.
4. Circuit breakers electrically rated for 10KAIC at 125Vdc.
High interrupting capacity breakers are available for special requirements.
5. Main circuit breaker and all branch circuit breakers are 2 pole, series trip.
6. DC Distribution Center enclosure constructed with 14 gauge steel and powder coated with ANSI 61gray epoxy paint.
7. Ground bus optional.
8. Standard configuration is (1) Main circuit breaker 100 amps and up to (14) distribution circuit breakers, 50 amps max. Other configurations are available on special order.
9. Order battery charger separately; batteries not included.

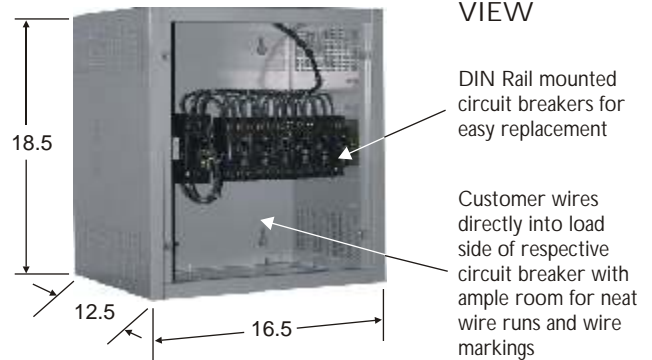
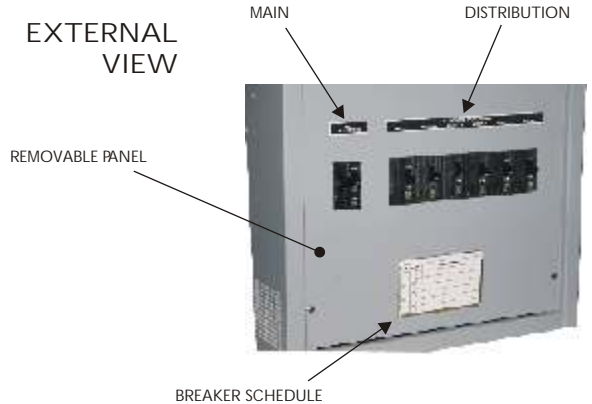
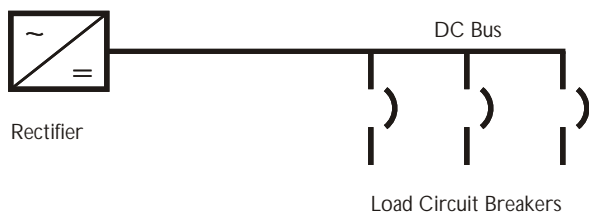
CONFIGURATION A: Main Load Circuit Breaker



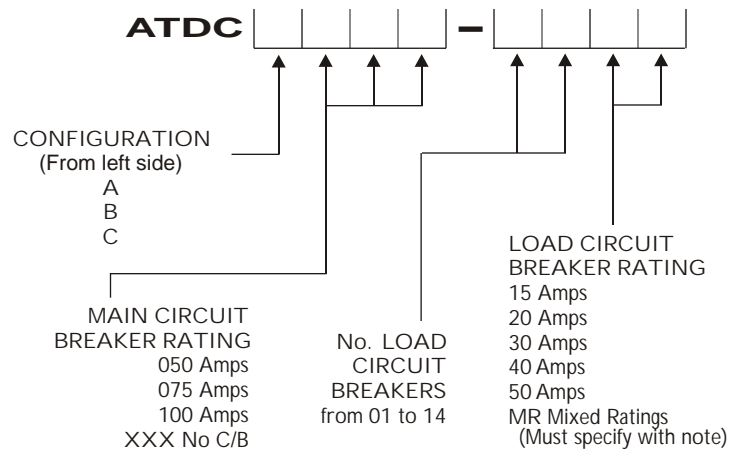
CONFIGURATION B: Battery Circuit Breaker



CONFIGURATION C: No Main Circuit Breaker



ORDERING INFORMATION



Specifications subject to change without notice

