

No.	DRAWING No.	REV	SHT	DRAWING TITLE
1	JE5050-00	5	1	RMC DRAWING LIST / DATA NAMEPLATE (THIS SHEET)
2	JE5051-00	5	1	RMC OUTLINE: STYLE-2 ENCL W/CASTERS & NEMA-2 DRIP SHIELD
3	JE5052-00	5	1	RMC INTERNAL COMPONENT LAYOUT: NEMA-2 STYLE-2
4	JE5053-00	5	1	RMC SERIES INSTRUMENT PANEL DETAIL
5	JE5054-00	5	1	RMC SERIES SCHEMATIC: BB5000-00
6	JE5055-00	5	1	RMC SERIES CONNECTION DIAGRAM: BB5000-00

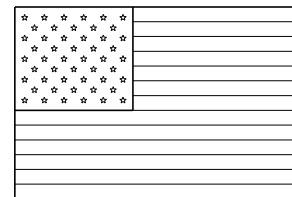
RELATED DOCUMENTATION

- STANDARD OPERATING MANUAL: JA5036-00.pdf
- SUPPLEMENTAL OPERATION: JA0116-00.pdf
- PARTS DATA PACKAGE REPORT: BB5000-00PD.pdf
- SALES CATALOG CUT SHEET: JF5015-00.pdf

RAILROAD MAINTENANCE CHARGER - UNIT CERTIFICATION

- DESIGNED, MANUFACTURED AND TESTED TO NEMA PE5-1983 STANDARD

MADE IN



U. S. A.

DRAWING PACKAGE NOTES:

- A) THIS DRAWING PACKAGE REPRESENTS PART No. JH0003-RMC.
- B) ALL SHEETS OF THE ABOVE LIST ARE A COMPLETE PACKAGE AND SHOULD NOT BE SEPERATED FROM ONE ANOTHER.
- C) ELECTRONIC VERSIONS OF THESE DOCUMENTS ARE AVAILABLE IN AutoCAD (DWG) FORMAT AND/OR Adobe Acrobat (PDF) FORMAT.

BATTERY CHARGER / RECTIFIER

MODEL No. BB5000-00
SERIAL No. CUST. PO#/MFG. SALES#

INPUT		OUTPUT	
AC VOLTS	480	DC VOLTS	75
MAX. AC AMPERES	15	DC AMPERES	100
HERTZ	60	PHASE	3
		RIPPLE mV rms	2%
BATTERY TYPE		PB	No. OF CELLS
			32

NOTE 4 →

NOTE 3 →

← NOTE 1

← NOTE 2

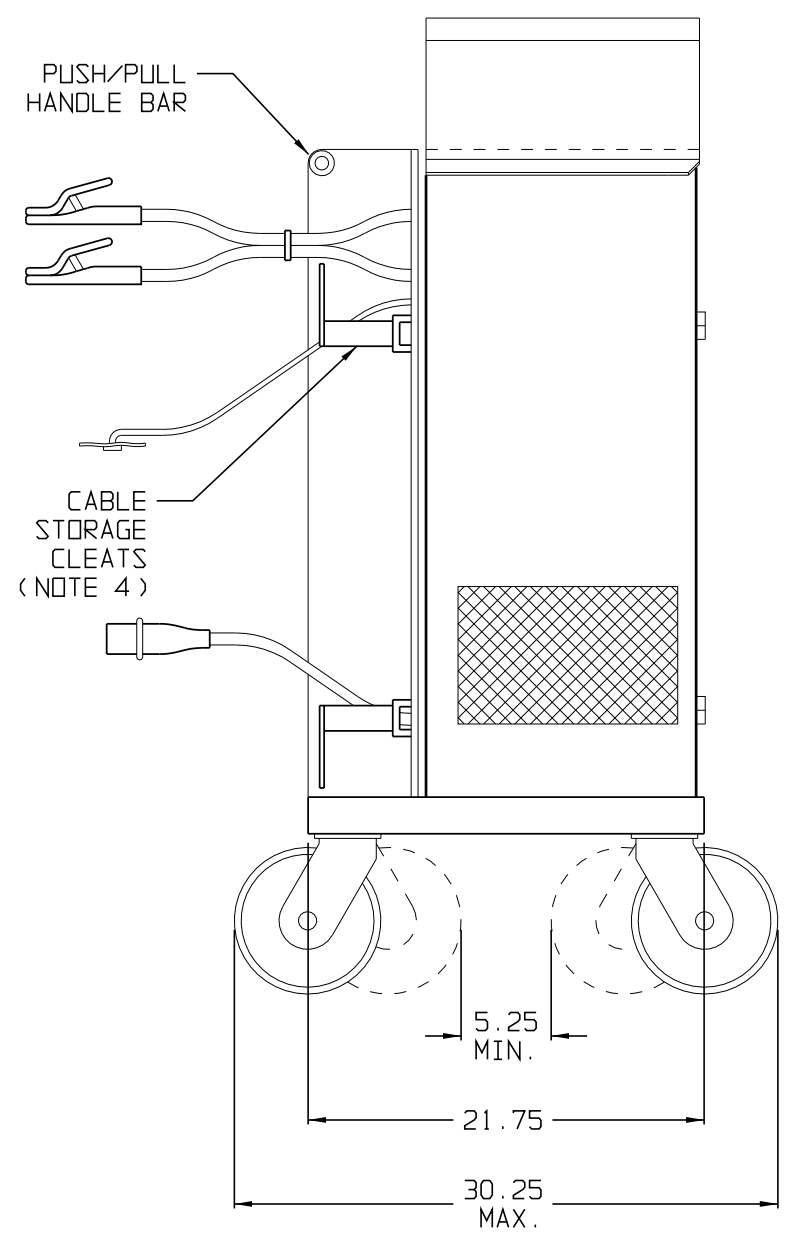
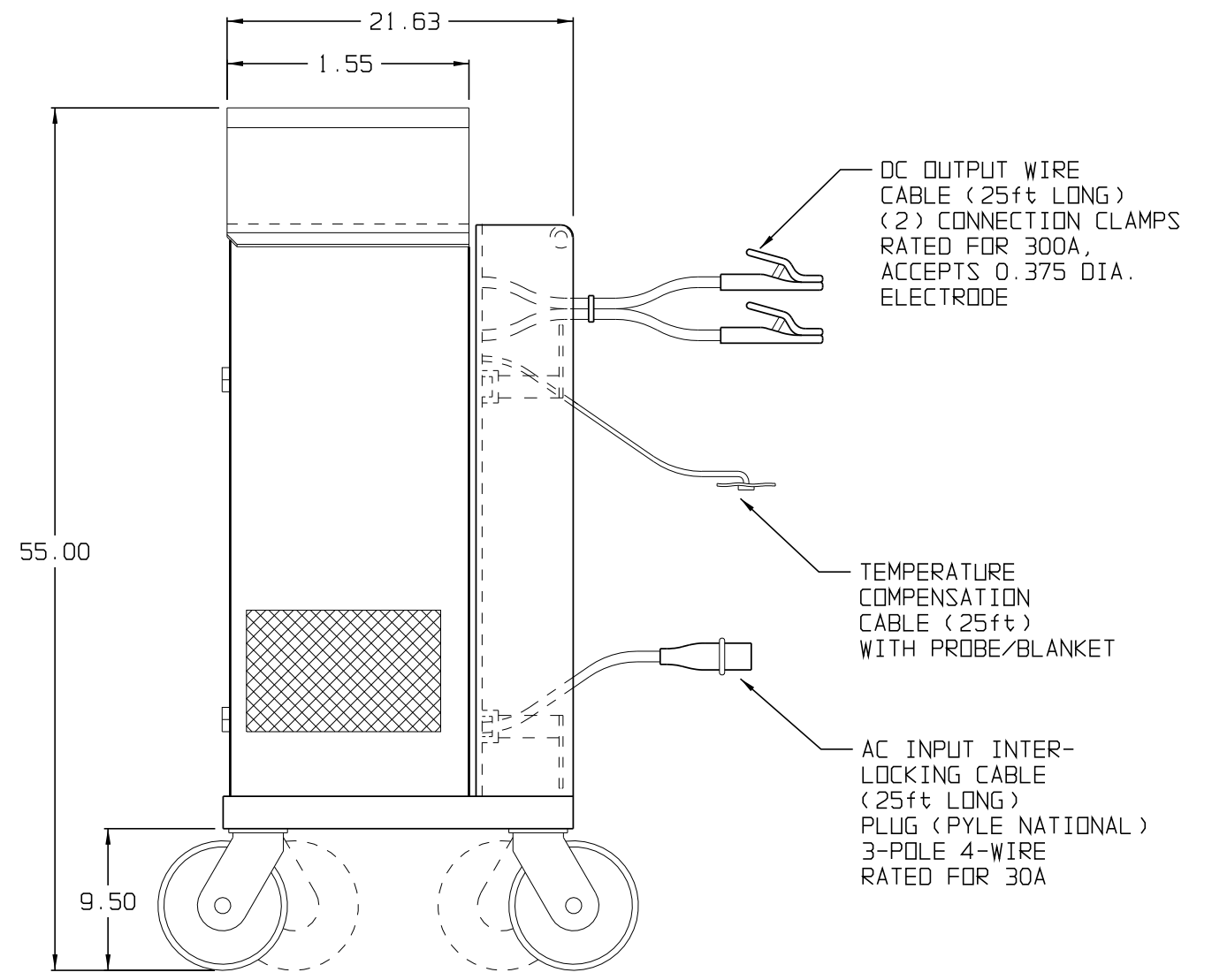
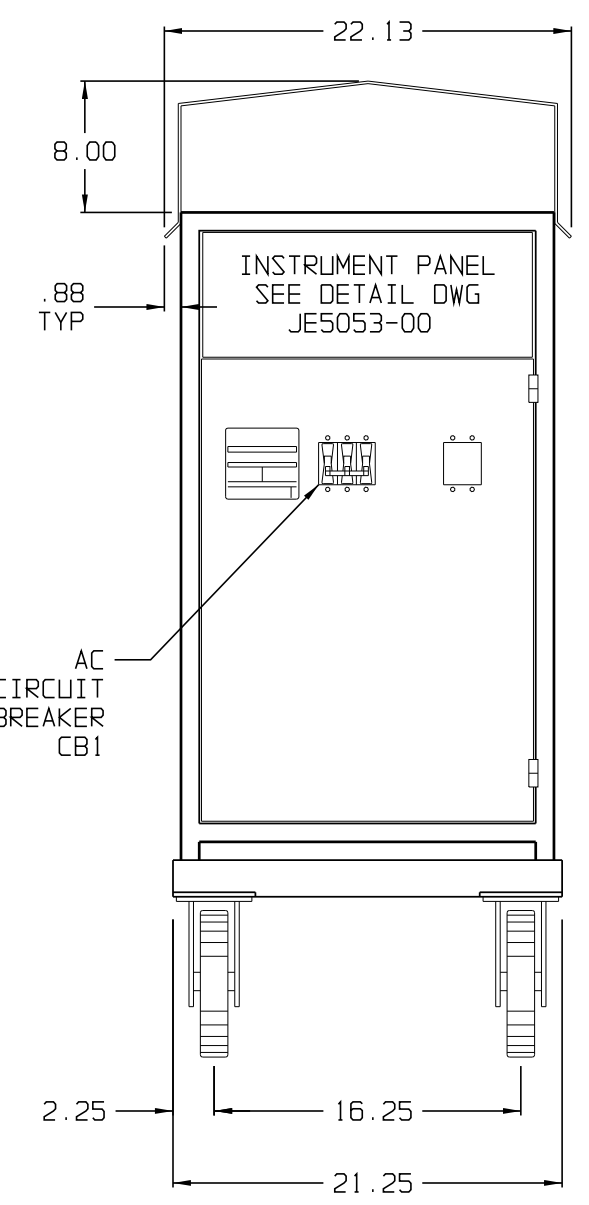
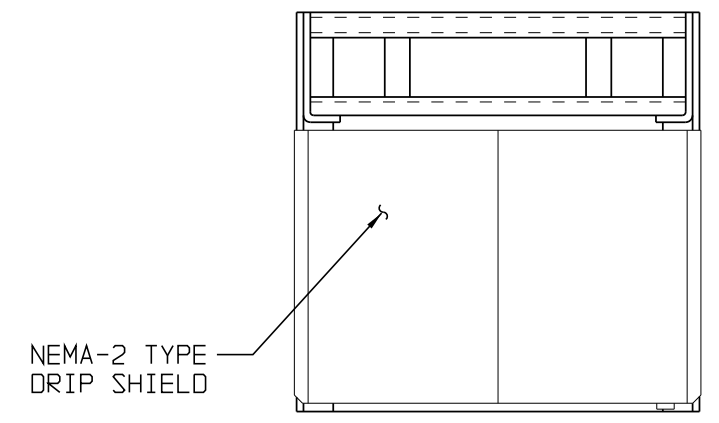
NAMEPLATE NOTES:

- 1) FEATURED SERIAL NUMBER REPRESENTS ONE UNIT. MULTIPLE UNITS WILL BE NUMBER-SEQUENCED (e.g. -1,-2,-3, etc.). DATE CODE ALSO ADDED AT TIME OF MANUFACTURING.
- 2) RMC SERIES BATTERY CHARGERS ARE DESIGNED AND TESTED TO MEET NEMA PE5-1996 STANDARD. LISTED RIPPLE VALUE REPRESENTS MAXIMUM ALLOWABLE LIMIT. ACTUAL CHARGER OUTPUT RIPPLE MAY BE LOWER WHEN CONNECTED TO BATTERY.
- 3) "PB" INDICATES "LEAD ACID" BATTERY TYPE.
- 4) AC AMPERES LISTED ON DATAPLATE IS A CALCULATED VALUE OF CHARGER'S INPUT CURRENT AT MAX OUTPUT. MEASURED AC CURRENT DURING NOMINAL OPERATION WILL BE LOWER. USER WIRING AND FEEDER BREAKER TO AC INPUT TERMINAL BLOCK (TB1) SHOULD CONFORM TO NEC AND SITE CODES, AND BE SIZED FOR THE TRIP RATING OF AC INPUT BREAKER (CB1).

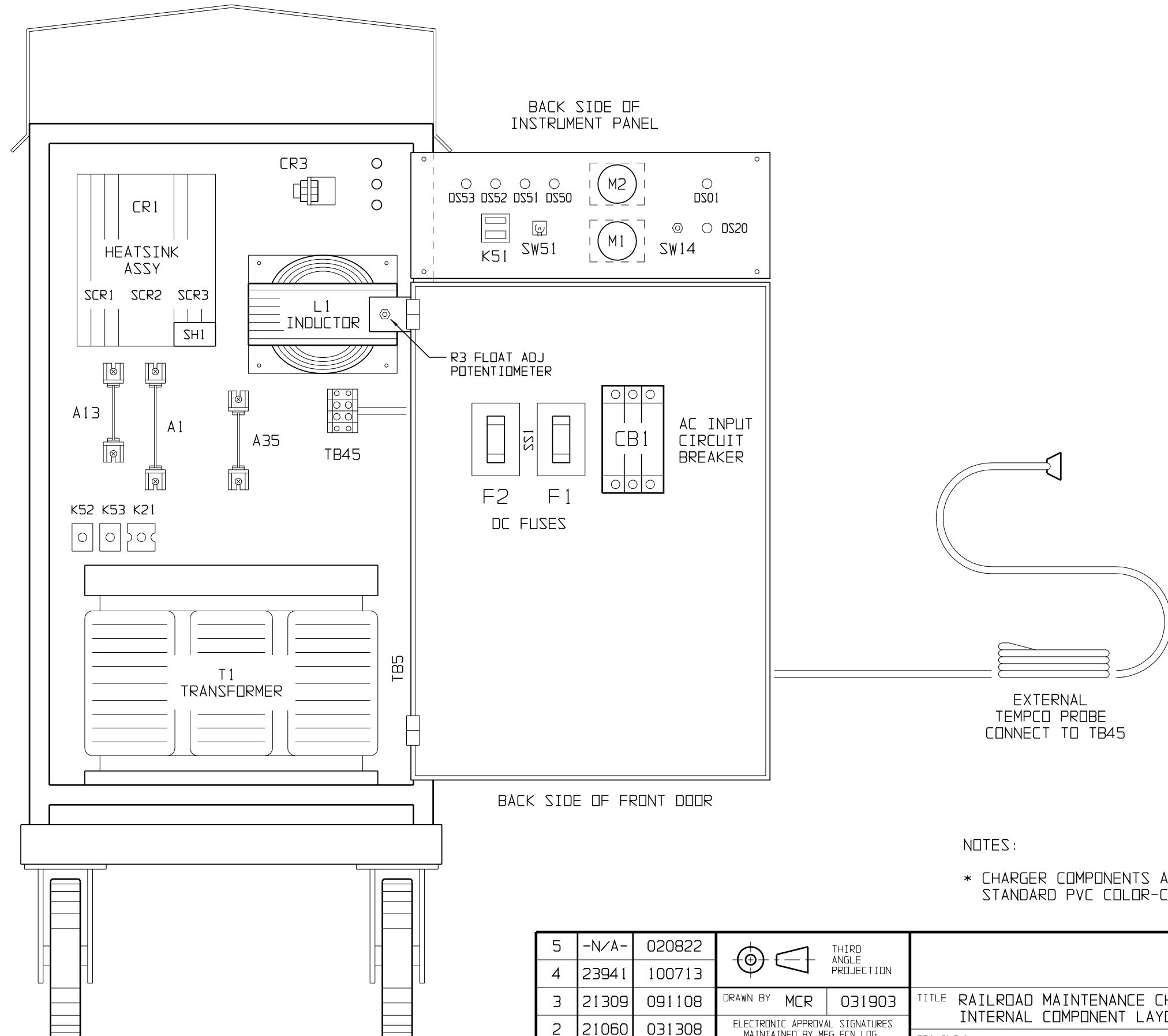
5	-N/A-	020822		THIRD ANGLE PROJECTION	TITLE RAILROAD MAINTENANCE CHARGER (RMC) DRAWING LIST / DATA NAMEPLATE DETAIL			
4	23941	100713						
3	21309	091108	DRAWN BY MCR 031903		DRAWING No. JE5050-00 REV 5 B			
2	21060	031308	ELECTRONIC APPROVAL SIGNATURES MAINTAINED BY MFG ECN LOG					
0	E1180	031903	UNLESS OTHERWISE NOTED DIMENSIONS ARE IN INCHES. TOLERANCES ARE:		SCALE	NTS	SALES No. JE5050-00	SHEET 1 OF 1
REV	ECN No	DATE						

NOTES:

- 1) ALLOW 6in OF FREE AIR ALL AROUND CABINET FOR VENTILATION.
- 2) ENCLOSURE IS A NEMA-1 TYPE STEEL CABINET WITHOUT GASKETS, FINISH IS ANSI-61 GRAY EPOXY POWDERCOAT.
- 3) UNIT SHIPPING WEIGHT APPROXIMATELY 600lbs.
- 4) CABLE STORAGE CLEATS ARE PROVIDED ON BACK PANEL FOR AC INPUT CABLE, DC OUTPUT CABLE AND TEMPERATURE COMPENSATION PROBE.

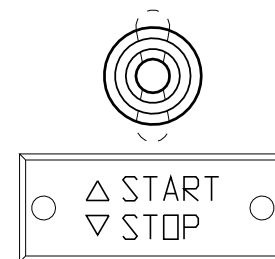
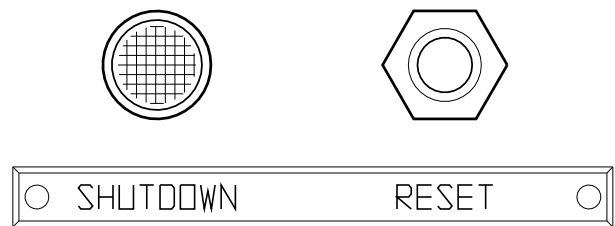
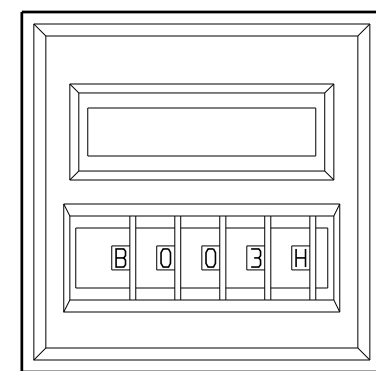
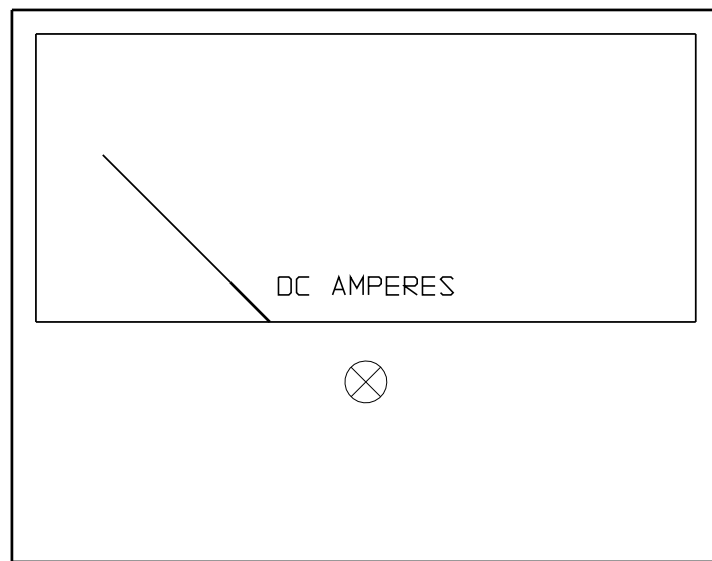
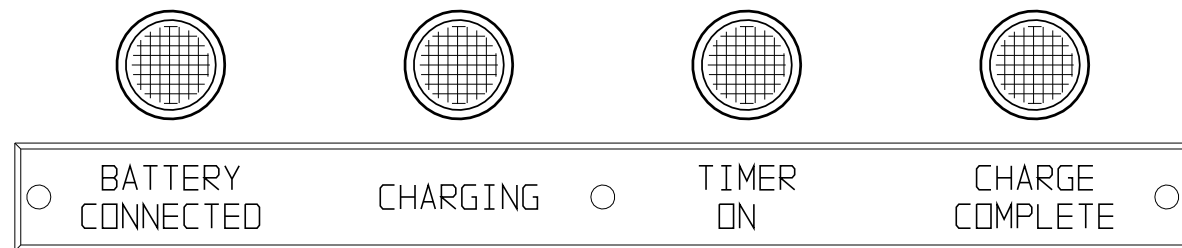
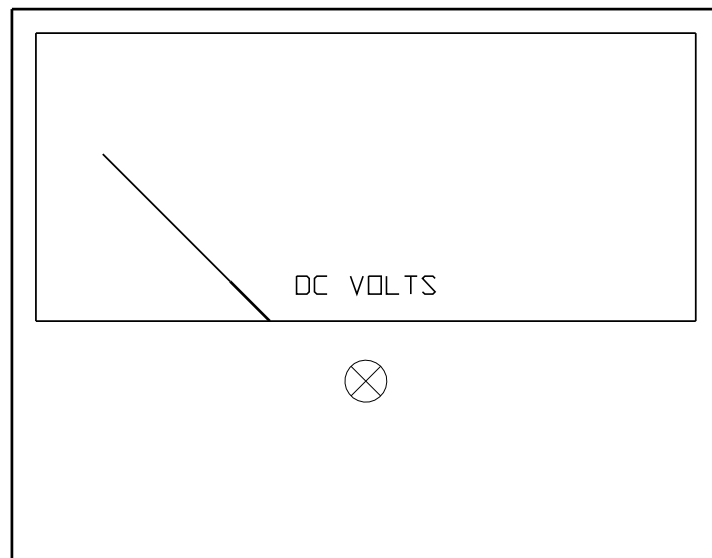
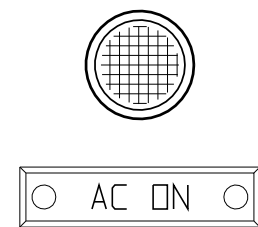


5	-N/A-	020822	 THIRD ANGLE PROJECTION	TITLE RAILROAD MAINTENANCE CHARGER OUTLINE: ST-2 ENCL ON CASTERS W/NEMA-2 DRIP SHIELD		
4	23941	100713				
3	21309	091108	DRAWN BY MCR 031903	DRAWING No JE5051-00		
2	21060	031308	ELECTRONIC APPROVAL SIGNATURES MAINTAINED BY MFG ECN LOG	REV 5	B	
0	E1180	031903	UNLESS OTHERWISE NOTED DIMENSIONS ARE IN INCHES. TOLERANCES ARE:	SCALE NTS		
REV	ECN No	DATE				



NOTES:
 * CHARGER COMPONENTS ARE CONNECTED WITH STANDARD PVC COLOR-CODED WIRING

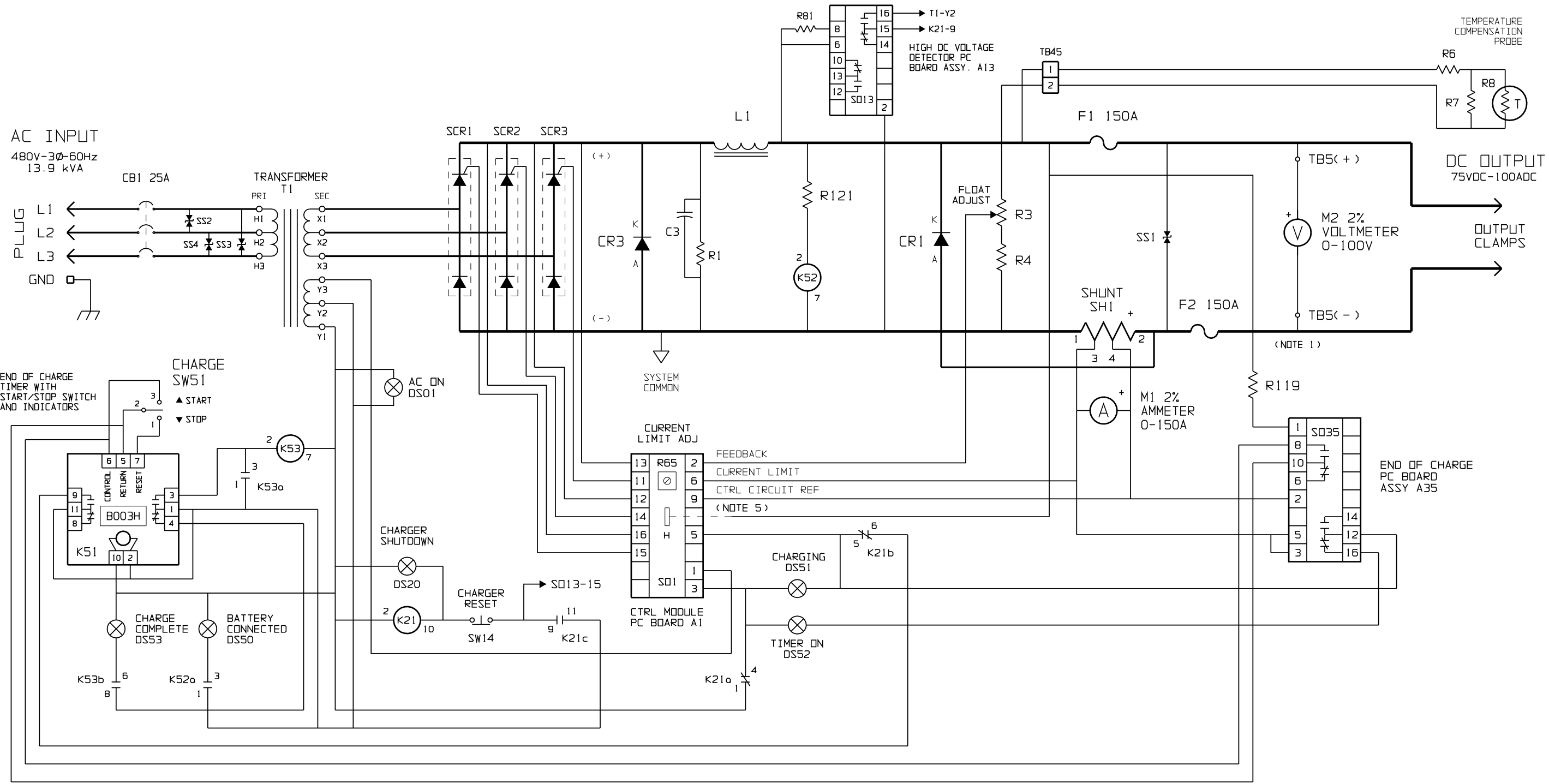
5	-N/A-	020822	 THIRD ANGLE PROJECTION	TITLE RAILROAD MAINTENANCE CHARGER: INTERNAL COMPONENT LAYOUT - STYLE-2 ENCL					
4	23941	100713							
3	21309	091108	DRAWN BY MCR	031903	DRAWING No JE5052-00 <table border="1" style="float: right;"> <tr> <td>REV</td> <td>5</td> <td>B</td> </tr> </table>		REV	5	B
REV	5	B							
2	21060	031308	ELECTRONIC APPROVAL SIGNATURES MAINTAINED BY MFG ECN LOG						
0	E1180	031903	UNLESS OTHERWISE NOTED DIMENSIONS ARE IN INCHES. TOLERANCES ARE:		SCALE NTS SALES No JE5052-00 SHEET 1 OF 1				
REV	ECN No	DATE							



NOTES:

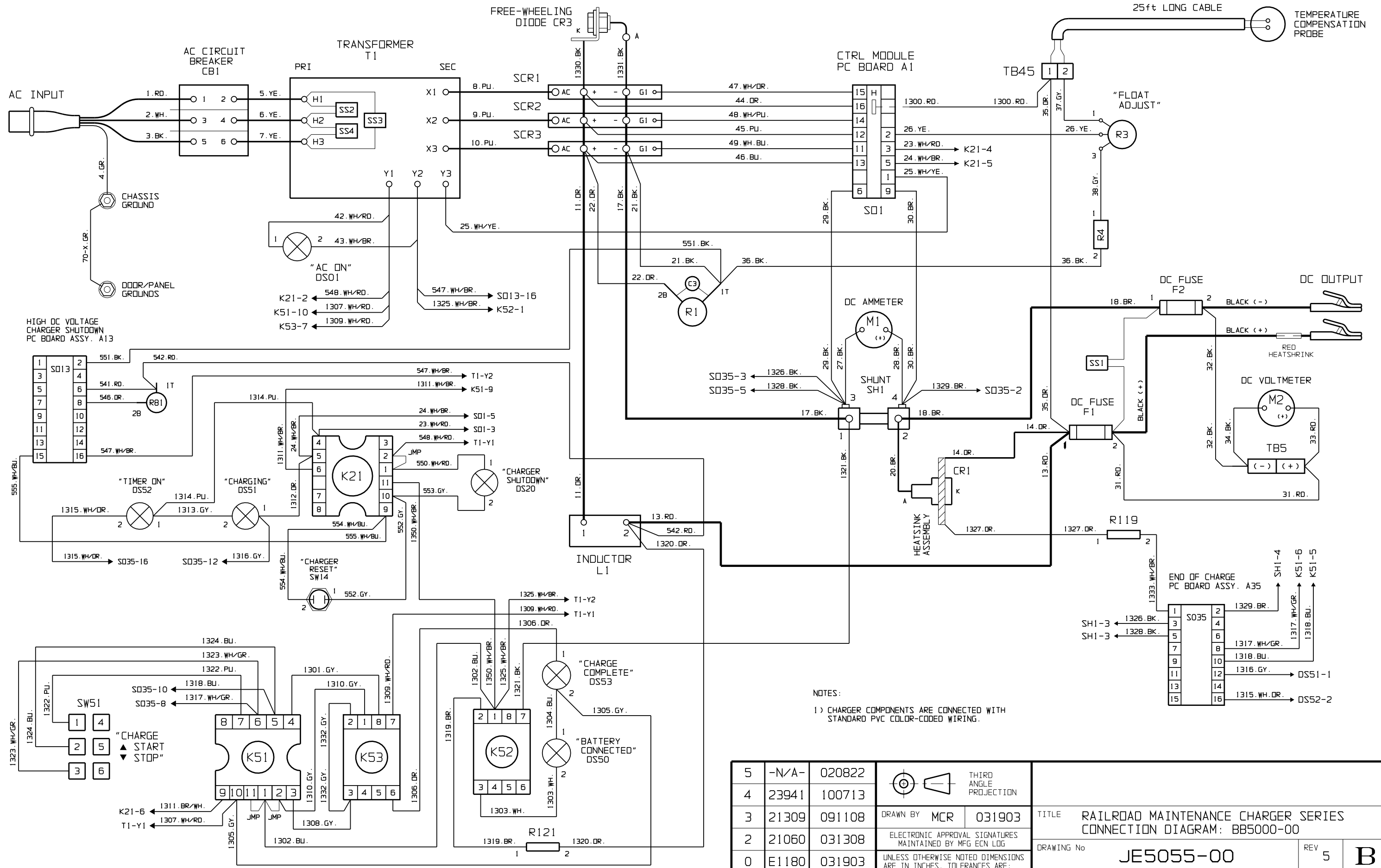
- 1) AC CIRCUIT BREAKER LOCATION IS SHOWN ON THE OUTLINE DRAWING (JE5051-00).
- 2) FLOAT ADJUST POTENTIOMETER LOCATION IS SHOWN ON THE INTERNAL COMPONENT LAYOUT DRAWING (JE5052-00).
- 3) ENGRAVED FUNCTIONAL NAMEPLATES HAVE WHITE LETTERING ON A BLACK BACKGROUND.
- 4) END OF CHARGE TIMER FACTORY SET AT 3 HOURS (PROGRAMMABLE FROM 1 SECOND UP TO 999 HOURS).

5	-N/A-	020822	THIRD ANGLE PROJECTION	TITLE RAILROAD MAINTENANCE CHARGER SERIES: INSTRUMENT PANEL DETAIL		
4	23941	100713				
3	21309	091108	DRAWN BY MCR 031903	DRAWING No JE5053-00 REV 5 B		
2	21060	031308	ELECTRONIC APPROVAL SIGNATURES MAINTAINED BY MFG ECN LOG			
0	E1180	031903	UNLESS OTHERWISE NOTED DIMENSIONS ARE IN INCHES. TOLERANCES ARE:	SCALE NTS	SALES No JE5053-00	SHEET 1 OF 1
REV	ECN No	DATE				



- NOTES:
- 1) TBS IS AN INTERNAL CONNECTION POINT FOR DC POSITIVE AND NEGATIVE SIGNAL WIRING.
 - 2) A35, K51, K52 AND K53 CONTACTS SHOWN IN REST CONDITION (NO AC OR DC POWER APPLIED).
 - 3) A35 RELAYS NORMALLY ENERGIZED WHILE DC CURRENT > 5%.
 - 4) TIMER STARTS WHEN CURRENT DECREASES TO < 5% (A35 RELAYS OPEN). END OF CHARGE TIMER RANGE FACTORY SET AT 3 HOURS (PROGRAMMABLE FROM 1 SECOND UP TO 999 HOURS).
 - 5) TO ENABLE LOW BATTERY VOLTAGE CHARGER OUTPUT DISABLE, CONNECT TO A1-H.

5	-N/A-	020822	 THIRD ANGLE PROJECTION	TITLE RAILROAD MAINTENANCE CHARGER SERIES SCHEMATIC: BB5000-00	
4	23941	100713			
3	21309	091108	DRAWN BY MCR	031903	DRAWING No JE5054-00
2	21060	031308	ELECTRONIC APPROVAL SIGNATURES MAINTAINED BY MFG ECN LOG		
0	E1180	031903	UNLESS OTHERWISE NOTED DIMENSIONS ARE IN INCHES. TOLERANCES ARE:		REV 5 B
REV	ECN No	DATE	SCALE NTS	SALES No JE5054-00	SHEET 1 OF 1



NOTES:
 1) CHARGER COMPONENTS ARE CONNECTED WITH STANDARD PVC COLOR-CODED WIRING.

5	-N/A-	020822	 THIRD ANGLE PROJECTION	TITLE RAILROAD MAINTENANCE CHARGER SERIES CONNECTION DIAGRAM: BB5000-00	
4	23941	100713			
3	21309	091108	DRAWN BY MCR 031903	DRAWING No JE5055-00 REV 5 B	
2	21060	031308	ELECTRONIC APPROVAL SIGNATURES MAINTAINED BY MFG ECN LOG		
0	E1180	031903	UNLESS OTHERWISE NOTED DIMENSIONS ARE IN INCHES. TOLERANCES ARE:	SCALE NTS	SALES No JE5055-00
REV	ECN No	DATE		SHEET 1 OF 1	