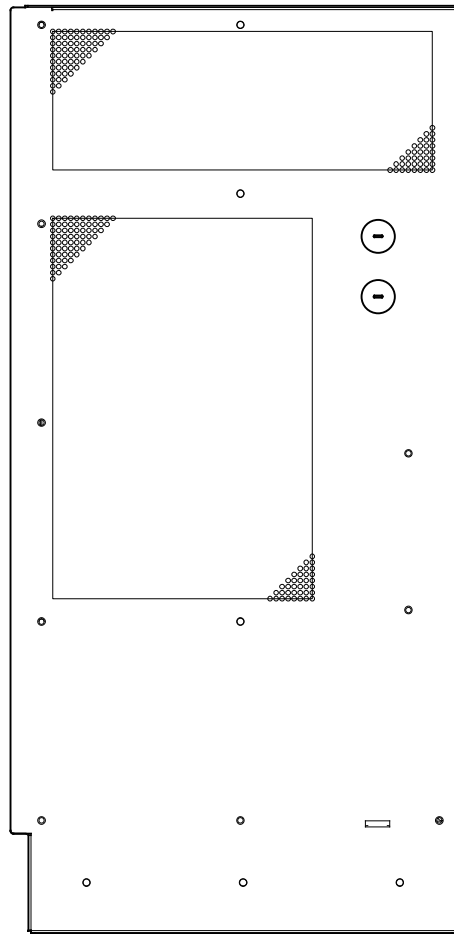
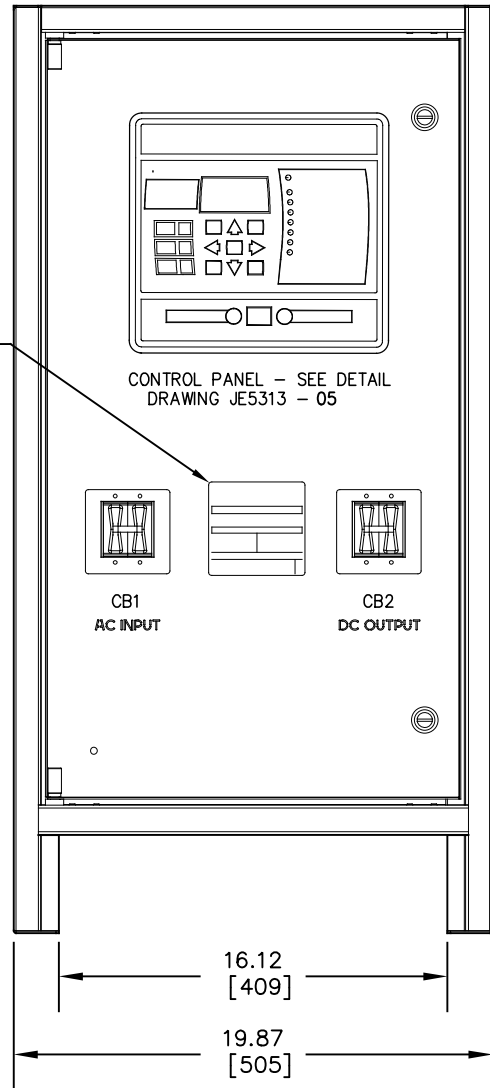


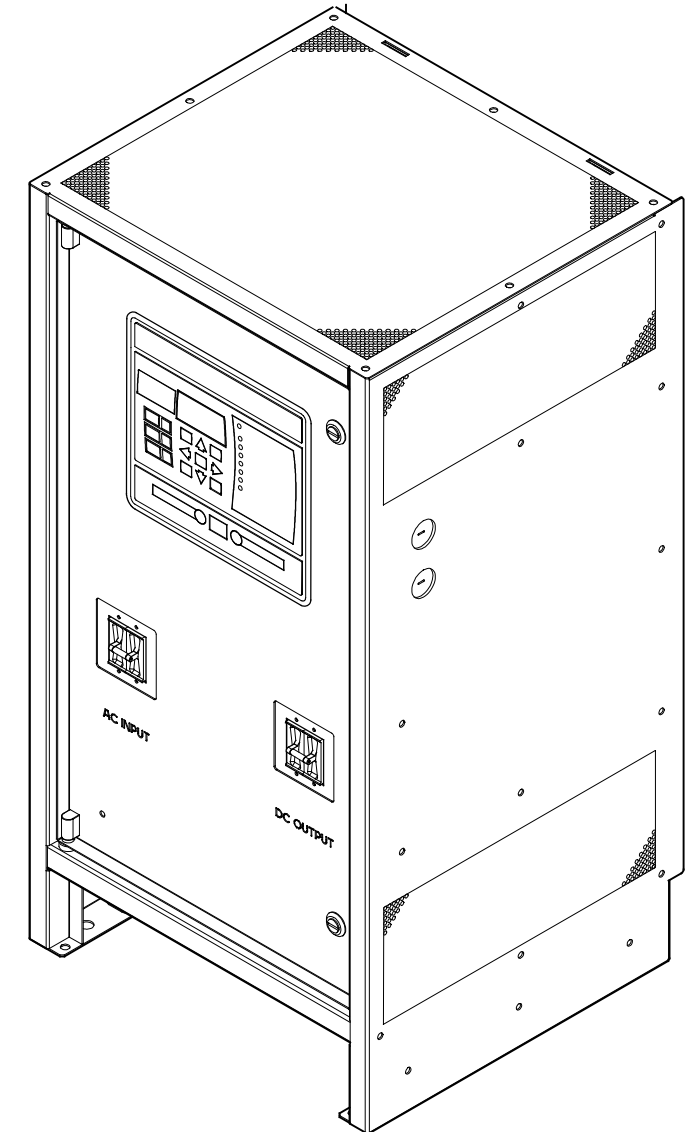
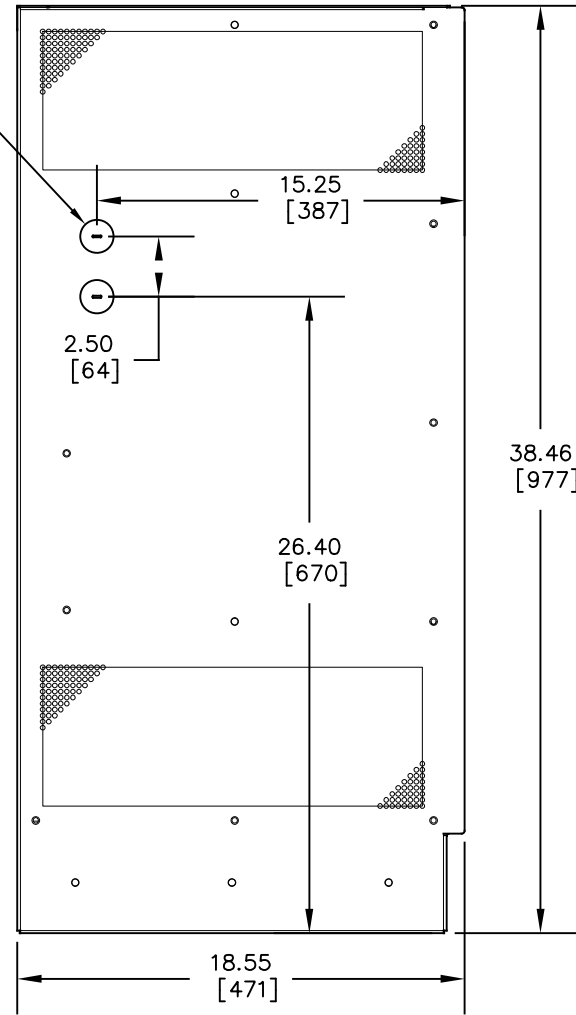
LEFT SIDE VIEW



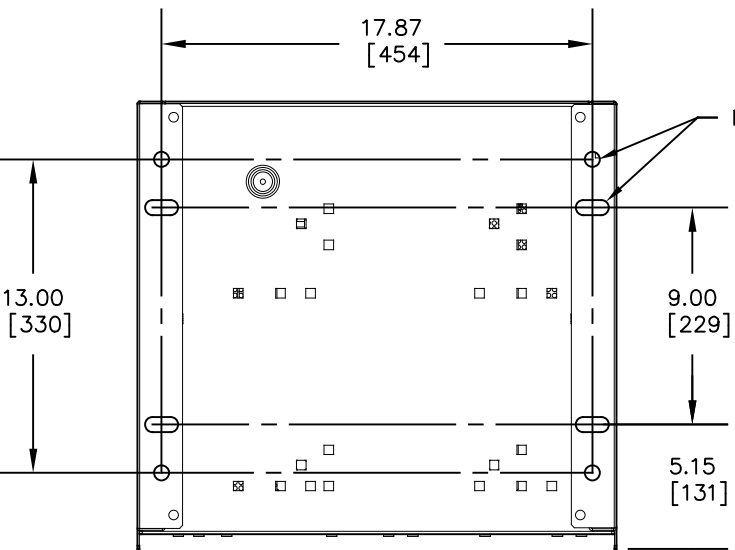
FRONT VIEW



RIGHT SIDE VIEW



NOTE 3



NOTE 4

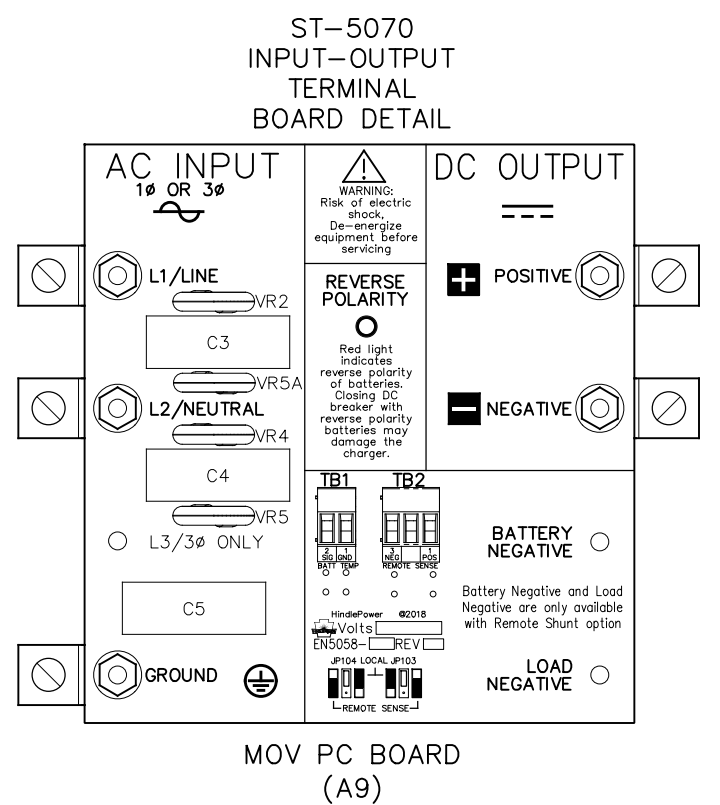
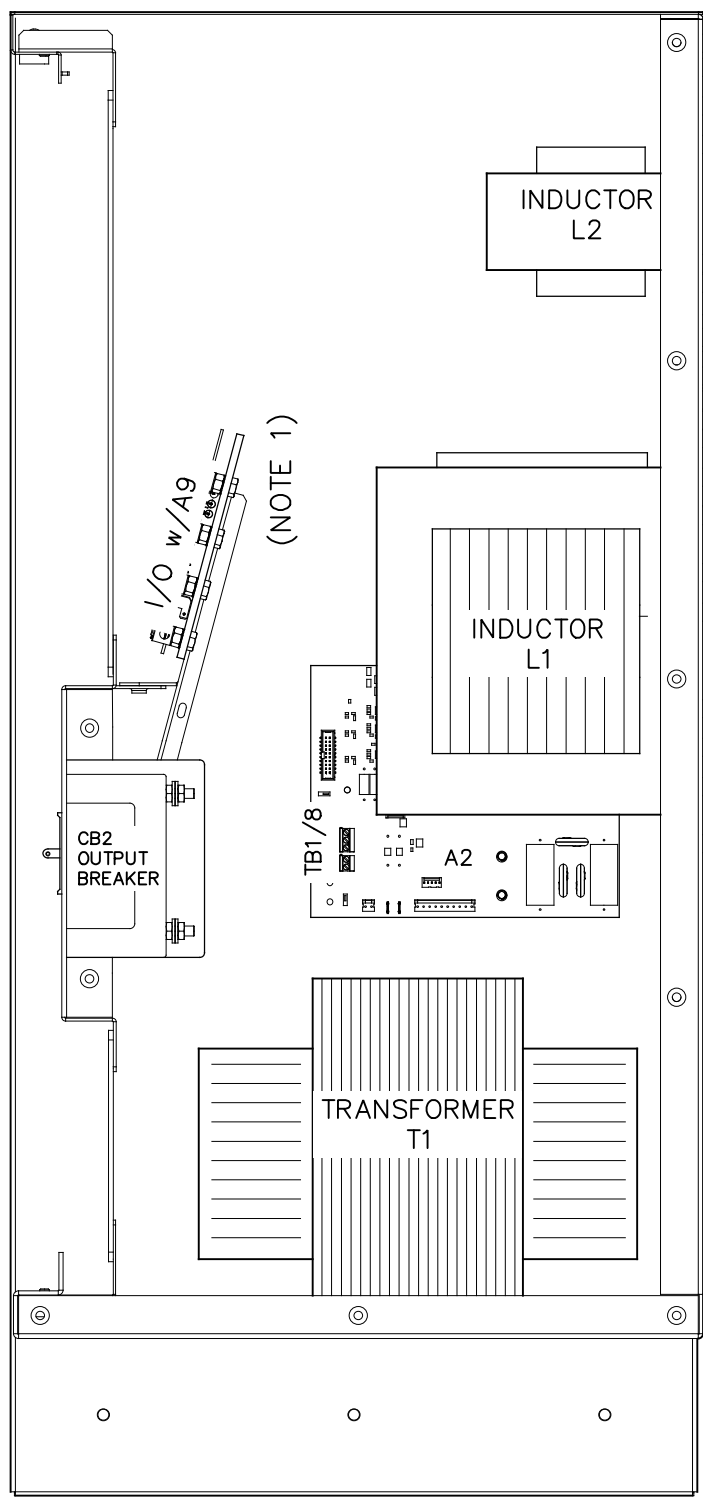
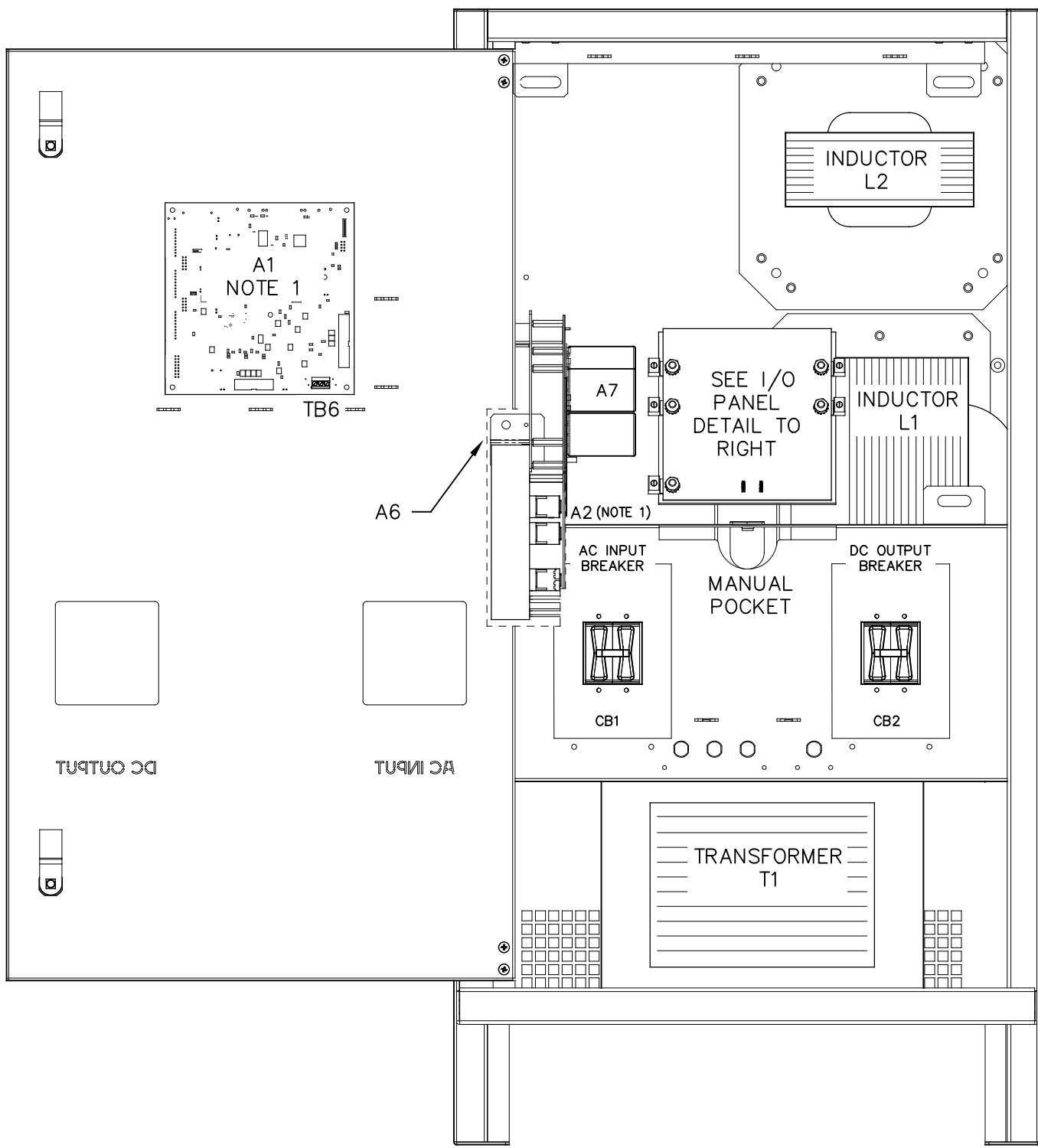
NOTES:

- ENCLOSURE IS A NEMA TYPE 1 / IP20 TOP-VENTED STEEL CABINET WITHOUT GASKETS. FINISH IS ANSI-61 GRAY EPOXY POWDERCOAT. MOUNTING BASE IS 12 GA. SIDE PANELS ARE 14 GA. TOP PANEL AND DOOR ARE 16 GA.
- ALLOW 6in / 152mm OF FREE AIR ON ALL VENTED SURFACES (TOP, SIDES & REAR) FOR COOLING.
- DATA NAMEPLATE DECAL (WITH CHARGER RATINGS) APPLIED TO DOOR.
- FOUR (4) 0.5in / 12mm FLOOR-MOUNTING HOLES AND FOUR (4) 1in x 0.625in / 25mm x 16mm FLOOR-MOUNTING SLOTS ARE PROVIDED ON BOTTOM OF ENCLOSURE AS SHOWN.
- FOUR (4) 1.31in / 33mm DIA STANDARD PRE-FAB KEY-SLOT KNOCKOUTS ARE PROVIDED AS SHOWN FOR 1in / 25mm CONDUIT ENTRY. IF ADDITIONAL CONDUIT ENTRANCES ARE REQUIRED, ENCLOSURE SHOULD BE FIELD-MODIFIED BY INSTALLER.
- BATTERY CHARGER SHIPPING WEIGHT: SEE PRODUCT LITERATURE.

DUAL DIMENSIONS in [mm]

REV. DRN BY D KJB	CHK BY MCR	APP BY MCR	DATE 10/29/2021	DRN BY KJB	DATE 10/29/2021	TITLE ATEVO BATTERY CHARGER OUTLINE: NEMA-1 STYLE-5070 ENCL 1Ø W/O OPTIONS 30-50A
DESCRIPTION STANDARD DRAWINGS.				CHK BY MCR	DATE 10/29/2021	
ECN NO. N/A				APP BY MCR	DATE 10/29/2021	
					B SCALE NTS	DWG No JE5309-03
						REV D SHEET 1 OF 1

SYM	STANDARD COMPONENT DESCRIPTION
A1	MAIN CONTROL PC BOARD
A2	POWER BOARD
A6	RECTIFIER ASSEMBLY
A9	MOV PC BOARD
A7	FILTER BOARD (C1x/R9x)
CB1	AC INPUT CIRCUIT BREAKER (CD2)
CB2	DC OUTPUT CIRCUIT BREAKER (CD2)
AUXCB2	DC CKT BKR (CB2) AUXILIARY CONTACTS
L1	MAIN INDUCTOR
L2	FILTER INDUCTOR
T1	POWER TRANSFORMER

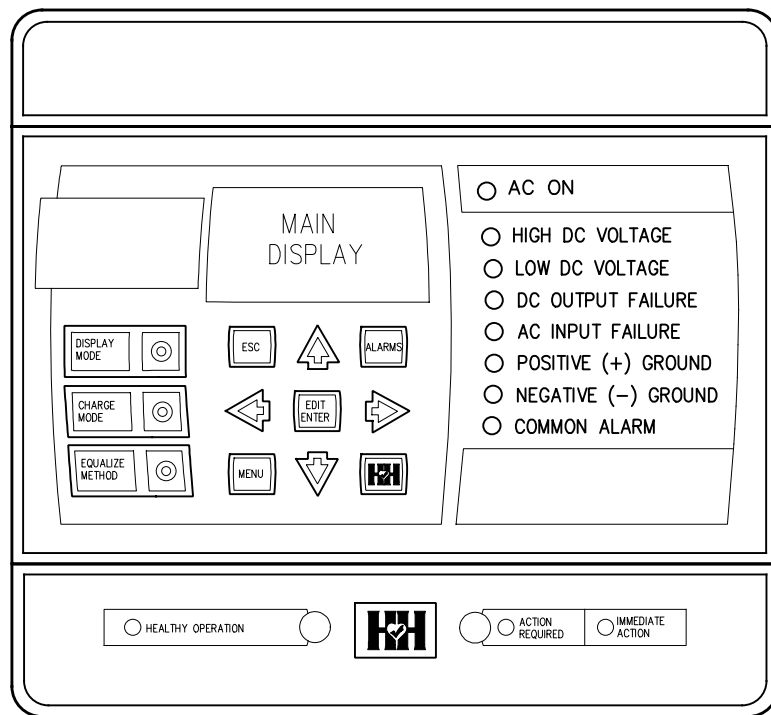


I/O TERMINAL	DESCRIPTION - TYPE	CONNECTION
I/O (+/-)	POS/NEG OUTPUT TERMINALS - CU-ALUMINUM COMPRESSION LUG	#14-1/0 AWG
GND LUG	USER GROUND TERMINAL - CU-ALUMINUM COMPRESSION LUG	#14-1/0 AWG
I/O (L1/L2)	AC INPUT TERMINALS - CU-ALUMINUM COMPRESSION LUG	#14-1/0 AWG
(A2) TB1	POS/NEG REMOTE SENSE TERMS (A2) - SOLDERLESS COMP SCREW	#22-14 AWG
(A2) TB8	TEMPCO PROBE (A10) TERMINAL BLOCK - SOLDERLESS COMPRESSION SCREW	#22-14 AWG
(A1) TB6	SUMMARY ALARM TERMINAL BLOCK (A1) - SOLDERLESS COMPRESSION SCREW	#22-14 AWG

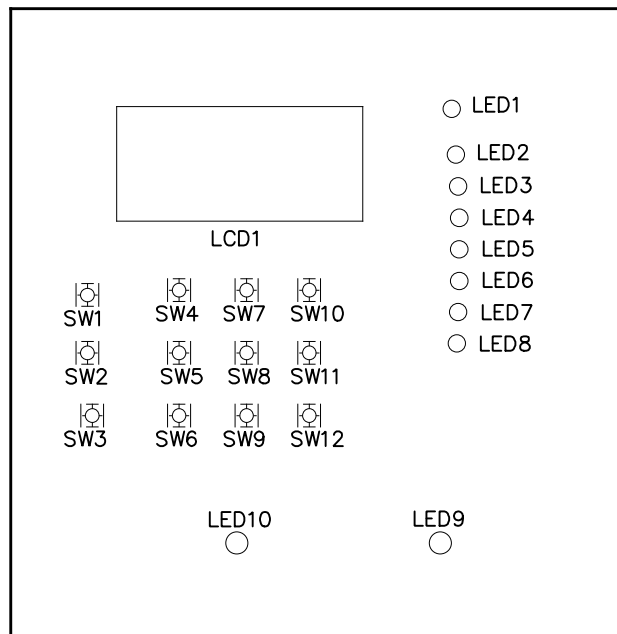
NOTES:
 1. FOR DETAIL VIEWS OF ALL PC BOARDS (A1, A2, etc.) SEE DRAWING JE5313 - 03.

REV. DRN BY D KJB	CHK BY MCR	APP BY MCR	DATE 10/29/2021	DRN BY KJB	DATE 10/29/2021
DESCRIPTION STANDARD DRAWINGS.				CHK BY MCR	DATE 10/29/2021
ECN NO. N/A				APP BY MCR	DATE 10/29/2021

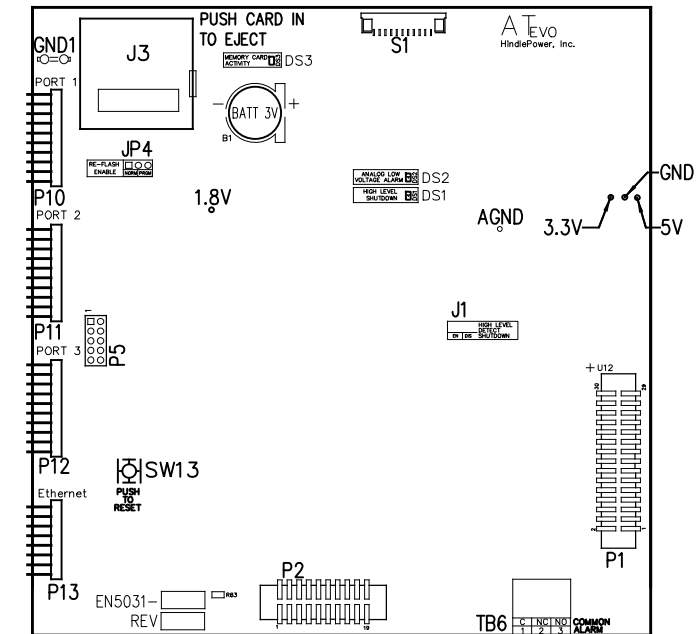
TITLE ATEVO BATTERY CHARGER INTERNAL COMPONENT LAYOUT: STYLE-5070 1Ø W/O OPTIONS 30-50A				
B	SCALE NTS	DWG No JE5310-03	REV D	SHEET 1 OF 1



CONTROL PANEL
(PART No. FK5047-00)



MAIN CONTROL PC BOARD (A1)
FRONT VIEW - FACING CHARGER DOOR WHEN INSTALLED



MAIN CONTROL PC BOARD (A1)
BACK VIEW - FACING CHARGER COMPONENTS WHEN INSTALLED

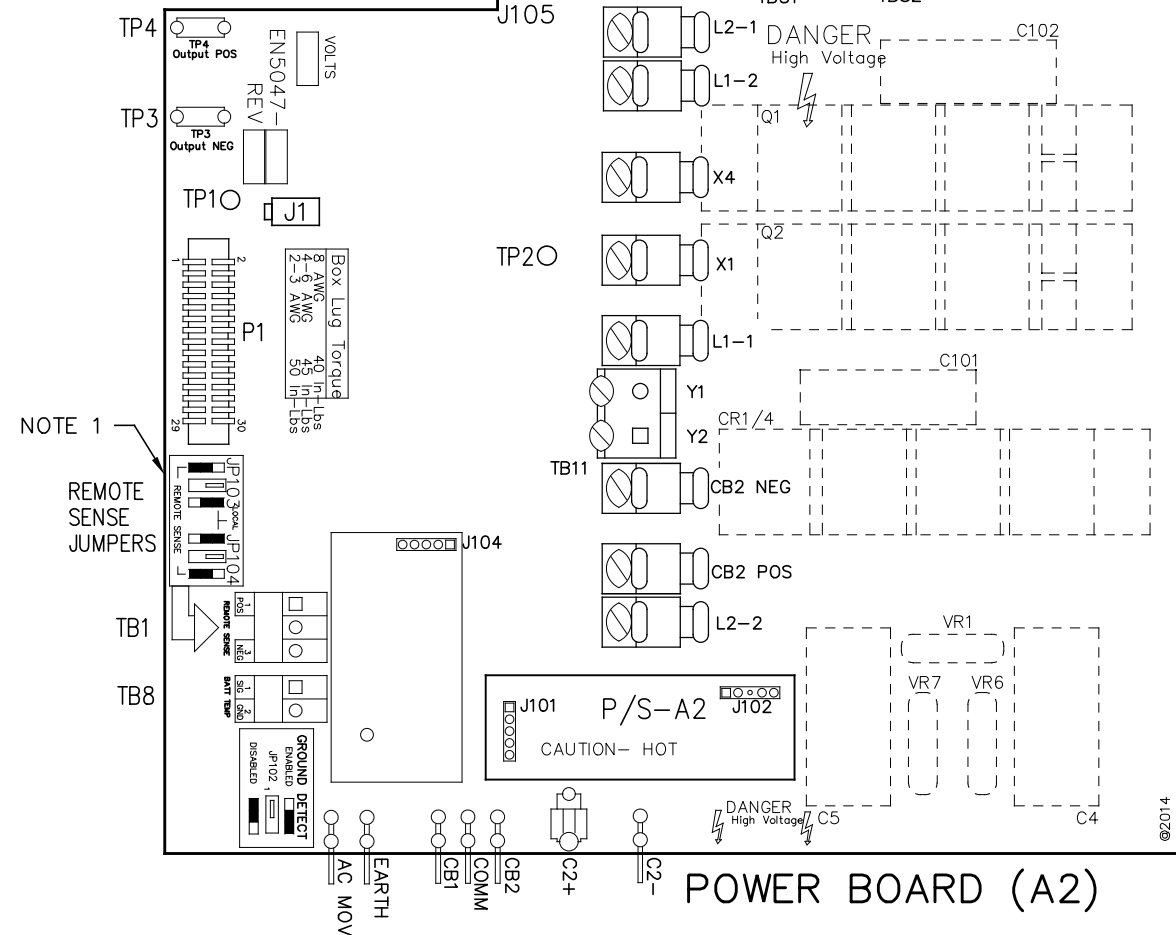
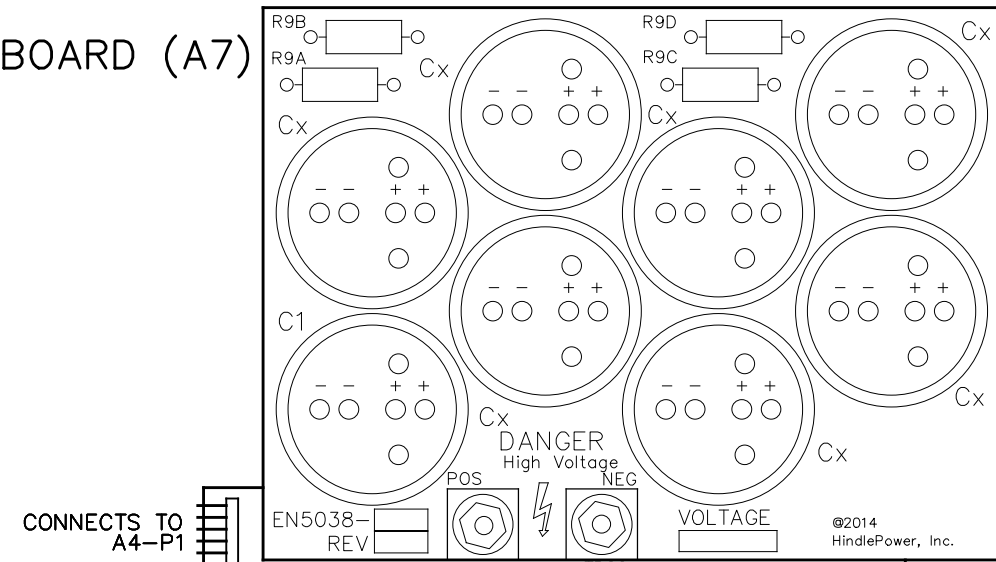
NOTE: ALL ALARM CONTACTS ARE ENERGIZED WHEN IN THE NON-ALARM STATE (FAIL SAFE). ALL ALARM CONTACTS WILL CHANGE STATE WHEN CHARGER IS POWERED DOWN. CONTACT RATING IS 0.5A @ 125VAC/VDC RESISTIVE.

I/O TERMINAL	DESCRIPTION - TYPE	CONNECTION
(A1) TB6	SUMMARY ALARM TERMINAL BLOCK (A1) - SOLDERLESS COMP SCREW	#22-14 AWG

MAIN CONTROL PC BOARD (A1)			
INDICATOR LIGHTS (LEDs):	JUMPERS:	SWITCHES:	CONNECTORS:
LED1 - GREEN - AC ON	J1 - ANALOG HIGH VOLTAGE SHUTDOWN JUMPER	S1 - DISPLAY BUTTON	P1 - POWER BOARD RIBBON
LED2 - RED - HIGH DC VOLTAGE ALARM	J3 - SD CARD PORT	S2 - CHARGE MODE BUTTON	P2 - 3 PHASE RECTIFIER RIBBON
LED3 - RED - LOW DC VOLTAGE ALARM	J4 - RE-FLASH (FIELD PROGRAMMING) JUMPER	S3 - EQUALIZE METHOD BUTTON	P3 - USB EXPANSION PORT
LED4 - RED - DC OUTPUT FAILURE ALARM	TERMINAL BLOCKS:	S4 - ESCAPE (ESC) BUTTON	P4 - SPI & I2C EXPANSION PORT #1
LED5 - RED - AC INPUT FAILURE ALARM	TB6 - COMMON ALARM RELAY CONTACTS	S5 - LEFT ARROW BUTTON	P5 - SPI & I2C EXPANSION PORT #2
LED6 - RED - POSITIVE (+) GROUND ALARM	TEST POINTS:	S6 - MENU BUTTON	P6 - DISPLAY SPI PORT
LED7 - RED - NEGATIVE (-) GROUND ALARM	1.8V - 1.8 VOLTS	S7 - UP ARROW BUTTON	P7 - DISPLAY JTAG PORTS
LED8 - RED - COMMON ALARM	3.3V - 3.3 VOLTS	S8 - EDIT / ENTER BUTTON	P10 - SERIAL INTERFACE PORT #1
LED9 - RED - ACTION REQUIRED ALARM	5V - 5.0 VOLTS	S9 - DOWN ARROW BUTTON	P11 - SERIAL INTERFACE PORT #2
LED10 - GREEN - HEALTHY OPERATION	GND - GROUND	S10 - ALARM BUTTON	P12 - SERIAL INTERFACE PORT #3
DS1 - RED - HIGH LEVEL SHUTDOWN (HLD)	AGND - ANALOG GROUND	S11 - RIGHT ARROW BUTTON	P13 - ETHERNET INTERFACE PORT
DS2 - RED - ANALOG LOW VOLTAGE ALARM (LLD)	SDA - MAIN BOARD I2C DATA	S12 - HINDLE HEALTH (HHS) BUTTON	P17 - GENERAL EXPANSION PORT
DS3 - RED - MEMORY CARD ACTIVITY	SCL - MAIN BOARD I2C CLOCK	SW13 - SYSTEM RESET BUTTON (BACK OF BOARD)	

REV. D	DRN BY KJB	CHK BY MCR	APP BY MCR	DATE 10/29/2021	DRN BY KJB	DATE: 10/29/2021	TITLE ATEVO BATTERY CHARGER CONTROL PANEL / PC BOARD DETAIL 1Ø W/O OPTIONS 30-50A	B SCALE NTS DWG No JE5313-03	REV D	SHEET 1 OF 2
DESCRIPTION: STANDARD DRAWINGS.					CHK BY MCR	DATE: 10/29/2021				
ECN NO. N/A					APP BY MCR	DATE: 10/29/2021				

FILTER BOARD (A7)

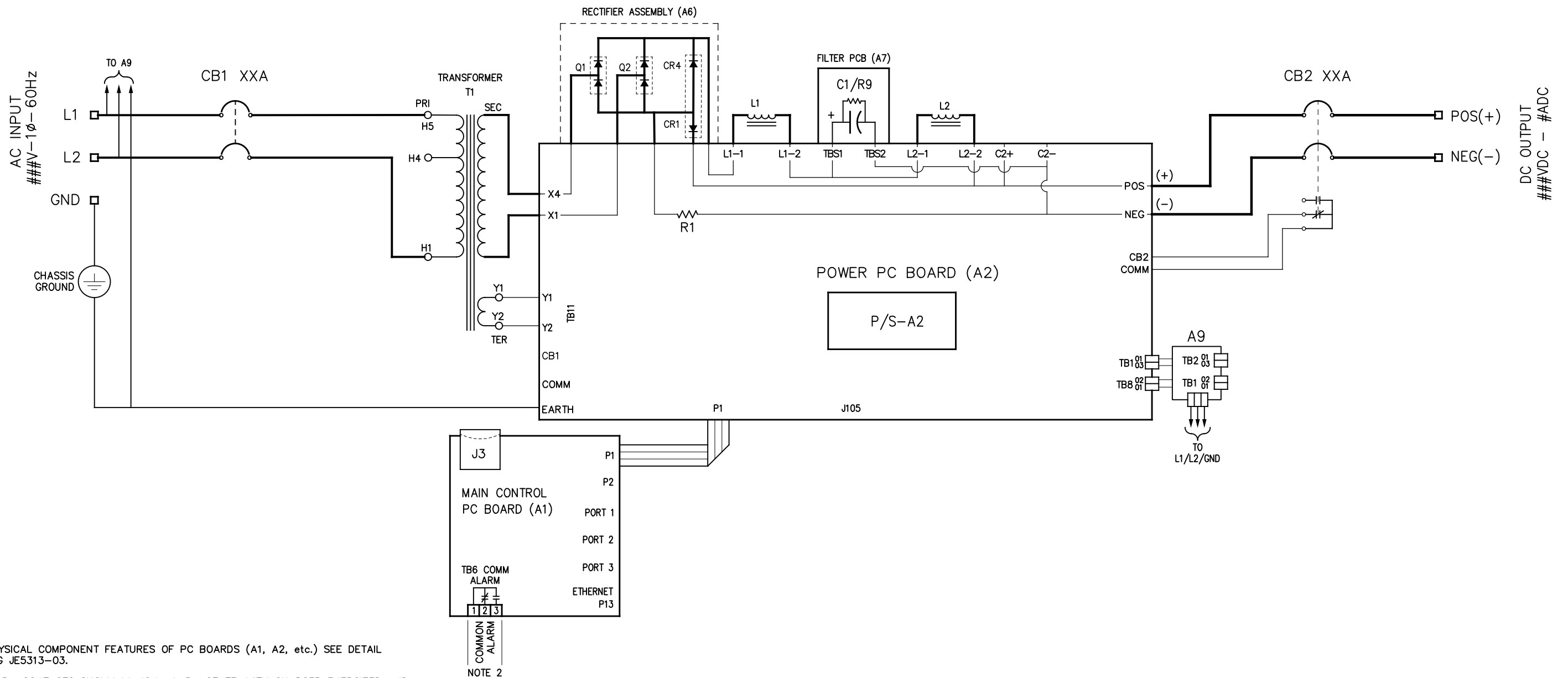


- USER TERMINALS ON POWER BOARD (A2):**
 TB1 - REMOTE VOLTAGE SENSE
 TB8 - BATTERY TEMPERATURE COMPENSATION
 TB11 - 'Y' CONTROL WINDINGS
- JUMPERS ON POWER BOARD (A2):**
 JP102 - GROUND DETECT CIRCUIT ENABLE / DISABLE
 JP103 - REMOTE OR LOCAL SENSE SELECTOR (+)
 JP104 - REMOTE OR LOCAL SENSE SELECTOR (-)
- CONNECTORS ON POWER BOARD (A2):**
 J1 - POWER OUT
 J101 - DC POWER SUPPLY
 J102 - DC POWER SUPPLY
 J105 - AUXILIARY I/O BOARD
 P1 - MAIN CONTROL BOARD RIBBON
- DISCRETE TERMINALS:**
 AC MOV - CHASSIS EARTH GROUND
 EARTH - CHASSIS EARTH GROUND (DOOR)
 CB1 - AC BREAKER AUX SWITCH CONTACT
 CB2 - DC BREAKER AUX SWITCH CONTACT
 CB2 POS - DCBREAKER POSITIVE
 CB2 NEG - DC BREAKER NEGATIVE
 COMM - BREAKER AUX SWITCH COMMON
 C2+ - ELIMINATOR FILTER CAPACITOR (+)
 C2 - ELIMINATOR FILTER CAPACITOR (-)
 X1 - TRANSFORMER SECONDARY WINDING
 X4 - TRANSFORMER SECONDARY WINDING
 L1-1 - FILTER INDUCTOR #1 (TERMINAL #1)
 L1-2 - FILTER INDUCTOR #1 (TERMINAL #2)
 L2-1 - FILTER INDUCTOR #2 (TERMINAL #1)
 L2-2 - FILTER INDUCTOR #2 (TERMINAL #2)
 TBS1 - FILTER CAPACITOR BOARD (+)
 TBS2 - FILTER CAPACITOR BOARD (-)
- TEST POINTS ON POWER BOARD (A2):**
 TP1 - PRE-FILTERED DC BUS (-)
 TP2 - PRE-FILTERED DC BUS (+)
 TP3 - DC BUS (-)
 TP4 - DC BUS (+)

NOTE:
 1. REMOTE SENSE JUMPERS (JP103, JP104) MUST BE IN REMOTE SENSE POSITION IN STYLE-5070 ENCLOSURE.

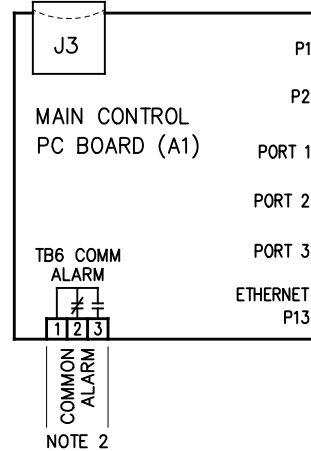
I/O TERMINAL	DESCRIPTION - TYPE	CONNECTION
(A2) TB1	POS/NEG REMOTE SENSE TERMS (A2) - SOLDERLESS COMP SCREW	#22-14 AWG
(A2) TB8	TEMPCO PROBE (A10) TERM BLK - SOLDERLESS COMP SCREW	#22-14 AWG

REV. DRN BY D KJB	CHK BY MCR	APP BY MCR	DATE 10/29/2021	DRN BY KJB	DATE 10/29/2021
DESCRIPTION STANDARD DRAWINGS.				CHK BY MCR	DATE 10/29/2021
ECN NO. N/A				APP BY MCR	DATE 10/29/2021
				TITLE ATEVO BATTERY CHARGER CONTROL PANEL / PC BOARD DETAIL 1Ø W/O OPTIONS 30-50A	
				SCALE B NTS	DWG No JE5313-03
				REV E	SHEET 2 OF 2

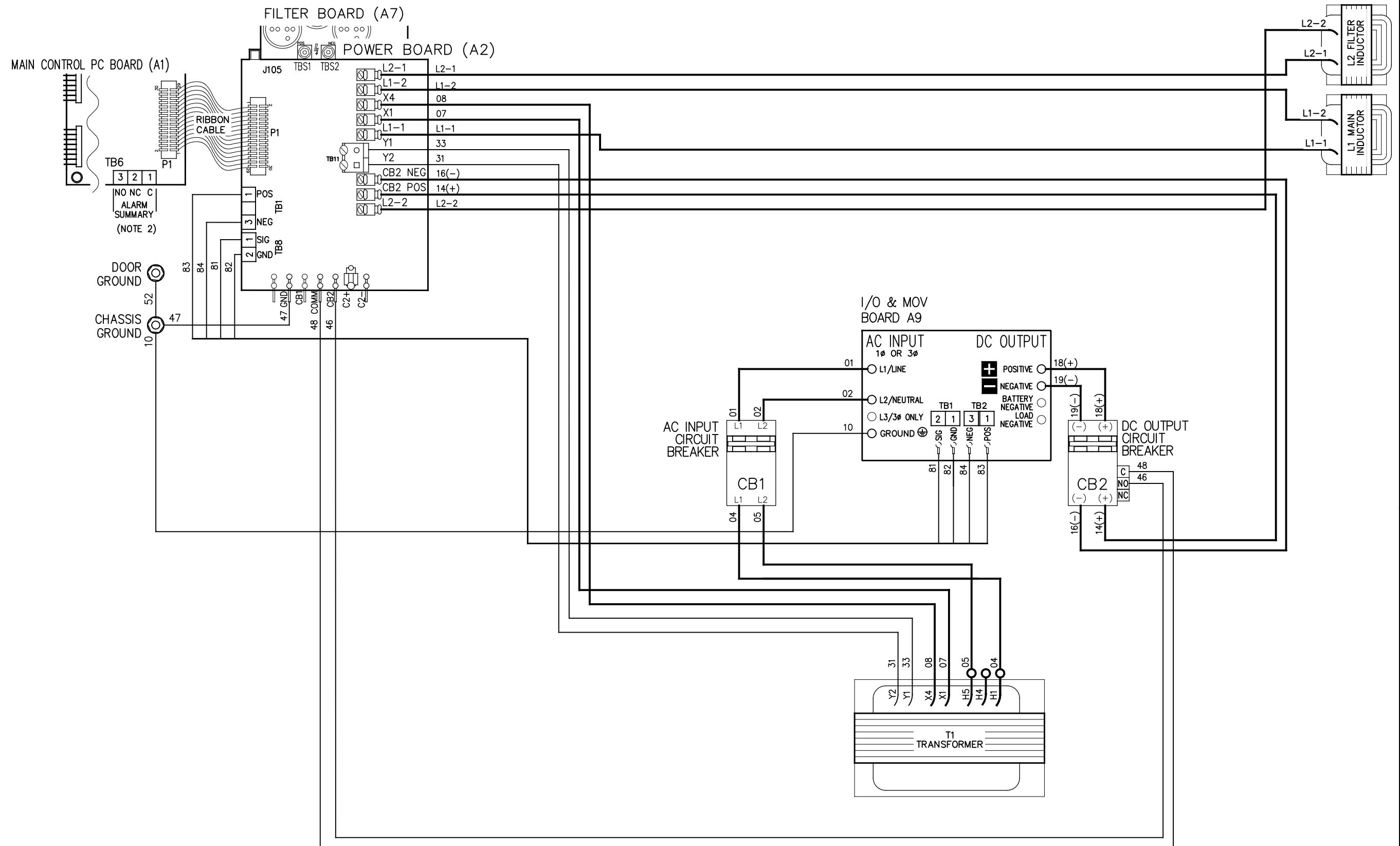


NOTES:

1. FOR PHYSICAL COMPONENT FEATURES OF PC BOARDS (A1, A2, etc.) SEE DETAIL DRAWING JE5313-03.
2. ALL ALARM CONTACTS SHOWN IN NON-ALARM STATE, WITH CHARGER ENERGIZED AND ALARM RELAYS ENERGIZED (FAIL SAFE). ALL ALARM CONTACTS WILL CHANGE STATE WHEN CHARGER IS POWERED DOWN. CONTACT RATING IS: 0.5A @ 125VAC/VDC RESISTIVE.



REV. DRN BY	CHK BY	APP BY	DATE	DRN BY	DATE:	TITLE ATEVO BATTERY CHARGER SCHEMATIC: STYLE 5070 1Ø W/O OPTIONS 30-50A	
D	KJB	MCR	MCR	10/29/2021	KJB		10/29/2021
DESCRIPTION STANDARD DRAWINGS.				CHK BY	DATE:		
ECN NO. N/A				MCR	10/29/2021		
				APP BY	DATE:		
				MCR	10/29/2021		
						TITLE	
				B SCALE DWG No NTS JE5311-03		REV SHEET D 1 OF 1	



NOTES:

1. WHEN NATURAL LEADS OF MAGNETICS ARE NOT USED, CHARGER COMPONENTS ARE CONNECTED WITH BLACK FLAME-RETARDANT SWITCHBOARD INSULATION SYSTEM (SIS) TYPE WIRING, IDENTIFIED ON EACH END WITH NUMBER-CODED MARKERS. GROUND WIRES ARE GREEN WITH YELLOW STRIPE.
2. STANDARD USER ALARM CONTACTS (TB6 [A1], TB1[A2], TB8[A2], etc.) ARE SOLDERLESS COMPRESSION SCREW TERMINALS, ACCEPTING #22-14 AWG WIRE.

REV. D	DRN BY KJB	CHK BY MCR	APP BY MCR	DATE 10/29/2021	DRN BY KJB	DATE: 10/29/2021	ATEVO BATTERY CHARGER CONNECTION DIAGRAM: STYLE 5070 1Ø W/O OPTIONS 30-50A
DESCRIPTION STANDARD DRAWINGS.					CHK BY MCR	DATE: 10/29/2021	
ECN NO. N/A					APP BY MCR	DATE: 10/29/2021	
					TITLE		
							B SCALE NTS DWG No JE5312-03
					REV D	SHEET 1 OF 1	