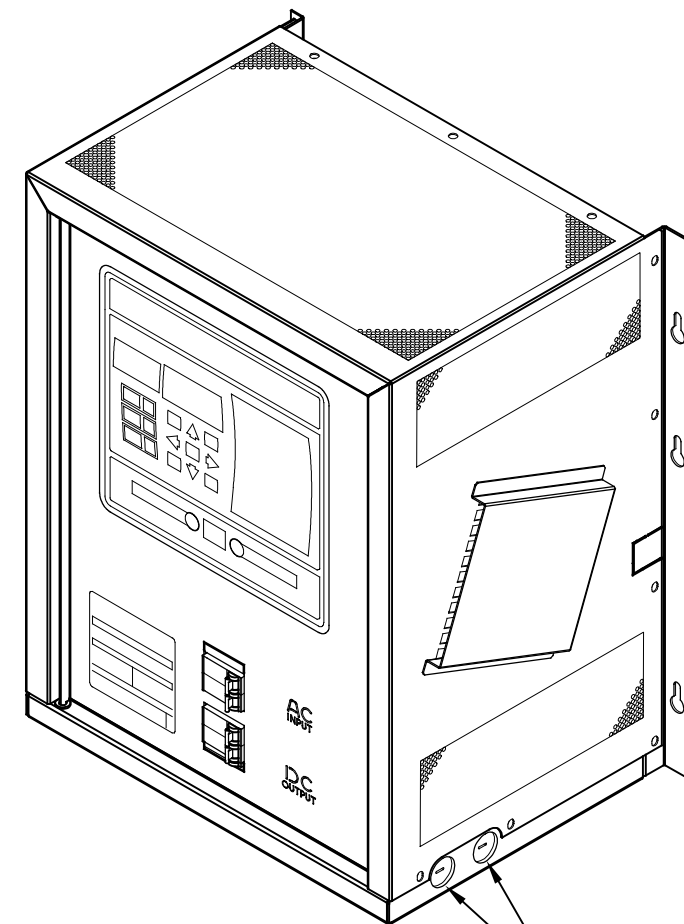
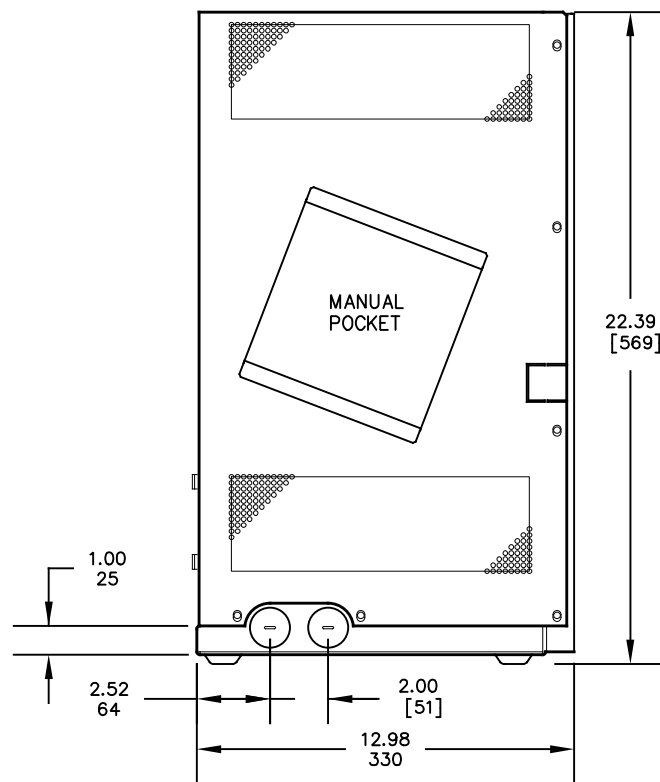
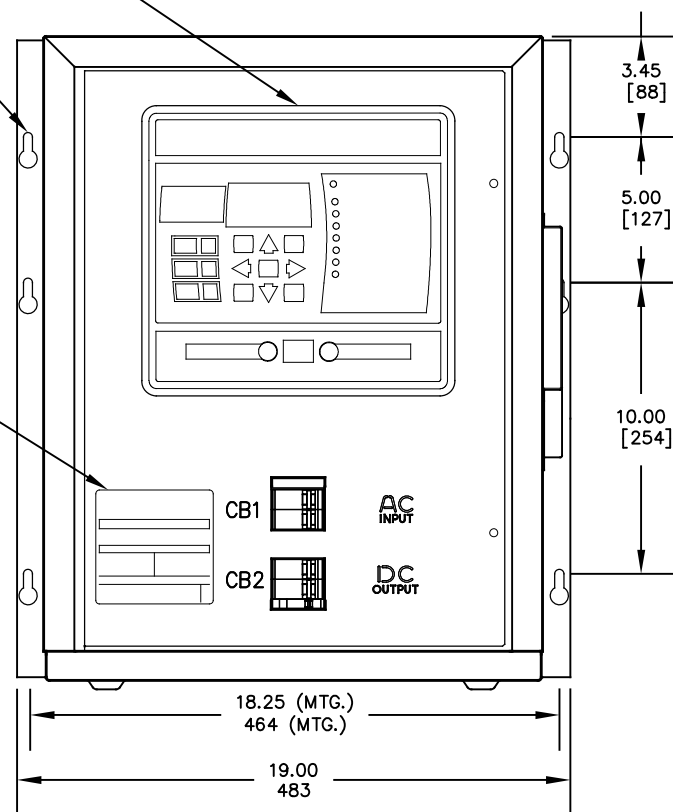


SEE DRAWING  
JE5253-01

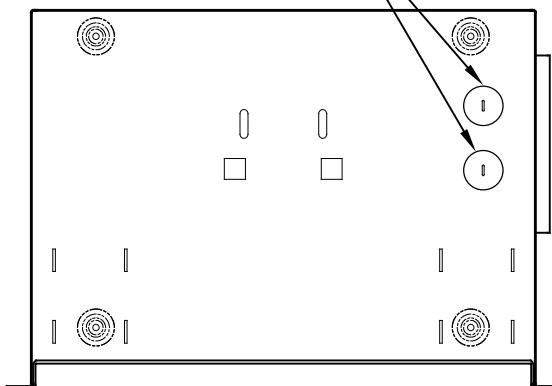
NOTE 3

NOTE 5



NOTE 4

NOTE 4



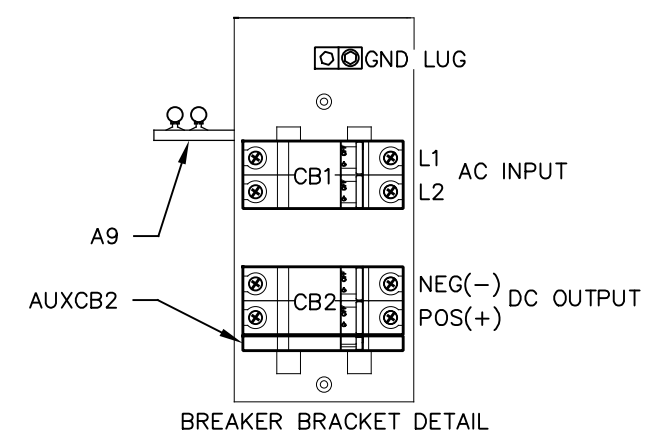
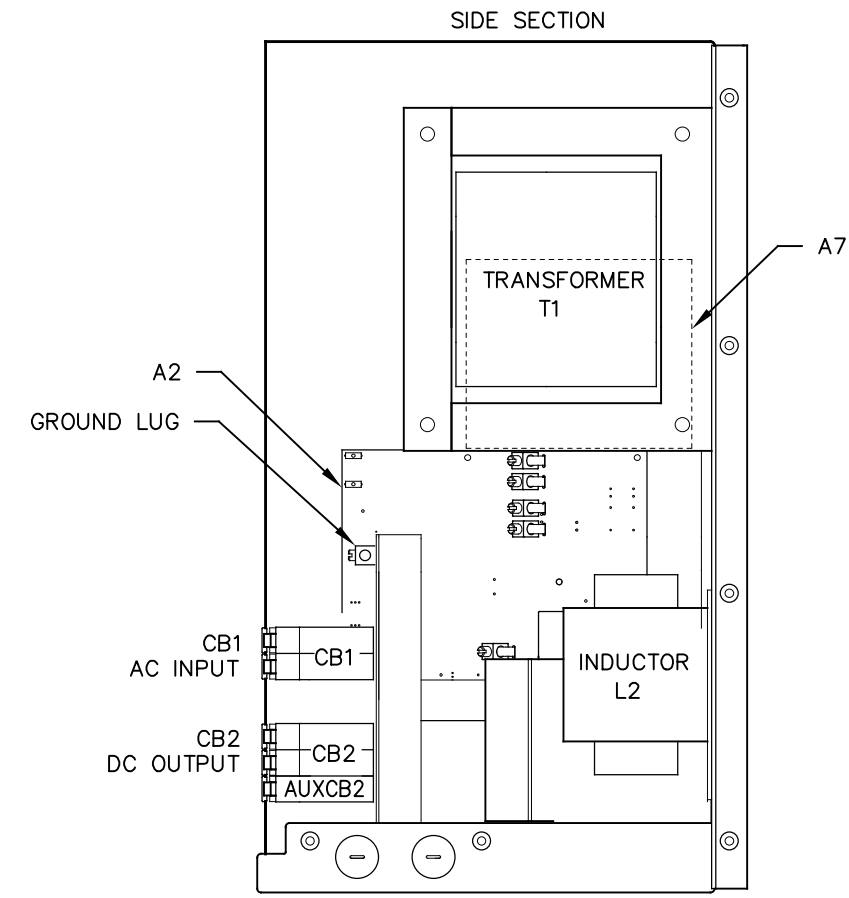
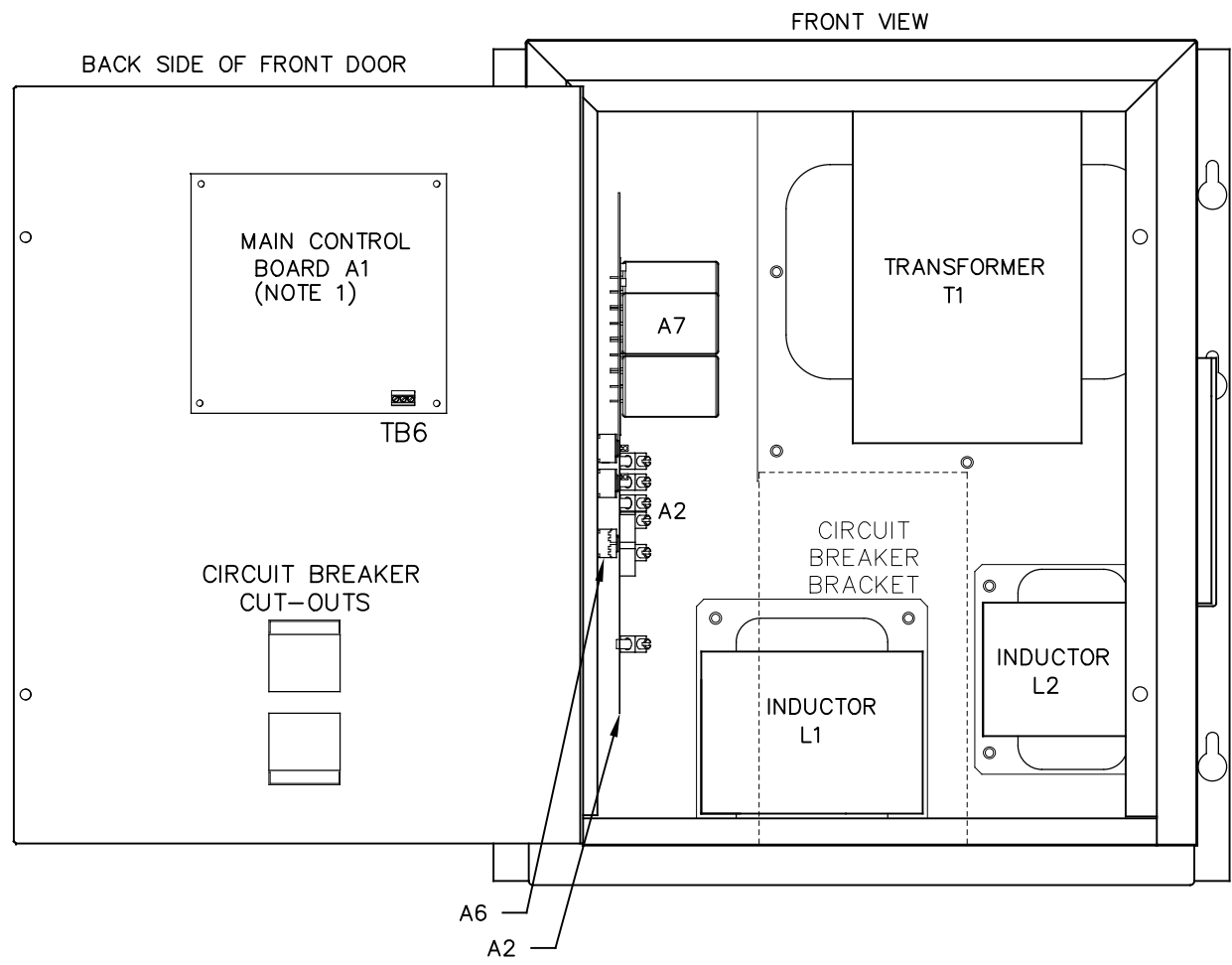
NOTES:

- ENCLOSURE IS A NEMA TYPE 1 / IP20 TOP-VENTED STEEL CABINET WITHOUT GASKETS. FINISH IS ANSI-61 GRAY EPOXY POWDERCOAT. BASE IS 14 GA. SHROUD IS 18 GA. DOOR IS 16 GA.
- ALLOW 6in / 152mm OF FREE AIR ON ALL VENTED SURFACES (TOP, SIDES & REAR) FOR COOLING.
- SIX (6) KEY-HOLE SLOTS ARE PROVIDED ON BACK OF ENCLOSURE AS SHOWN. FOR WALL-MOUNTING WITH 0.25in / 6.25mm HARDWARE.
- SIX (6) 1.31in / 33mm DIA KNOCKOUTS ARE PROVIDED AS SHOWN, WITH TWO (2) ADDITIONAL KNOCKOUTS FEATURED ON BOTTOM PANEL OF ENCLOSURE. USE OF ANY OF THESE FOUR (4) LOWER CONDUIT KNOCKOUTS WILL ALLOW REMOVAL OF CABINET SHROUD WITHOUT REMOVAL OF EXTERNAL WIRING.
- DATA NAMEPLATE DECAL (WITH CHARGER RATINGS) APPLIED TO DOOR.
- BATTERY CHARGER SHIPPING WEIGHT: SEE PRODUCT LITERATURE.

REV. A	DRN BY KJB	CHK BY MCR	APP BY MCR	DATE 2/22/2022	DRN BY KJB	DATE 1/21/2021	TITLE <b>ATEVO BATTERY CHARGER OUTLINE: NEMA-1 STYLE-5054 ENCL 1Ø W/O OPTIONS 130VAC 30-50A</b>
DESCRIPTION STANDARD DRAWINGS.					CHK BY MCR	DATE 1/21/2021	
ECN NO. N/A					APP BY MCR	DATE 1/21/2021	
PROPERTY AND CONFIDENTIAL NOTICE ANY REPRODUCTION, PARTIAL OR AS A WHOLE OF THIS DOCUMENT WITHOUT THE WRITTEN PERMISSION OF HINDLE POWER, INC IS STRICTLY PROHIBITED.							<b>B</b> SCALE NTS DWG No JE5251-06 REV A SHEET 1 OF 1

DUAL DIMENSIONS in [mm]

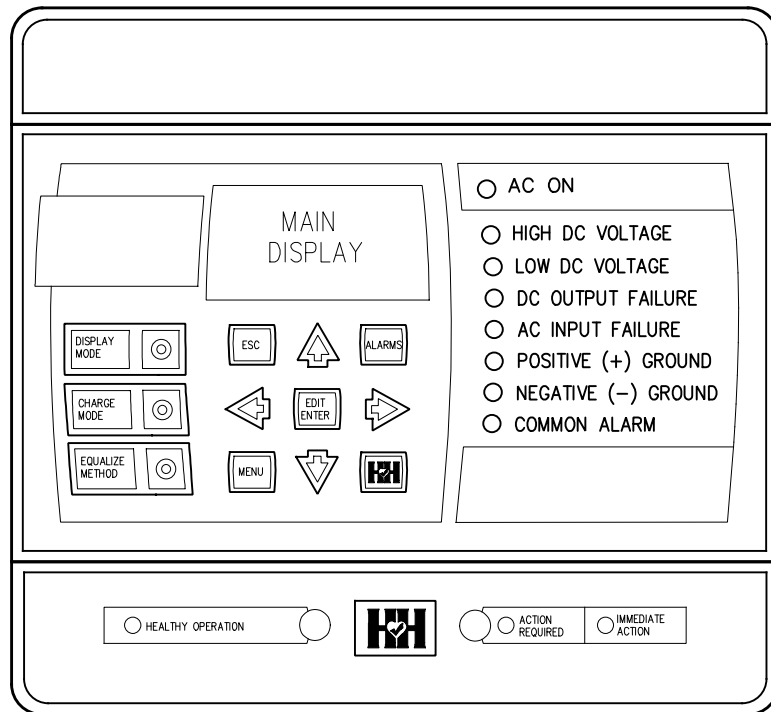
SYM	STANDARD COMPONENT DESCRIPTION
A1	MAIN CONTROL PC BOARD
A2	POWER BOARD
A6	RECTIFIER H/S ASSEMBLY
A7	FILTER BOARD (C1x/R9x)
A9	MOV BOARD
CB1	AC INPUT CIRCUIT BREAKER C60-K 2P
CB2	DC OUTPUT CIRCUIT BREAKER C60-K 2P
AUXCB2	DC CKT BKR (CB2) AUXILIARY CONTACTS
L1	MAIN INDUCTOR
L2	FILTER INDUCTOR
T1	POWER ISOLATION TRANSFORMER



NOTES:  
 1. FOR DETAIL VIEWS OF ALL PC BOARDS (A1, A2, A4 etc.) SEE DRAWING JE5253-06.

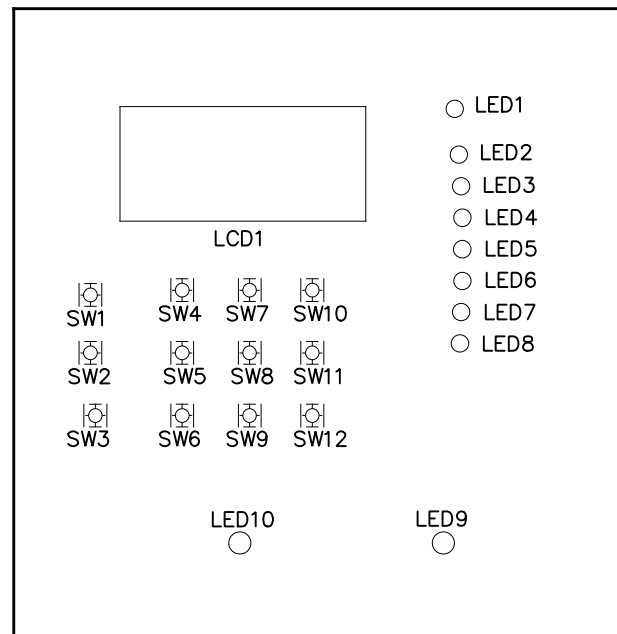
I/O TERMINAL	DESCRIPTION - TYPE	CONNECTION
CB2 (+/-)	POS/NEG DC OUTPUT TERMINALS - CKT BREAKER COMPRESSION LUG	#18-4 AWG
GND LUG	USER GROUND TERMINAL - CU-ALUMINUM COMPRESSION LUG	#14-6 AWG
CB1 (L1/L2)	AC INPUT TERMINALS - CKT BREAKER COMPRESSION LUG	#18-4 AWG
(A2) TB1	POS/NEG REMOTE SENSE TERMS (A2) - SOLDERLESS COMP SCREW	#22-14 AWG
(A2) TB8	TEMPCO PROBE (A10) TERM BLK - SOLDERLESS COMP SCREW	#22-14 AWG
(A1) TB6	SUMMARY ALARM TERMINAL BLOCK (A1) - SOLDERLESS COMP SCREW	#22-14 AWG

REV. DRN BY	CHK BY	APP BY	DATE	DRN BY	DATE:	TITLE <b>ATEVO BATTERY CHARGER INTERNAL COMPONENT LAYOUT: STYLE-5054 1Ø W/O OPTIONS 130VAC 30-50A</b>	
A	KJB	MCR	MCR	2/22/2022	KJB		1/21/2021
DESCRIPTION STANDARD DRAWINGS.			CHK BY	MCR	DATE:		1/21/2021
ECN NO. N/A			APP BY	MCR	DATE:		1/21/2021
PROPERTY AND CONFIDENTIAL NOTICE ANY REPRODUCTION, PARTIAL OR AS A WHOLE OF THIS DOCUMENT WITHOUT THE WRITTEN PERMISSION OF HINDLE POWER, INC IS STRICTLY PROHIBITED.						<b>B</b> SCALE DWG No NTS JE5252-06	
						REV A SHEET 1 OF 1	

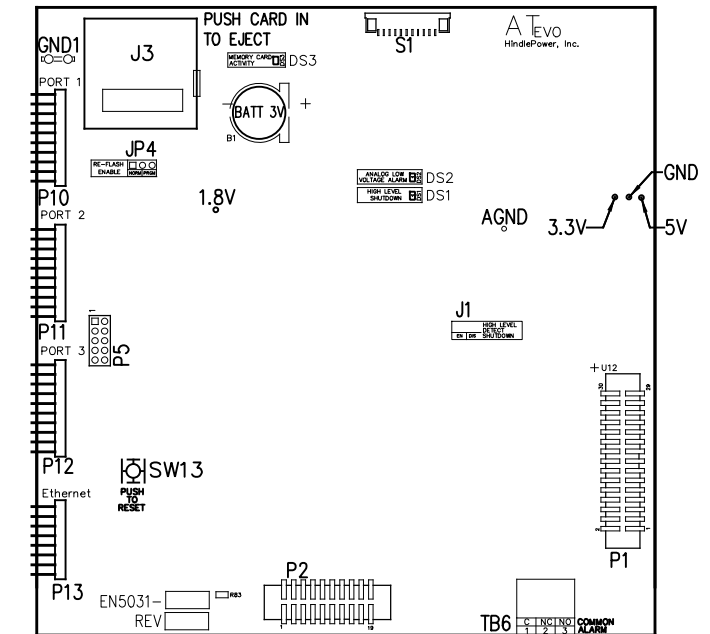


**CONTROL PANEL**  
(PART No. FK5047-00)

NOTE: ALL ALARM CONTACTS ARE ENERGIZED WHEN IN THE NON-ALARM STATE (FAIL SAFE). ALL ALARM CONTACTS WILL CHANGE STATE WHEN CHARGER IS POWERED DOWN. CONTACT RATING IS 0.5A @ 125VAC/VDC RESISTIVE.



**MAIN CONTROL PC BOARD (A1)**  
FRONT VIEW – FACING CHARGER DOOR WHEN INSTALLED



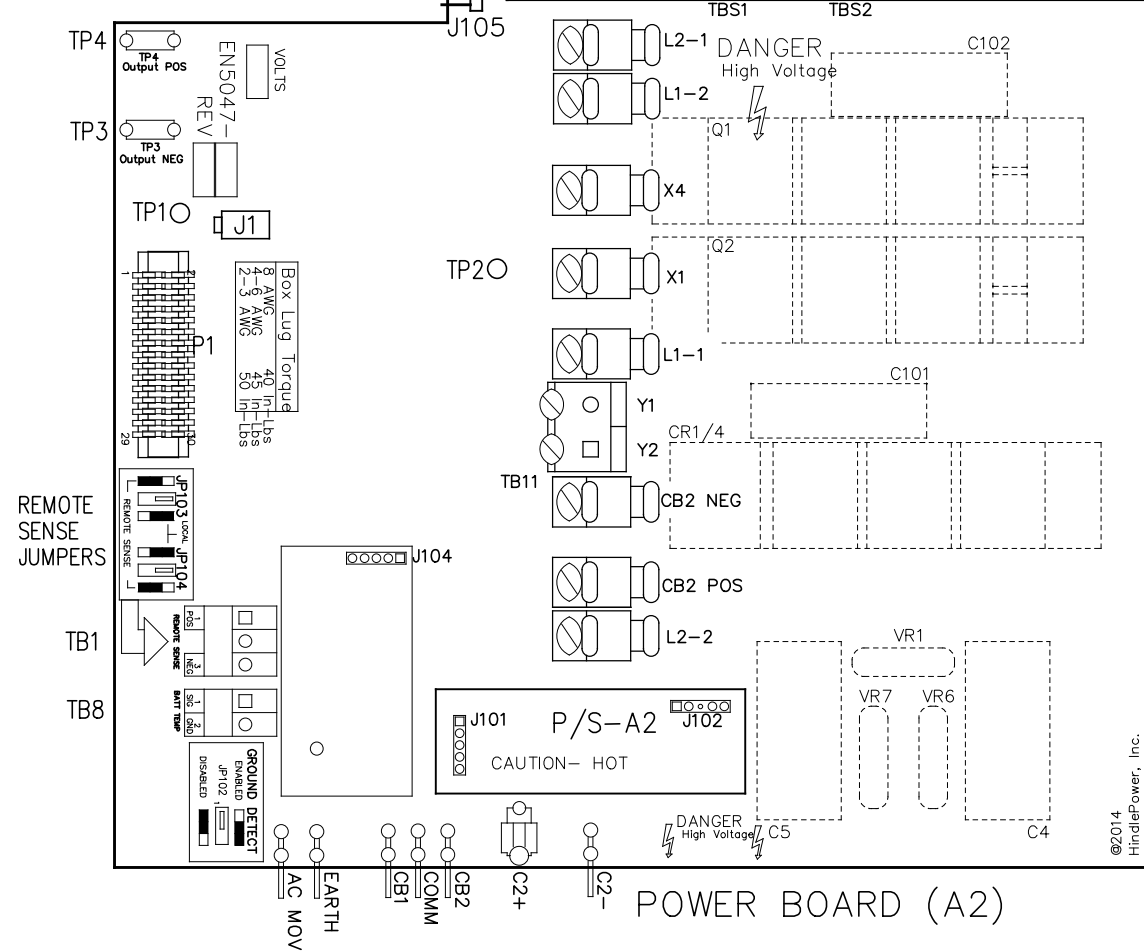
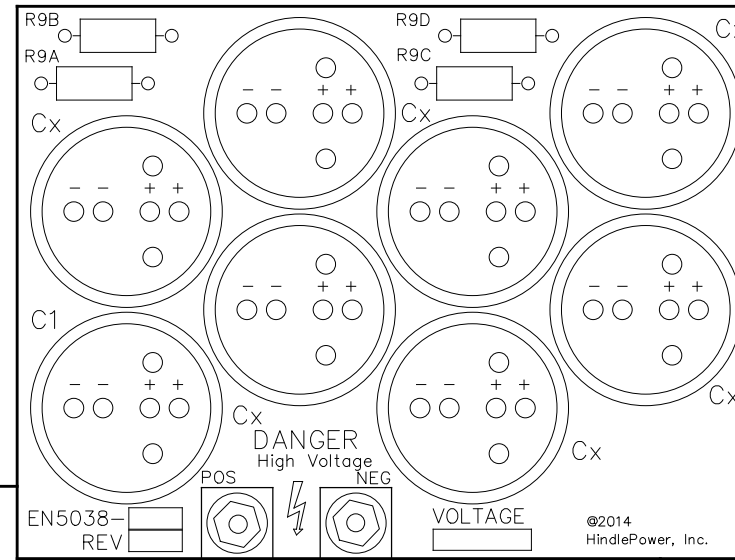
**MAIN CONTROL PC BOARD (A1)**  
BACK VIEW – FACING CHARGER COMPONENTS WHEN INSTALLED

MAIN CONTROL PC BOARD (A1)			
<b>INDICATOR LIGHTS (LEDs):</b>	<b>JUMPERS:</b>	<b>SWITCHES:</b>	<b>CONNECTORS:</b>
LED1 – GREEN – AC ON	J1 – ANALOG HIGH VOLTAGE SHUTDOWN JUMPER	S1 – DISPLAY BUTTON	P1 – POWER BOARD RIBBON
LED2 – RED – HIGH DC VOLTAGE ALARM	J3 – SD CARD PORT	S2 – CHARGE MODE BUTTON	P2 – 3 PHASE RECTIFIER RIBBON
LED3 – RED – LOW DC VOLTAGE ALARM	JP4 – RE-FLASH (FIELD PROGRAMMING) JUMPER	S3 – EQUALIZE METHOD BUTTON	P3 – USB EXPANSION PORT
LED4 – RED – DC OUTPUT FAILURE ALARM	<b>TERMINAL BLOCKS:</b>	S4 – ESCAPE (ESC) BUTTON	P4 – SPI & I2C EXPANSION PORT #1
LED5 – RED – AC INPUT FAILURE ALARM	TB6 – COMMON ALARM RELAY CONTACTS	S5 – LEFT ARROW BUTTON	P5 – SPI & I2C EXPANSION PORT #2
LED6 – RED – POSITIVE (+) GROUND ALARM	<b>TEST POINTS:</b>	S6 – MENU BUTTON	P6 – DISPLAY SPI PORT
LED7 – RED – NEGATIVE (-) GROUND ALARM	1.8V – 1.8 VOLTS	S7 – UP ARROW BUTTON	P7 – DISPLAY JTAG PORTS
LED8 – RED – COMMON ALARM	3.3V – 3.3 VOLTS	S8 – EDIT / ENTER BUTTON	P10 – SERIAL INTERFACE PORT #1
LED9 – RED – ACTION REQUIRED ALARM	5V – 5.0 VOLTS	S9 – DOWN ARROW BUTTON	P11 – SERIAL INTERFACE PORT #2
LED10 – GREEN – HEALTHY OPERATION	GND – GROUND	S10 – ALARM BUTTON	P12 – SERIAL INTERFACE PORT #3
DS1 – RED – HIGH LEVEL SHUTDOWN (HLD)	AGND – ANALOG GROUND	S11 – RIGHT ARROW BUTTON	P13 – ETHERNET INTERFACE PORT
DS2 – RED – ANALOG LOW VOLTAGE ALARM (LLD)	SDA – MAIN BOARD I2C DATA	S12 – HINDLE HEALTH (HHS) BUTTON	P17 – GENERAL EXPANSION PORT
DS3 – RED – MEMORY CARD ACTIVITY	SCL – MAIN BOARD I2C CLOCK	SW13 – SYSTEM RESET BUTTON (BACK OF BOARD)	

I/O TERMINAL	DESCRIPTION – TYPE	CONNECTION
(A1) TB6	SUMMARY ALARM TERMINAL BLOCK (A1) – SOLDERLESS COMP SCREW	#22-14 AWG

REV. DRN BY	CHK BY	APP BY	DATE	DRN BY	DATE	TITLE <b>ATEVO BATTERY CHARGER CONTROL PANEL / PC BOARD DETAIL 1Ø W/O OPTIONS 130VAC 30-50A</b>	
A	KJB	MCR	MCR	2/22/2022	KJB		1/21/2021
DESCRIPTION STANDARD DRAWINGS.				CHK BY	DATE		
ECN NO. N/A				APP BY	DATE		
PROPERTY AND CONFIDENTIAL NOTICE ANY REPRODUCTION, PARTIAL OR AS A WHOLE OF THIS DOCUMENT WITHOUT THE WRITTEN PERMISSION OF HINDLE POWER, INC IS STRICTLY PROHIBITED.						SCALE DWG No	
						<b>B</b> NTS	
						JE5253-06	
						REV A SHEET 1 OF 2	

FILTER BOARD (A7)

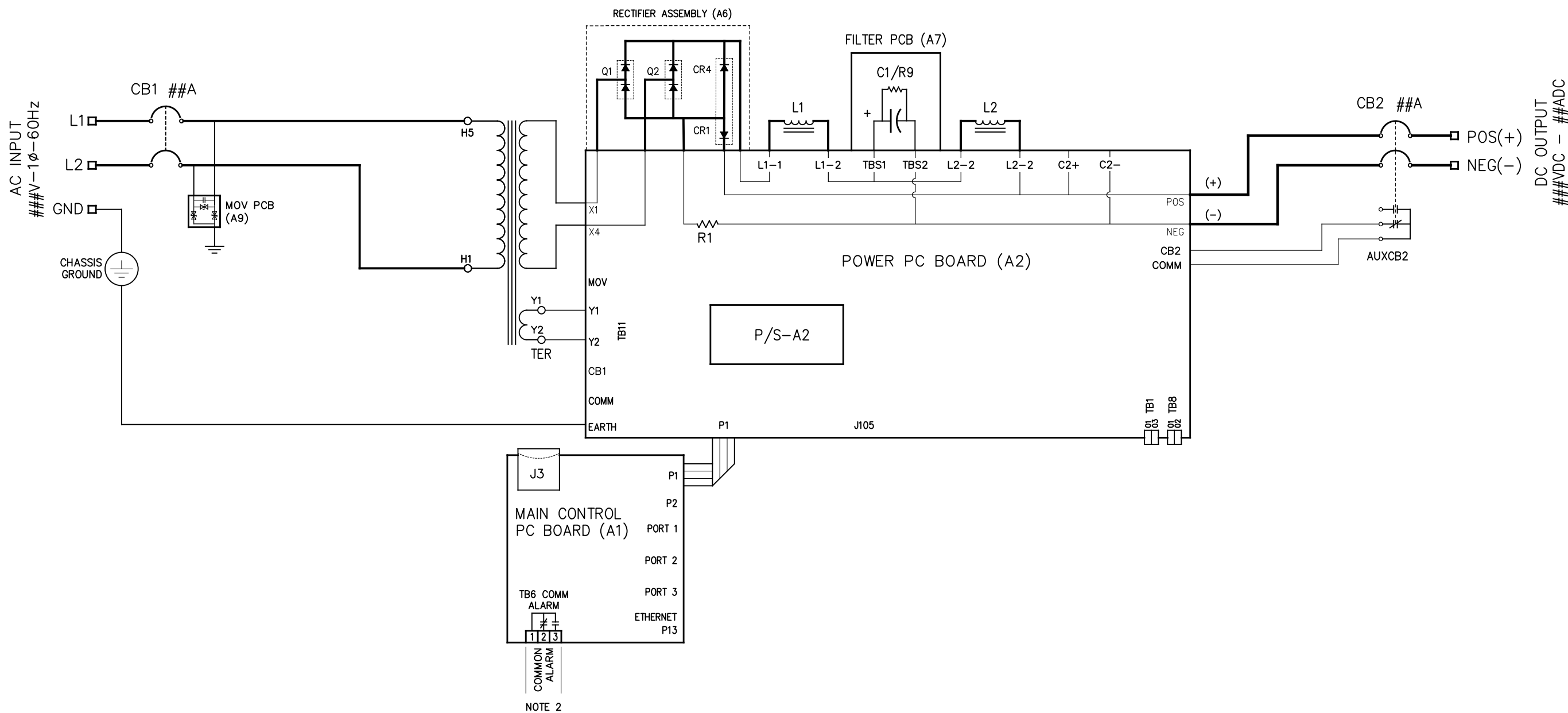


- USER TERMINALS ON POWER BOARD (A2):  
 TB1 - REMOTE VOLTAGE SENSE  
 TB8 - BATTERY TEMPERATURE COMPENSATION
- JUMPERS ON POWER BOARD (A2):  
 JP102 - GROUND DETECT CIRCUIT ENABLE / DISABLE  
 JP103 - REMOTE OR LOCAL SENSE SELECTOR (+)  
 JP104 - REMOTE OR LOCAL SENSE SELECTOR (-)
- CONNECTORS ON POWER BOARD (A2):  
 J1 - POWER OUT  
 J101 - DC POWER SUPPLY  
 J102 - DC POWER SUPPLY  
 J105 - AUXILIARY I/O BOARD  
 P1 - MAIN CONTROL BOARD RIBBON
- DISCRETE TERMINALS:  
 AC MOV - CHASSIS EARTH GROUND  
 EARTH - CHASSIS EARTH GROUND (DOOR)  
 CB1 - AC BREAKER AUX SWITCH CONTACT  
 CB2 - DC BREAKER AUX SWITCH CONTACT  
 COMM - BREAKER AUX SWITCH COMMON  
 C2+ - ELIMINATOR FILTER CAPACITOR (+)  
 C2 - ELIMINATOR FILTER CAPACITOR (-)  
 X1 - TRANSFORMER SECONDARY WINDING  
 X4 - TRANSFORMER SECONDARY WINDING  
 L1-1 - FILTER INDUCTOR #1 (TERMINAL #1)  
 L1-2 - FILTER INDUCTOR #1 (TERMINAL #2)  
 L2-1 - FILTER INDUCTOR #2 (TERMINAL #1)  
 L2-2 - FILTER INDUCTOR #2 (TERMINAL #2)  
 TB10 - CB2 DC BREAKER  
 TB11 - 'Y' CONTROL WINDINGS  
 TBS1 - FILTER CAPACITOR BOARD (+)  
 TBS2 - FILTER CAPACITOR BOARD (-)
- TEST POINTS ON POWER BOARD (A2):  
 TP1 - PRE-FILTERED DC BUS (-)  
 TP2 - PRE-FILTERED DC BUS (+)  
 TP3 - DC BUS (-)  
 TP4 - DC BUS (+)

I/O TERMINAL	DESCRIPTION - TYPE	CONNECTION
(A2) TB1	POS/NEG REMOTE SENSE TERMS (A2) - SOLDERLESS COMP SCREW	#22-14 AWG
(A2) TB8	TEMPCO PROBE (A10) TERM BLK - SOLDERLESS COMP SCREW	#22-14 AWG

TITLE  
**ATEVO BATTERY CHARGER  
 CONTROL PANEL / PC BOARD DETAIL  
 1Ø W/O OPTIONS 130VAC 30-50A**

**B** SCALE NTS DWG No **JE5253-06** REV B SHEET 2 OF 2

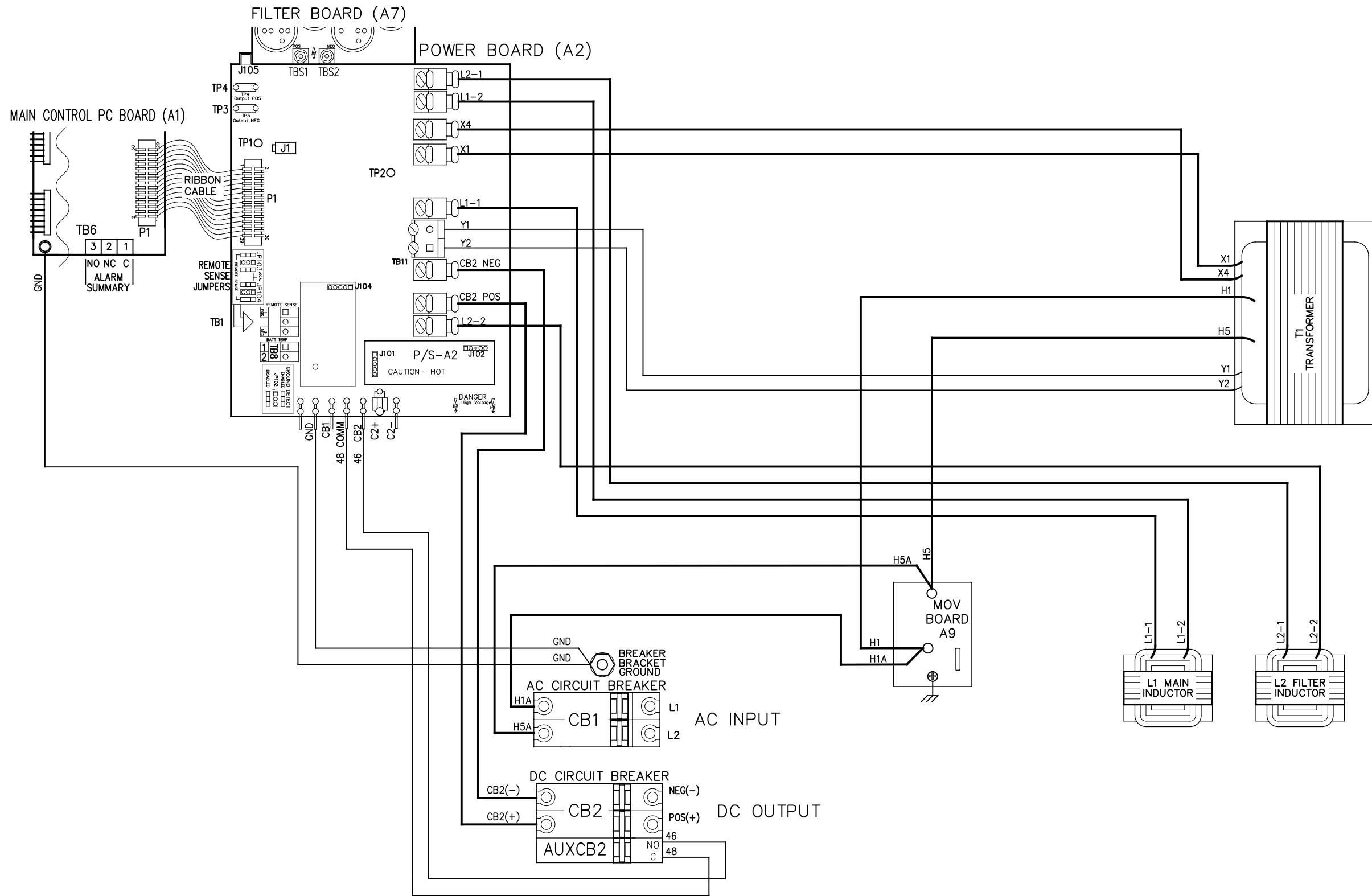


NOTES:

1. FOR PHYSICAL COMPONENT FEATURES OF PC BOARDS (A1, A2, A4, A7 etc.) SEE DETAIL DRAWING JE5253-06.
2. ALL ALARM CONTACTS SHOWN IN NON-ALARM STATE, WITH CHARGER ENERGIZED AND ALARM RELAYS ENERGIZED (FAIL SAFE). ALL ALARM CONTACTS WILL CHANGE STATE WHEN CHARGER IS POWERED DOWN. CONTACT RATING IS: 0.5A @ 125VAC/VDC RESISTIVE.

NOTE 2

REV. A	DRN BY KJB	CHK BY MCR	APP BY MCR	DATE 2/22/2022	DRN BY KJB	DATE 1/21/2021	TITLE <b>ATEVO BATTERY CHARGER SCHEMATIC: STYLE 5070 1Ø W/O OPTIONS 130VAC 30-50A</b>
DESCRIPTION STANDARD DRAWINGS.				CHK BY MCR	DATE 1/21/2021	SCALE <b>B</b>	
ECN NO. N/A				APP BY MCR	DATE 1/21/2021		
PROPERTY AND CONFIDENTIAL NOTICE ANY REPRODUCTION, PARTIAL OR AS A WHOLE OF THIS DOCUMENT WITHOUT THE WRITTEN PERMISSION OF HINDLE POWER, INC IS STRICTLY PROHIBITED.				⊕		REV A	SHEET 1 OF 1



NOTES:

1. WHEN NATURAL LEADS OF MAGNETICS ARE NOT USED, CHARGER COMPONENTS ARE CONNECTED WITH BLACK FLAME-RETARDANT SWITCHBOARD INSULATION SYSTEM (SIS) TYPE WIRING, IDENTIFIED ON EACH END WITH NUMBER-CODED MARKERS. GROUND WIRES ARE GREEN WITH YELLOW STRIPE.

REV. A	DRN BY KJB	CHK BY MCR	APP BY MCR	DATE 2/22/2022	DRN BY KJB	DATE 1/21/2021	TITLE <b>ATEVO BATTERY CHARGER CONN DIAGRAM: STYLE 5070 1Ø W/O OPTIONS 130VAC 30-50A</b>
DESCRIPTION STANDARD DRAWINGS.					CHK BY MCR	DATE 1/21/2021	
ECN NO. N/A					APP BY MCR	DATE 1/21/2021	
PROPERTY AND CONFIDENTIAL NOTICE ANY REPRODUCTION, PARTIAL OR AS A WHOLE OF THIS DOCUMENT WITHOUT THE WRITTEN PERMISSION OF HINDLE POWER, INC IS STRICTLY PROHIBITED.							<b>B</b> SCALE NTS DWG No JE5255-06 REV A SHEET 1 OF 1