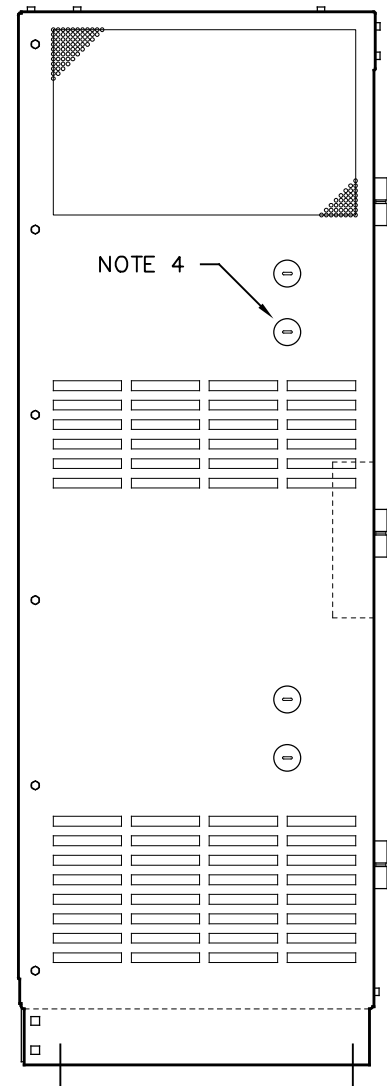
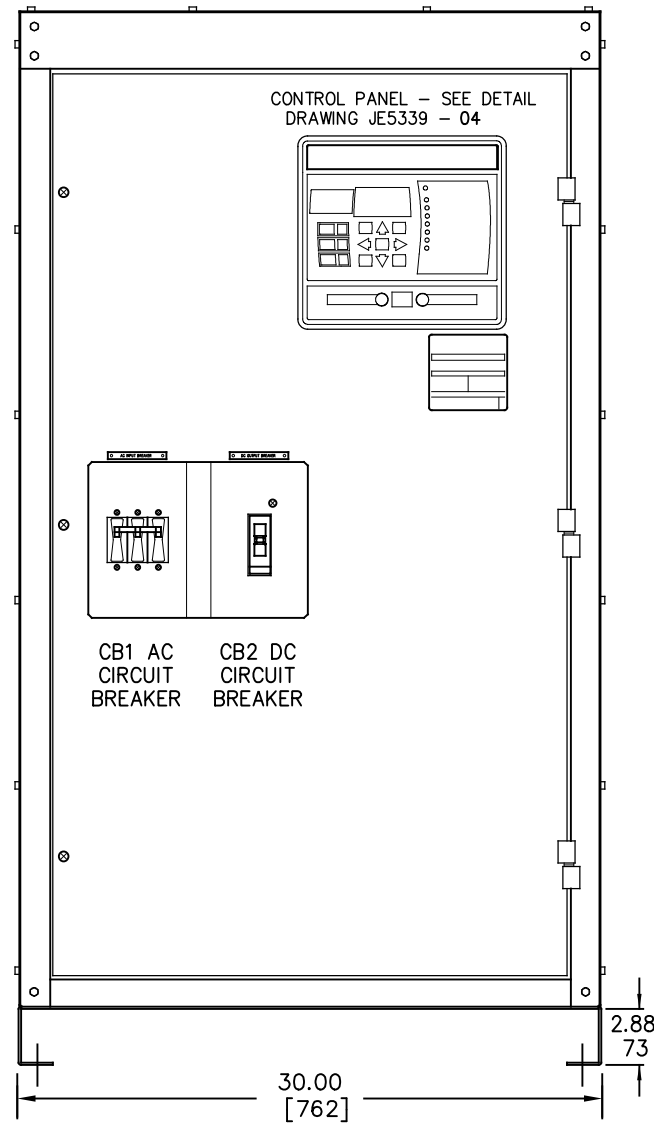


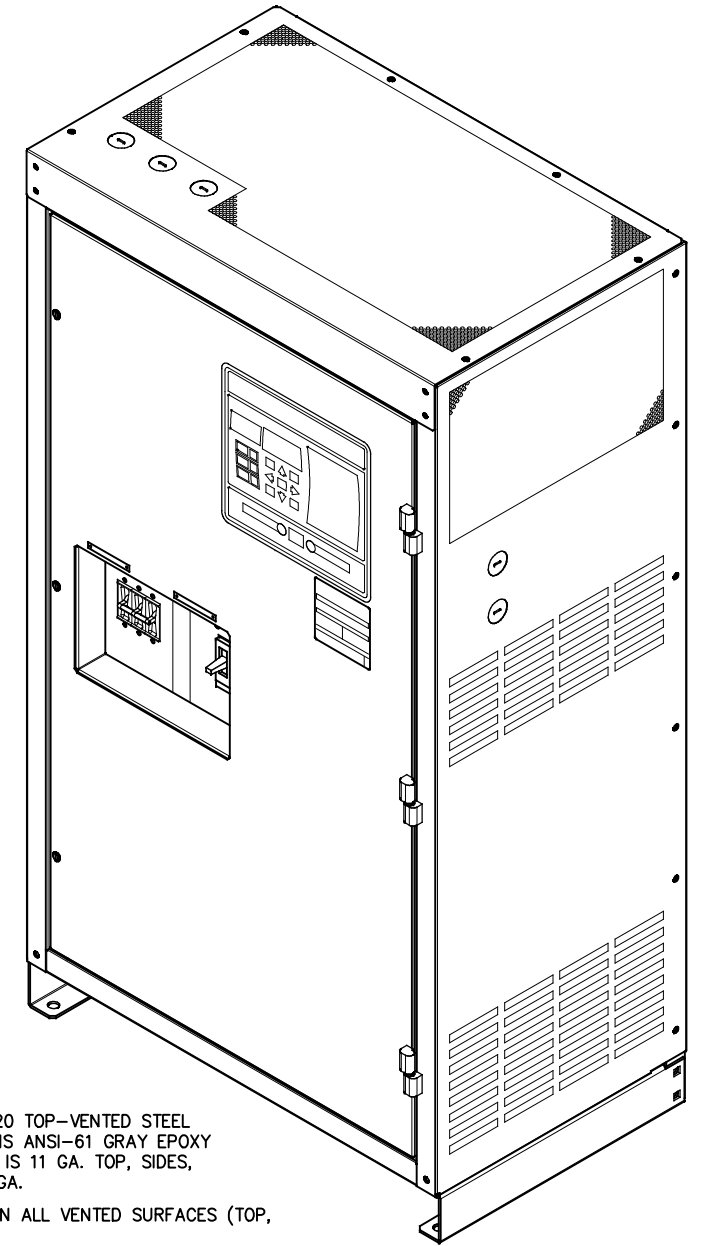
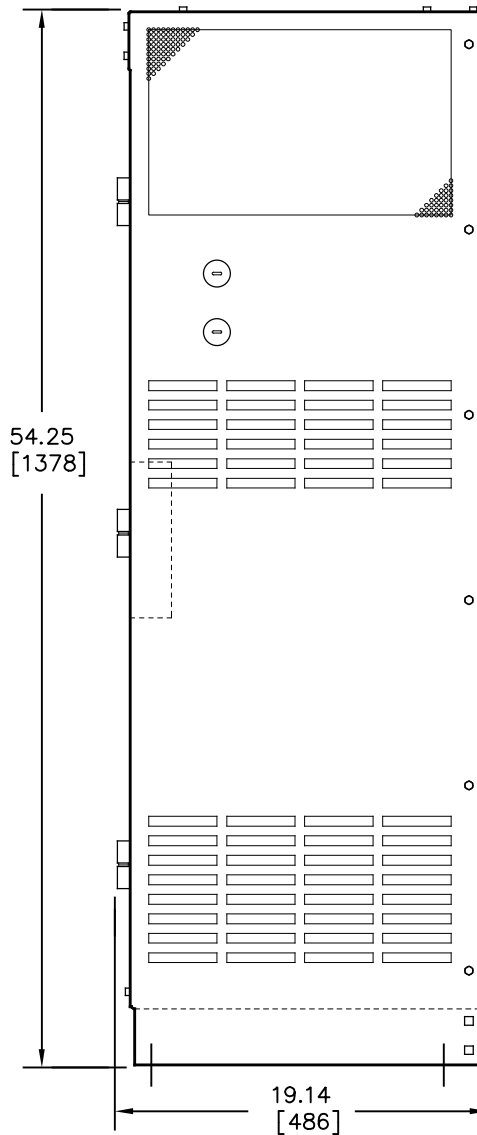
SIDE VIEW



FRONT VIEW

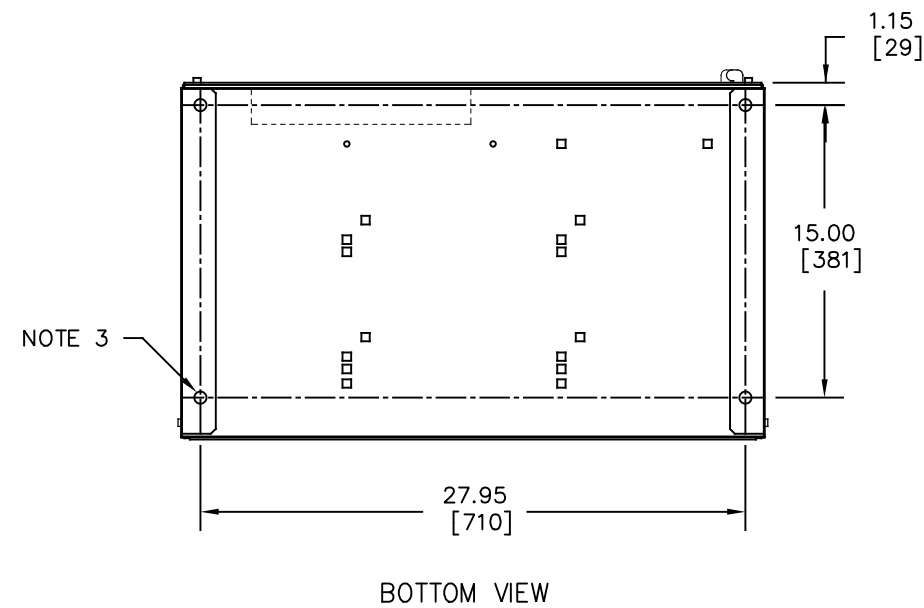


SIDE VIEW



NOTES:

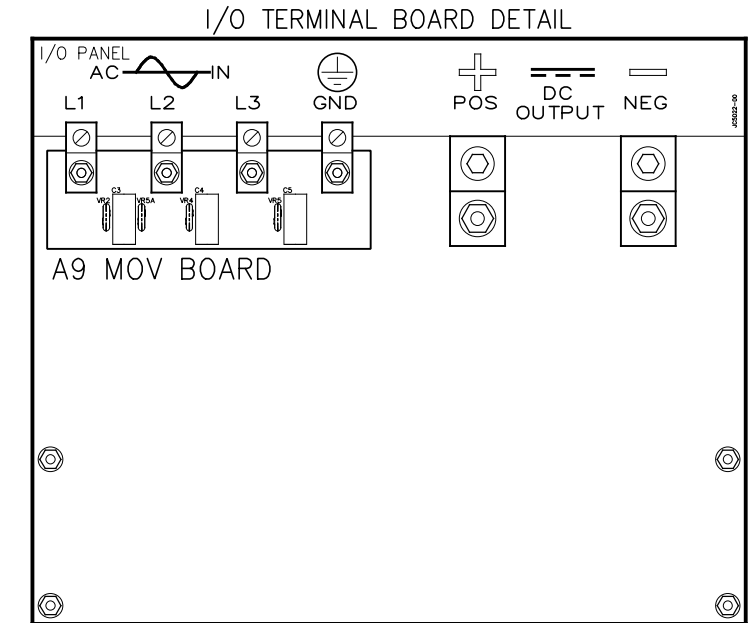
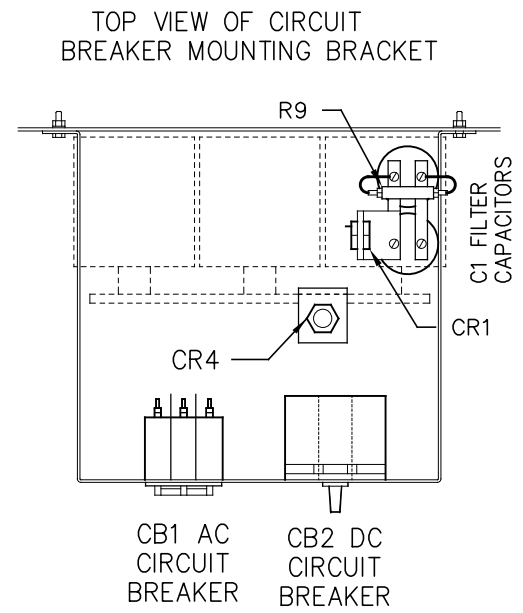
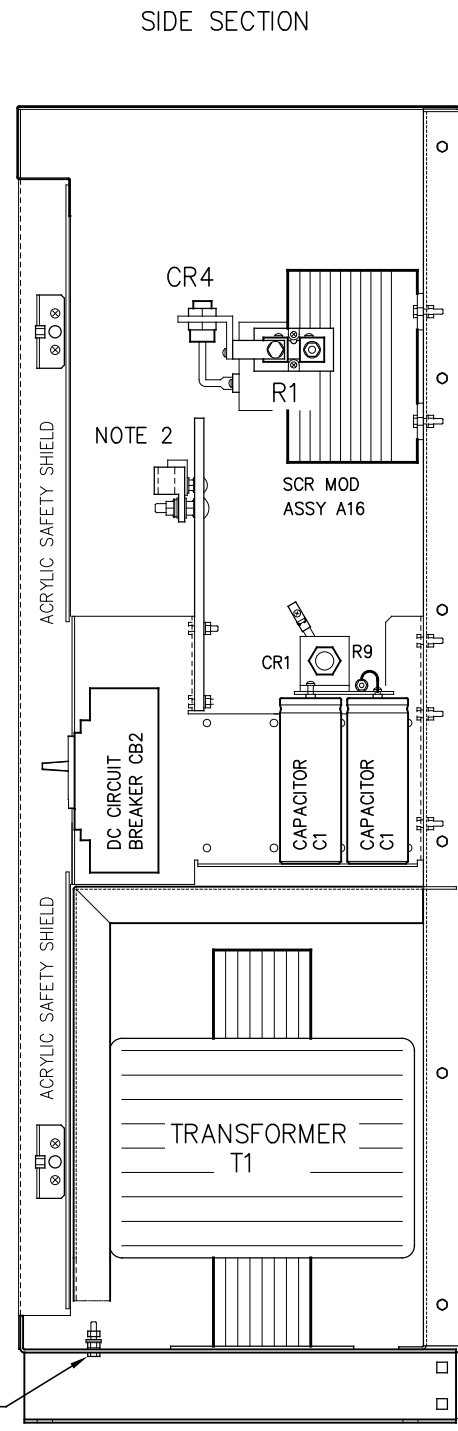
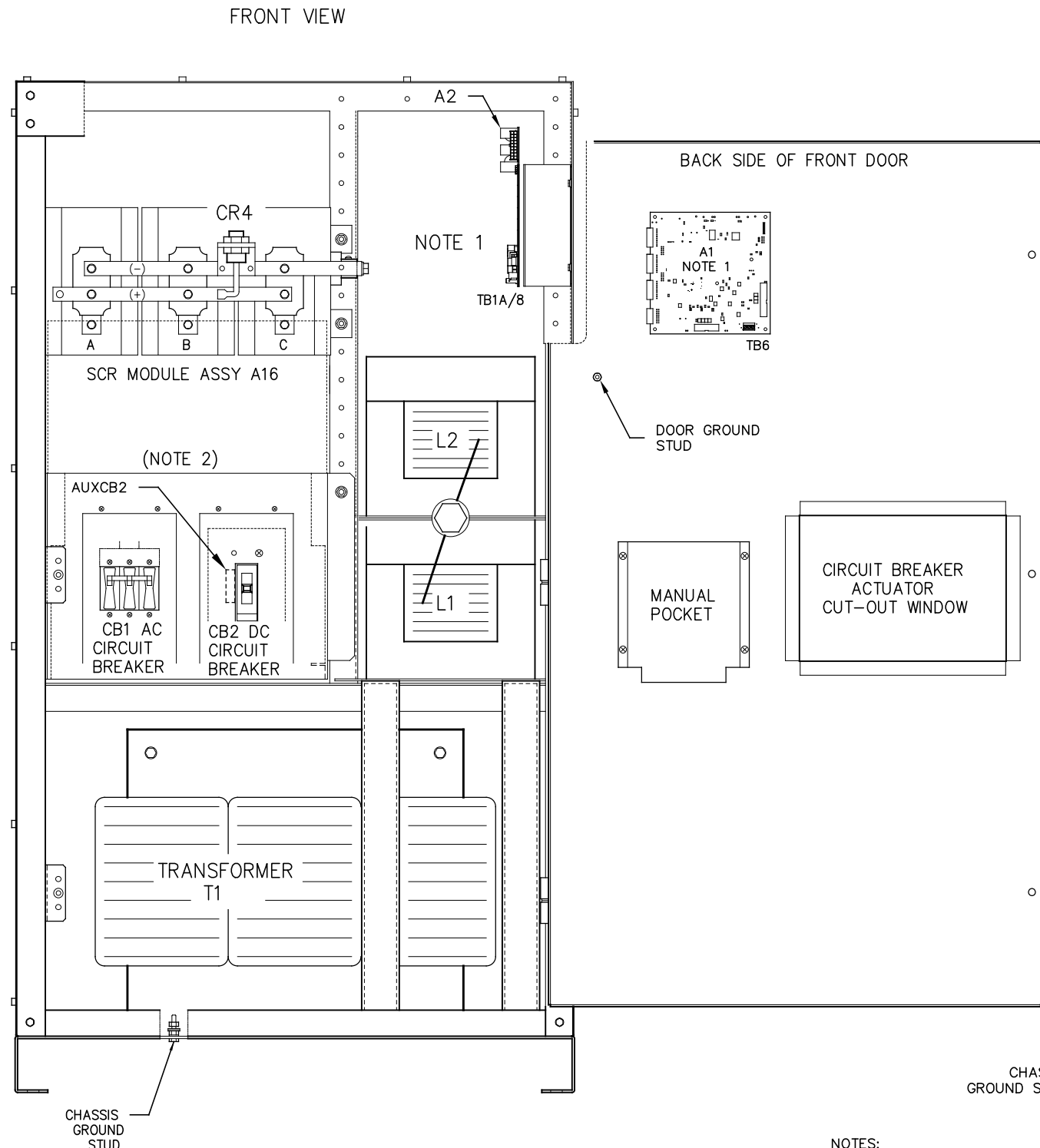
- ENCLOSURE IS A NEMA TYPE 1 / IP20 TOP-VENTED STEEL CABINET WITHOUT GASKETS. FINISH IS ANSI-61 GRAY EPOXY POWDERCOAT. BASE IS 7 GA. FRAME IS 11 GA. TOP, SIDES, AND BACK ARE 16 GA. DOOR IS 14 GA.
- ALLOW 6in / 152mm OF FREE AIR ON ALL VENTED SURFACES (TOP, SIDES & REAR) FOR COOLING.
- FOUR (4) 0.625in / 16mm FLOOR-MOUNTING HOLES ARE PROVIDED ON BOTTOM OF ENCLOSURE AS SHOWN.
- NINE (9) 1.31in / 33mm DIA STANDARD PRE-FAB KEY-SLOT KNOCKOUTS ARE PROVIDED AS SHOWN FOR 1in / 25mm CONDUIT ENTRY. IF ADDITIONAL CONDUIT ENTRANCES ARE REQUIRED, ENCLOSURE SHOULD BE FIELD-MODIFIED BY INSTALLER.
- BATTERY CHARGER SHIPPING WEIGHT: APPROXIMATELY TBD lbs / TBD kg



DUAL DIMENSIONS in mm

REV. 0	DRN BY KJB	CHK BY MCR	APP BY MCR	DATE 10/26/2021	DRN BY KJB	DATE 10/26/2021	TITLE ATEVO 3PH BATTERY CHARGER OUTLINE: NEMA-1 STYLE-5030 ENCL 3φ W/O OPTIONS 125-300A	SCALE NTS	DWG No JE5337-04	REV 0	SHEET 1 OF 1
DESCRIPTION STANDARD DRAWINGS.					CHK BY MCR	DATE 10/26/2021					
ECN NO. N/A					CHK BY MCR	DATE 10/26/2021					
								B			

SYM	STANDARD COMPONENT DESCRIPTION
A1	MAIN CONTROL PC BOARD
A2	THREE PHASE POWER BOARD
A9	MOV PC BOARD
A16	6-PULSE SCR MODULE HEATSINK ASSY
C1x	DC OUTPUT FILTER CAPACITOR
CB1	AC INPUT CIRCUIT BREAKER (CD3)
CB2	DC OUTPUT CIRCUIT BREAKER (Hx2)
AUXCB2	DC CKT BKR (CB2) AUXILIARY CONTACTS
CR1	POLARITY DIODE
CR4	FREE-WHEELING DIODE
L1	MAIN INDUCTOR
L2	FILTER INDUCTOR
R1	MAIN DC SHUNT, NEG(-) BUS
R9	FILTER CAP (C1) BLEED RESISTOR
T1	POWER ISOLATION TRANSFORMER
TB1A	REMOTE SENSE (A2)
TB6	SUMMARY ALARM CONTACTS
TB8	TEMPCO PROBE TERMINAL BLOCK

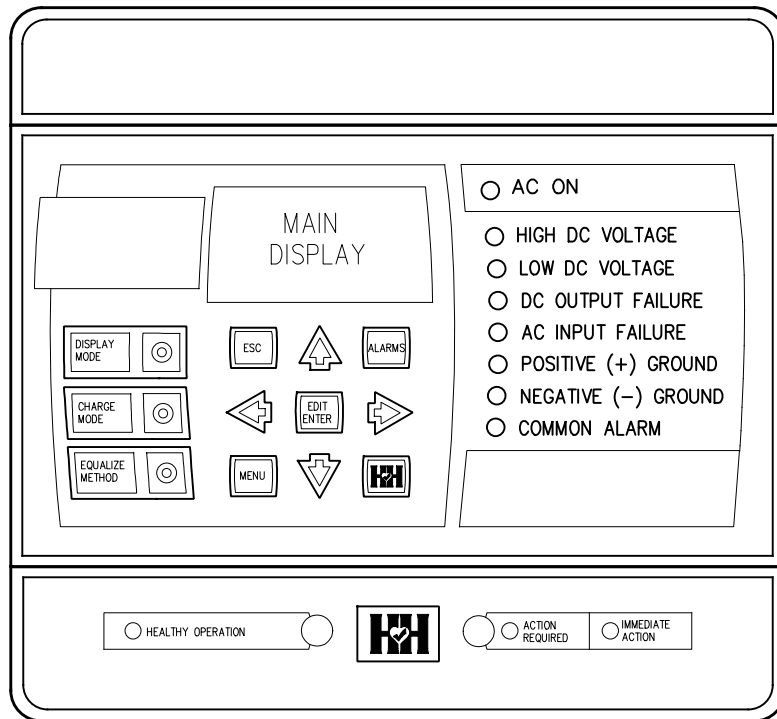


- NOTES:
- FOR DETAIL VIEWS OF ALL PC BOARDS (A1, A2, A4, A12, A22, etc.) SEE DRAWING JE5339-04
 - I/O PANEL TERMINAL BOARD NOT SHOWN FOR CLARITY OF VIEW. SEE DETAIL TO RIGHT.

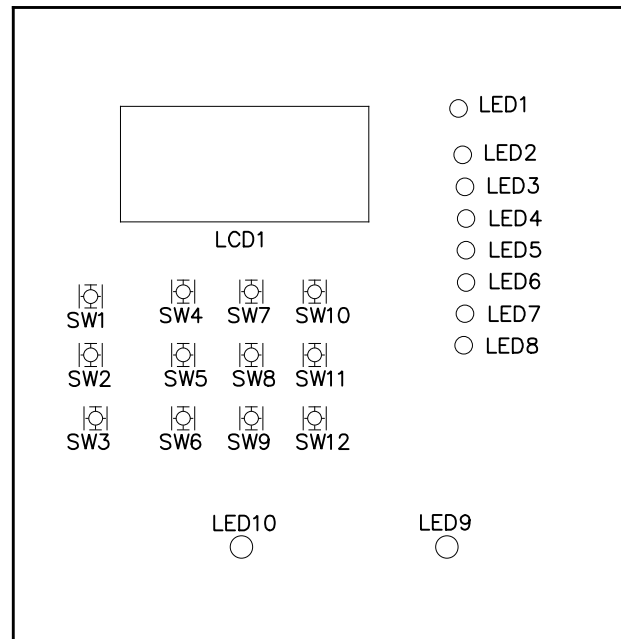
I/O TERMINAL	DESCRIPTION - TYPE	CONNECTION
I/O(+/-)	POS/NEG DC OUTPUT TERMS - CU-ALUMINUM COMPRESSION LUG	#6 AWG-350 MCM
I/O-GND	USER GROUND TERMINAL - CU-ALUMINUM COMPRESSION LUG	#14-1/0 AWG
I/O-L1/L2/L3	AC INPUT TERMINALS - CU-ALUMINUM COMPRESSION LUG	#14-1/0 AWG
(A1) TB6	SUMMARY ALARM TERMINAL BLOCK (A1) - SOLDERLESS COMPRESSION SCREW	#22-14 AWG
(A2) TB1	POS/NEG REMOTE SENSE TERMS (A2) - SOLDERLESS COMPRESSION SCREW	#22-14 AWG
(A2) TB8	TEMPCO PROBE (A10) TERM BLK - SOLDERLESS COMPRESSION SCREW	#22-14 AWG

REV. 0	DRN BY KJB	CHK BY MCR	APP BY MCR	DATE 10/26/2021	DRN BY KJB	DATE 10/26/2021
DESCRIPTION STANDARD DRAWINGS.					CHK BY MCR	DATE 10/26/2021
ECN NO. N/A					CHK BY MCR	DATE 10/26/2021

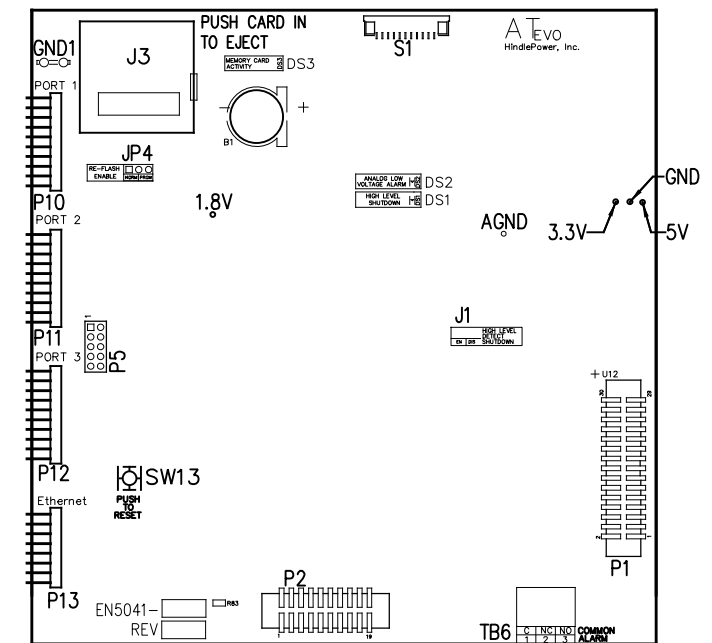
TITLE			ATEVO 3PH BATTERY CHARGER INTERNAL COMPONENT LAYOUT: STYLE-5030 3φ W/O OPTIONS 125-300A		
B	SCALE NTS	DWG No	JE5338-04		
REV 0A	SHEET 1 OF 1				



CONTROL PANEL
(PART No. FK5047-00)



MAIN CONTROL PC BOARD (A1)
FRONT VIEW – FACING CHARGER DOOR WHEN INSTALLED



MAIN CONTROL PC BOARD (A1)
BACK VIEW – FACING CHARGER COMPONENTS WHEN INSTALLED

NOTE: ALL ALARM CONTACTS ARE ENERGIZED WHEN IN THE NON-ALARM STATE (FAIL SAFE). ALL ALARM CONTACTS WILL CHANGE STATE WHEN CHARGER IS POWERED DOWN. CONTACT RATING IS 0.5A @ 125VAC/VDC RESISTIVE.

I/O TERMINAL	DESCRIPTION – TYPE	CONNECTION
(A1) TB6	SUMMARY ALARM TERMINAL BLOCK (A1) – SOLDERLESS COMP SCREW	#22-14 AWG

MAIN CONTROL PC BOARD (A1)

INDICATOR LIGHTS (LEDs):

- LED1 – GREEN – AC ON
- LED2 – RED – HIGH DC VOLTAGE ALARM
- LED3 – RED – LOW DC VOLTAGE ALARM
- LED4 – RED – DC OUTPUT FAILURE ALARM
- LED5 – RED – AC INPUT FAILURE ALARM
- LED6 – RED – POSITIVE (+) GROUND ALARM
- LED7 – RED – NEGATIVE (-) GROUND ALARM
- LED8 – RED – COMMON ALARM
- LED9 – RED – ACTION REQUIRED ALARM
- LED10 – GREEN – HEALTHY OPERATION
- DS1 – RED – HIGH LEVEL SHUTDOWN (HLD)
- DS2 – RED – ANALOG LOW VOLTAGE ALARM (LLD)
- DS3 – RED – MEMORY CARD ACTIVITY

JUMPERS:

- J1 – ANALOG HIGH VOLTAGE SHUTDOWN JUMPER
 - J3 – SD CARD PORT
 - JP4 – RE-FLASH (FIELD PROGRAMMING) JUMPER
- TERMINAL BLOCKS:**
- TB6 – COMMON ALARM RELAY CONTACTS
- TEST POINTS:**
- 1.8V – 1.8 VOLTS
 - 3.3V – 3.3 VOLTS
 - 5V – 5.0 VOLTS
 - GND – GROUND
 - AGND – ANALOG GROUND
 - SDA – MAIN BOARD 12C DATA
 - SCL – MAIN BOARD 12C CLOCK

SWITCHES:

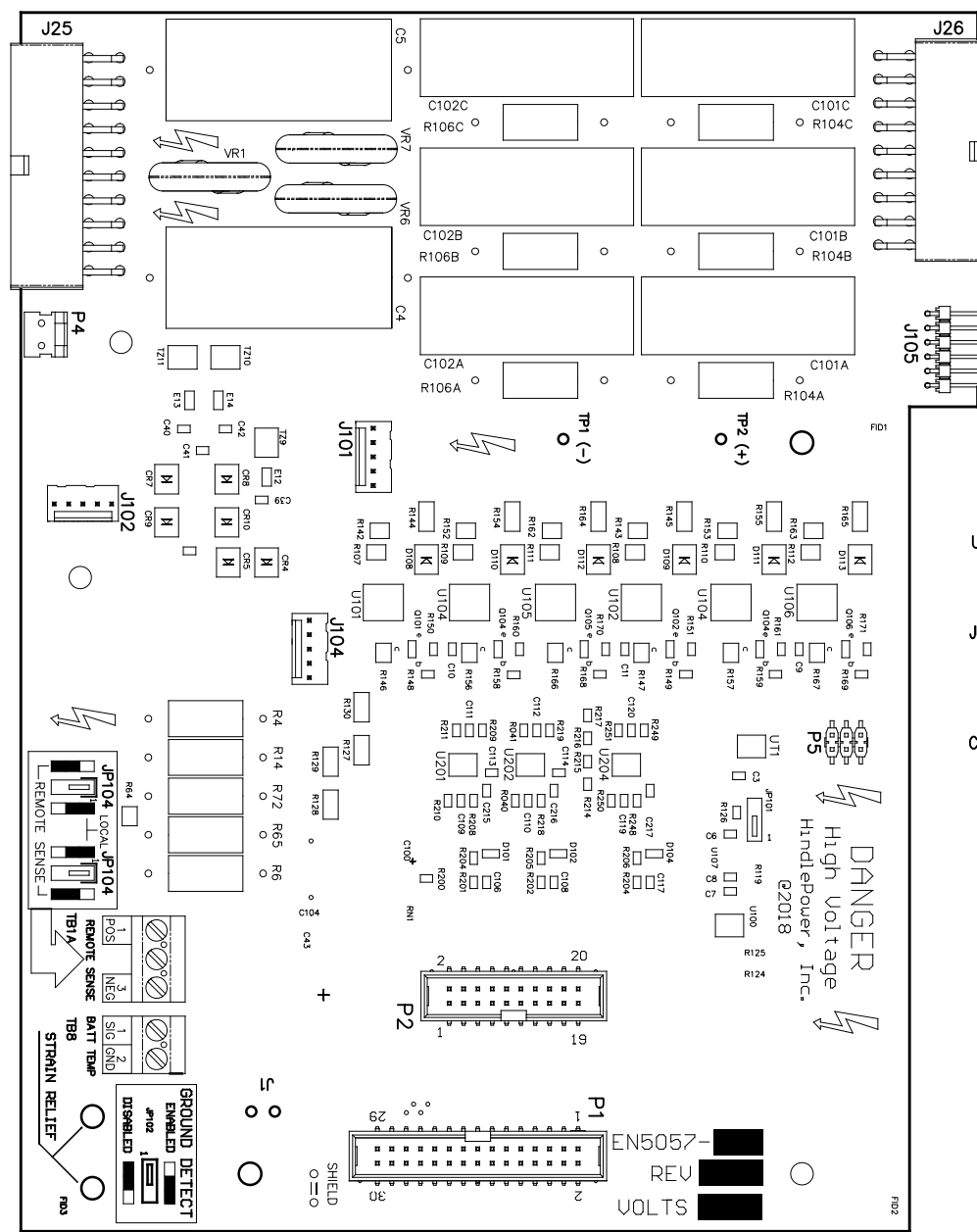
- S1 – DISPLAY BUTTON
- S2 – CHARGE MODE BUTTON
- S3 – EQUALIZE METHOD BUTTON
- S4 – ESCAPE (ESC) BUTTON
- S5 – LEFT ARROW BUTTON
- S6 – MENU BUTTON
- S7 – UP ARROW BUTTON
- S8 – EDIT / ENTER BUTTON
- S9 – DOWN ARROW BUTTON
- S10 – ALARM BUTTON
- S11 – RIGHT ARROW BUTTON
- S12 – HINDLE HEALTH (HHS) BUTTON
- S13 – SYSTEM RESET BUTTON (BACK OF BOARD)

CONNECTORS:

- P1 – POWER BOARD RIBBON
- P2 – 3 PHASE RECTIFIER RIBBON
- P3 – USB EXPANSION PORT
- P4 – SPI & I2C EXPANSION PORT #1
- P5 – SPI & I2C EXPANSION PORT #2
- P6 – DISPLAY SPI PORT
- P7 – DISPLAY JTAG PORTS
- P10 – SERIAL INTERFACE PORT #1
- P11 – SERIAL INTERFACE PORT #2
- P12 – SERIAL INTERFACE PORT #3
- P13 – ETHERNET INTERFACE PORT
- P17 – GENERAL EXPANSION PORT

REV.	DRN BY	CHK BY	APP BY	DATE	DRN BY	DATE:
0	KJB	MCR	MCR	10/26/2021	KJB	10/26/2021
DESCRIPTION				STANDARD DRAWINGS.	CHK BY	DATE:
ECN NO. N/A				MCR	10/26/2021	
				CHK BY	DATE:	
				MCR	10/26/2021	

TITLE		REV	SHEET
ATEVO 3PH BATTERY CHARGER CONTROL PANEL / PC BOARD DETAIL 3Ø W/O OPTIONS 125-300A		0	1 OF 2
B	SCALE NTS	DWG No	JE5339-04

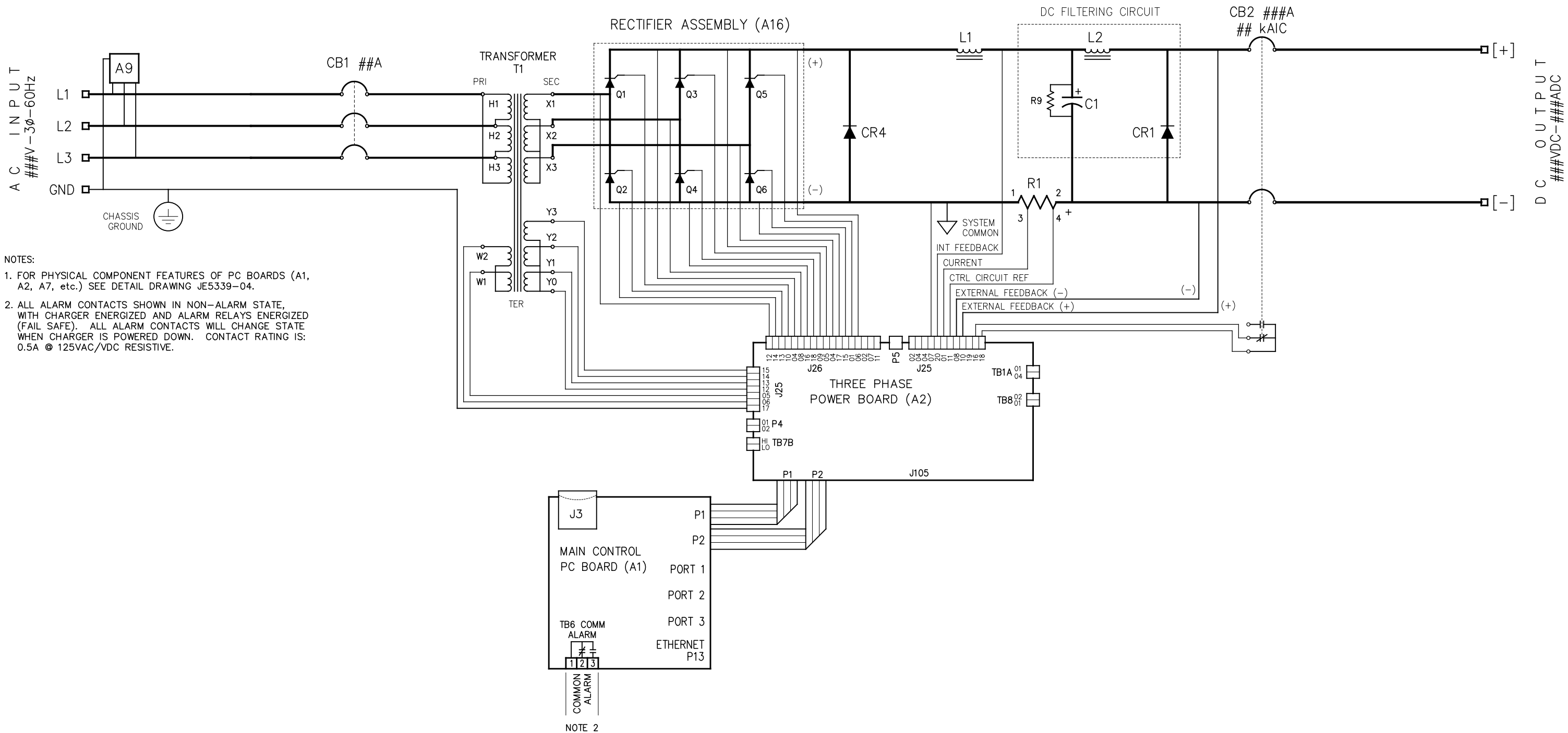


- USER TERMINALS ON POWER BOARD (A2):**
 TB1 - REMOTE VOLTAGE SENSE
 TB8 - BATTERY TEMPERATURE COMPENSATION
- JUMPERS ON POWER BOARD (A2):**
 JP102 - GROUND DETECT CIRCUIT ENABLE / DISABLE
 JP104 - REMOTE OR LOCAL SENSE SELECTOR (+)
 JP104 - REMOTE OR LOCAL SENSE SELECTOR (-)
- CONNECTORS ON POWER BOARD (A2):**
 J1 - POWER OUT
 J25 - MAIN CONTROL SIGNAL HARNESS
 J26 - SCR FIRING CONTROL HARNESS
 J101 - DC POWER SUPPLY
 J102 - DC POWER SUPPLY
 J104 - BATTERY SHUNT
 J105 - AUXILIARY I/O BOARD
 P1 - MAIN CONTROL BOARD RIBBON 1
 P2 - MAIN CONTROL BOARD RIBBON 2
 P4 - CB1 AUX
 P5 - RECTIFIER TEMP SENSOR INTERFACE
- TEST POINTS ON POWER BOARD (A2):**
 TP1 - PRE-FILTERED DC BUS (-)
 TP2 - PRE-FILTERED DC BUS (+)

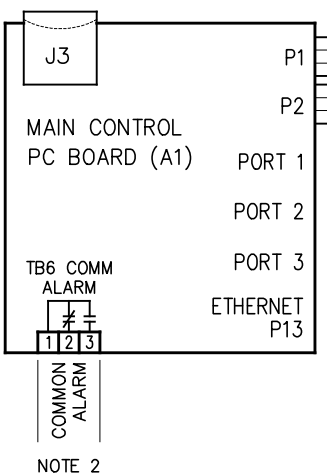
POWER BOARD (A2)

I/O TERMINAL	DESCRIPTION - TYPE	CONNECTION
(A2) TB1A	POS/NEG REMOTE SENSE TERMS (A2) - SOLDERLESS COMPRESSION SCREW	#22-14 AWG
(A2) TB8	TEMPCO PROBE (A10) TERM BLK - SOLDERLESS COMPRESSION SCREW	#22-14 AWG

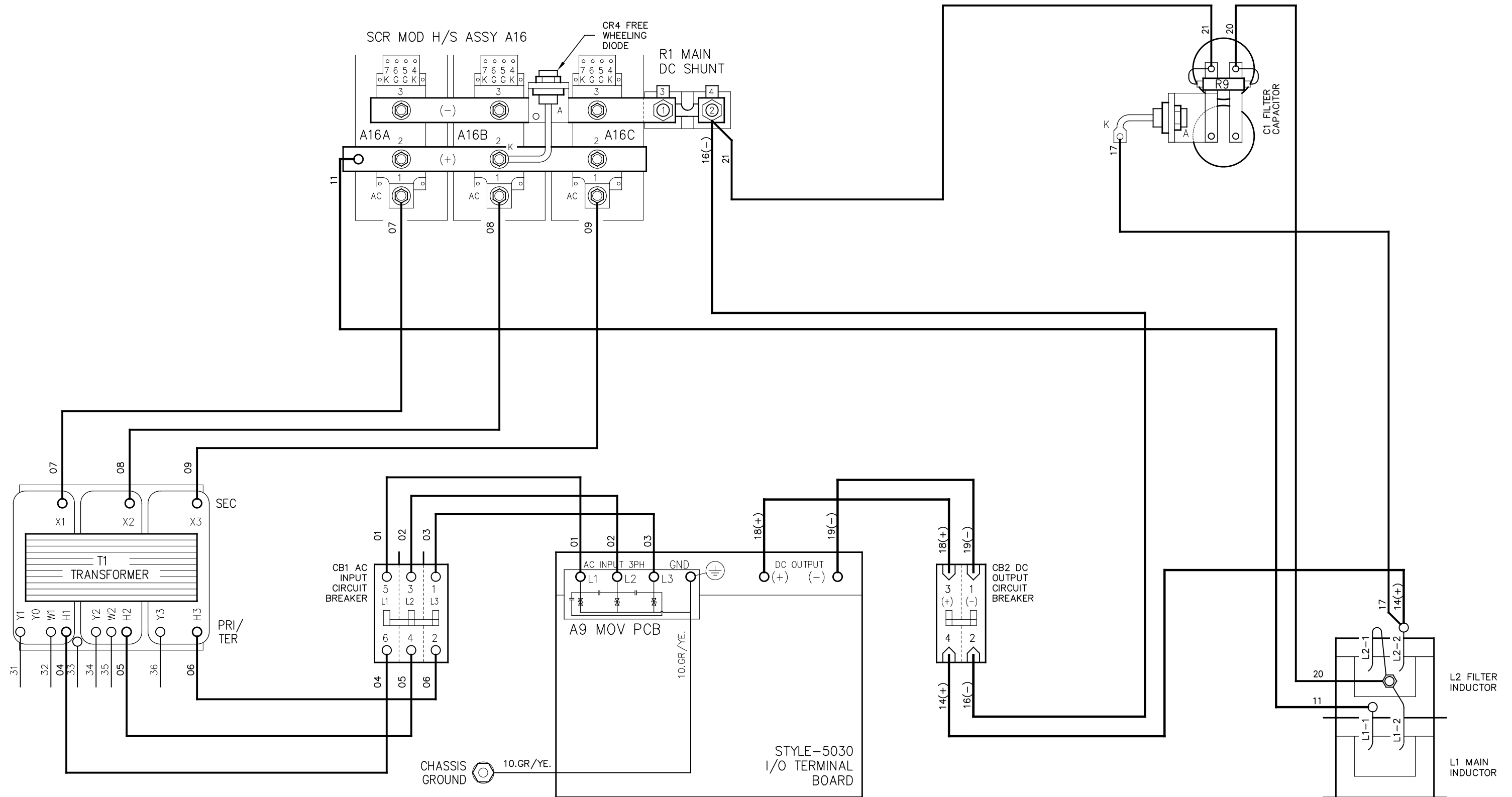
DRN BY KJB	DATE: 10/26/2021	TITLE ATEVO BATTERY CHARGER CONTROL PANEL / PC BOARD DETAIL 3Ø W/O OPTIONS 125-300A	SCALE NTS	DWG No JE5339-04	REV 0	SHEET 2 OF 2
CHK BY MCR	DATE: 10/26/2021					
CHK BY MCR	DATE: 10/26/2021					
		B				



- NOTES:
1. FOR PHYSICAL COMPONENT FEATURES OF PC BOARDS (A1, A2, A7, etc.) SEE DETAIL DRAWING JE5339-04.
 2. ALL ALARM CONTACTS SHOWN IN NON-ALARM STATE, WITH CHARGER ENERGIZED AND ALARM RELAYS ENERGIZED (FAIL SAFE). ALL ALARM CONTACTS WILL CHANGE STATE WHEN CHARGER IS POWERED DOWN. CONTACT RATING IS: 0.5A @ 125VAC/VDC RESISTIVE.



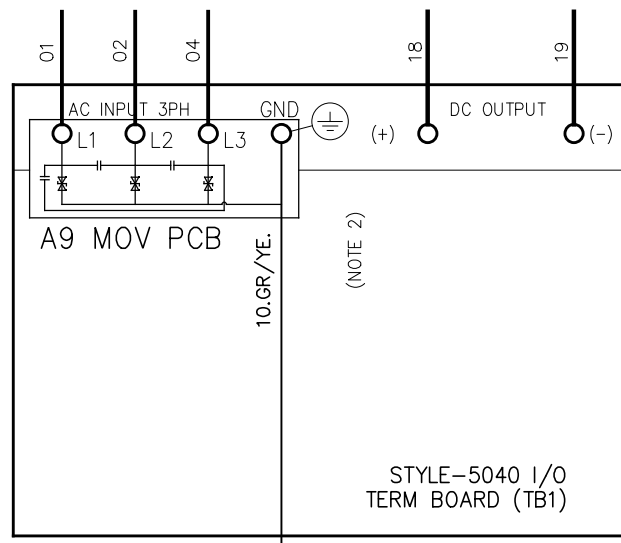
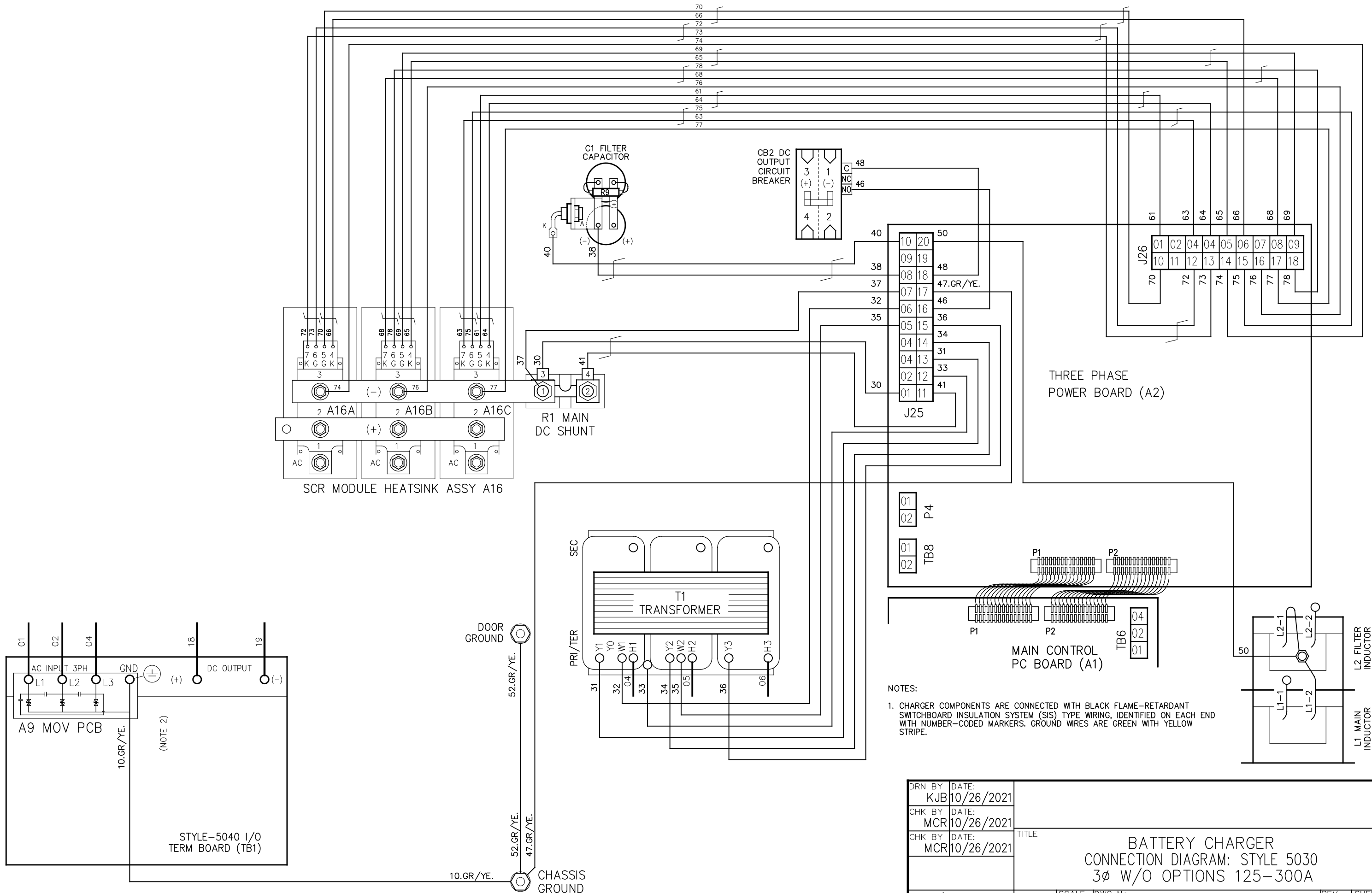
REV. 0	DRN BY KJB	CHK BY MCR	APP BY MCR	DATE 10/26/2021	DRN BY KJB	DATE 10/26/2021	TITLE BATTERY CHARGER SCHEMATIC: STYLE 5030 3φ W/O OPTIONS 125-300A
DESCRIPTION STANDARD DRAWINGS.					CHK BY MCR	DATE 10/26/2021	
ECN NO. N/A					CHK BY MCR	DATE 10/26/2021	
SCALE B DWG No JE5340-04							REV 0 SHEET 1 OF 1



NOTES:

1. CHARGER COMPONENTS ARE CONNECTED WITH BLACK FLAME-RETARDANT SWITCHBOARD INSULATION SYSTEM (SIS) TYPE WIRING, IDENTIFIED ON EACH END WITH NUMBER-CODED MARKERS. GROUND WIRES ARE GREEN WITH YELLOW STRIPE.
2. THIS DRAWING (SHEET 1) SHOWS THE MAINFRAME POWER WIRING AND USER CONNECTION CONTACTS TO CONTROL PC BOARDS (A1 & A2). SEE SHEET 2 FOR ALL CONTROL (SIGNAL) WIRING.

REV. 1	DRN BY KJB	CHK BY MCR	APP BY MCR	DATE 9/11/2023	DRN BY KJB	DATE: 10/26/2021	TITLE BATTERY CHARGER CONNECTION DIAGRAM: STYLE 5030 3φ W/O OPTIONS 125-300A	SCALE NTS	DWG No JE5341-04	REV 1	SHEET 1 OF 2
DESCRIPTION					CHK BY MCR	DATE: 10/26/2021					
REVISED T1 SINGAL WIRING ORDER.					CHK BY MCR	DATE: 10/26/2021					
ECN NO. N/A											



NOTES:
 1. CHARGER COMPONENTS ARE CONNECTED WITH BLACK FLAME-RETARDANT SWITCHBOARD INSULATION SYSTEM (SIS) TYPE WIRING, IDENTIFIED ON EACH END WITH NUMBER-CODED MARKERS. GROUND WIRES ARE GREEN WITH YELLOW STRIPE.

DRN BY KJB	DATE: 10/26/2021
CHK BY MCR	DATE: 10/26/2021
CHK BY MCR	DATE: 10/26/2021

TITLE		BATTERY CHARGER CONNECTION DIAGRAM: STYLE 5030 3φ W/O OPTIONS 125-300A	
SCALE NTS	DWG No JE5341-04	REV 1	SHEET 2 OF 2